

SPECIFICATION OF IMEW650

ITEM	TOUCH SCREEN MONITOR
MODEL	DTS-6570KC
MTREE PRODUCT NO.	IMEW650-L1P91J-UHD-AG
CUSTOMER PRODUCT NO.	-
CUSTOMER	-
DATE	2021. 10. 01

APPROVED BY CLIENT

APPROVED BY MTREE	
APPROVER	
REVIEWER	
PROPOSER	

CONTENTS

1. DOCUMENT REVISION HISTORY	3
2. MONITOR SPECIFICATIONS.....	4
3. TOUCH SPECIFICATIONS	4
4. MECHANICAL SPECIFICATIONS.....	5
5. OSD FUNCTIONS	5
6. SUPPORTED INPUT TIMINGS	6
7. CONNECTOR INTERFACE	7
8. INTERFACE CONNECTOR.....	7
9. ENVIRONMENTAL CONDITIONS.....	8
10.ELECTRICAL SPECIFICATIONS	8
11.STANDARD	8
12.DRAWING SPECIFICATIONS.....	9
13.LABEL INFORMATIONS	10
14.PACKING SPECIFICATIONS.....	11
15.REMOTE CONTROL	12

1. DOCUMENT REVISION HISTORY

Date	Rev. No	Page	Description
2021.10.01	0.1		

2. MONITOR SPECIFICATIONS

ITEMS		SPECIFICATION
Panel	Screen Diagonal	64.53inch
	Active Display Area	1428.48 x 803.52mm
	Display Type	Transmissive mode, Normally black
	Max. Resolution	3,840 x 2,160
	Display Colors	1.07B Colors, 10Bits(D)
	Pixel Pitch	0.372 x 0.372mm
	Brightness	500 cd/m ² (Typ.)
	Contrast Ratio	1100 : 1 (Typ.)
	Response Time (G to G)	8ms (Typ.)
	Viewing Angle	178°(H), 178° (V) Min.
	Lamp Life Time	50,000Hrs (Typ)
Input Video Signal		HDMI 2.0 x3, DP 1.2 x1, VGA, RS232,
Audio	Input/Output	HDMI, DP / Ø3.5 Phone Jack for Headphone, Speaker
	Speaker Output	8Wrms + 8Wrms (± 10%)
Control/OSD		6 KEY (MENU,SOURCE/▲,AUTO/▼,VOL◀,VOL▶,POWER)
Indication LED		Power Off : LED Off , St-by : Red Blinking , Normal : Green
Plug & Play		VESA DDC2B
Power Input		AC 100V~240V (50/60Hz)
Power Management		VESA DPMS

3. TOUCH SPECIFICATIONS

ITEMS	SPECIFICATION
Touch Type	PCAP (Projected Capacitive) EETI Controller
Touch Input Method	Finger
Number of Touch Point	20 Points Multi-Touch
Available Object size	Ø9mm(Finger)
Response Time	25ms
Thickness	4.45mm(Glass : 4mm, Sensor : 0.45mm) AG Etching
Transmittance	84%(Typ.)
Position Accuracy	+/- 1mm (outside 3.5mm from edges) +/- 2mm (within 3.5mm from edges)
Interface	USB 1.1 FS, HID Compliant Plug & Play / RS232 (Option)
Supported OS	Windows 7/8/10, Linux : above kernel Ver.2.4x/2.6x/3.x.x/4.x.x, Android : above Ver.2.3 to 9

4. MECHANICAL SPECIFICATIONS

ITEMS	SPECIFICATION
Outline Dimension (HxVxD)	1511±1.2mm x 886.8±0.8mm x 71±0.3mm(Without Handle)
Weight(Net/ Gross)	67Kg Approx./ 75Kg Approx.
Standard Accessory	HDMI Cable, USB Cable, Power Cord, Remote control
VESA Mount Size	600 400 (mm) ,4-M6

5. FEATURES

CHIPSET	MSD91H1BN2 (MSTAR)		
MARKET AREA	World Wide		
OSD LANGUAGE	30 Languages		
PANEL	Panel Type	LCD, LED 60Hz	
	Interface	V by one 8 lane Interface	
	Max Resolution	3840 x 2160 / 60Hz	
VIDEO INPUT	HDMI	Max. 3840x2160 / 60Hz (HDMI 2.0)	
	DP	Max. 3840x2160 / 60Hz (DP 1.2a)	
	VGA	Max. 1920x1200 / 60Hz	
	USB	Max. 1080P/30fps	
AUDIO INPUT	VGA/DVI Audio	Earphone input (3.5pi)	~0.5 V _{RMS}
AUDIO OUTPUT	Frequency Response	100Hz ~ 15KHz@±3dB (1KHz 0dB reference signal)	
	Max Output	2x8W (8Ω) THD+N<10%@1kHz	
	MEDIA PLAYER	MODE	Photo, Music, Movie, Text,
POWER	Requirement	+5VS, +5VD , +12V	
	Management	Standby Power Consumption < 0.5W	
SERIAL PORT	RS-232C In	D-SUP 9P	
KEY FUNCTION	6 KEY (MENU,SOURCE/▲,AUTO/▼,VOL◀,VOL▶,POWER)		
TERMINALS	INPUT	HDMI (HDMI)	3EA
		DP (DP Jack)	1EA
		VGA (D-SUB 15P)	1EA
		USB (USB-A)	1EA
		Audio In (H/P Jack)	1EA
SPECIAL FEATURES	Color Temp. Mode Selection		3 Mode
	Back Light Control		100 Step
	Aspect Ratio Converter		16:9 , 4:3
	Gamma Mode Selection		2.2/1.8
	Lock Function (OSD/Button/Remocon)		On/Off
	Fan Control		On/Off
	Timer & Run Time		
	Opening Logo		

6. SUPPORTED INPUT TIMINGS**•HDMI, DP**

No	STD	Resolution	Pixel Frequency (MHz)	Vertical Frequency (Hz)	Horizontal Frequency (kHz)	Remark
1	VESA	640*350	31.500	85.080	37.861	
2		640*400	25.175	59.940	31.469	
3	VESA	640*400	31.500	85.080	37.861	
4		640*480	25.175	59.940	31.469	
5	VESA	640*480	25.200	60.000	31.500	
6	VESA	640*480	31.500	72.809	37.861	
7	VESA	640*480	31.500	75.000	37.500	
8	VESA	640*480	36.000	85.008	43.269	
9	IBM	720*400	28.322	70.087	31.469	
10	VESA	720*400	35.500	85.039	37.927	
11	VESA	800*600	36.600	56.250	35.156	
12	VESA	800*600	40.000	60.317	37.879	
13	VESA	800*600	50.000	72.188	48.077	
14	VESA	800*600	49.500	75.000	46.875	
15	VESA	800*600	56.250	85.061	53.674	
16	VESA	1024*768	65.000	60.000	48.363	
17	VESA	1024*768	75.000	70.069	56.476	
18	VESA	1024*768	78.750	75.029	60.023	
19	VESA	1024*768	94.500	84.997	68.677	
20		1152*864	94.500	70.012	63.851	
21	VESA	1152*864	108.000	75.000	67.500	
22		1280*720	74.501	59.856	44.772	
23		1280*768	79.499	59.870	47.776	
24	VESA	1280*960	108.000	60.000	60.000	
25	VESA	1280*960	148.500	85.002	85.938	
26		1360*768	72.000	59.960	47.368	
27		1360*768	109.001	74.892	60.288	
28	VESA	1280*1024	108.000	60.020	63.981	
29	VESA	1280*1024	135.000	75.025	79.976	
30	VESA	1280*1024	157.500	85.024	91.146	

31		1680*1050	146.250	59.954	65.290	
32	VESA	1600*1200	162.000	60.000	75.000	
33		1920*1080	138.500	59.934	66.587	
34		1920*1080	148.500	60.000	67.500	
35		1920*1080	148.352	59.940	67.433	
36		1920*1200	154.125	59.999	74.099	
37		2560*1440	241.625	59.982	88.833	
38		2560*1600	268.627	60.00	98.7	
39		3840*2160	533.25	60.00	133.3	

7. CONNECTOR INTERFACE

ITEMS	DESCRIPTION	
HDMI	HDMI 2.0 x3	
DP	DP 1.2 x1	
PC Audio Input	HDMI, DP	
Headphone Output	3.5 ϕ Stereo Phone Jack	
USB (Touch Interface)	Connector	USB Type 'B' Female
	Power	USB BUS Powered
	Protocol	Human Interface Device(HID)
	Operation	Plug & Play
	Speed	USB 1.1 Full Speed

※Notice 1 : Do not set battery mode or power save mode in computer power option.

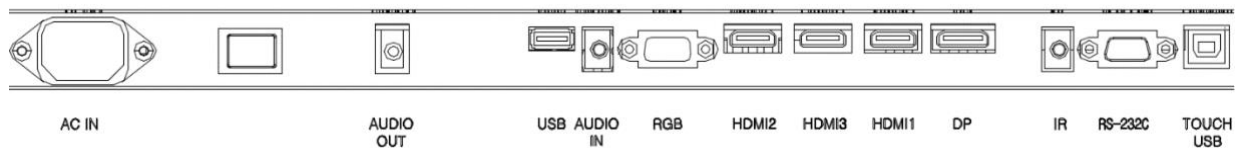
※Notice 2 : The standard of USB communication length is 5M(refer to usb.com)

When you use USB extension Cable, data loss and degradation might be able to be occurred.

In order to minimize data loss and degradation according to USB extension Cable using,

We highly recommend Repeater using to provide external power supply.

8. INTERFACE CONNECTOR



9. ENVIRONMENTAL CONDITIONS

ITEMS	SEPECIFICATION
Operating Temperature	0 ~ 50 °C
Operating Humidity	10 ~ 90% (Non Condensing)
Storage Temperature	-20 ~ 60 °C
Storage Humidity	10 ~ 90% RH(Non Condensing)

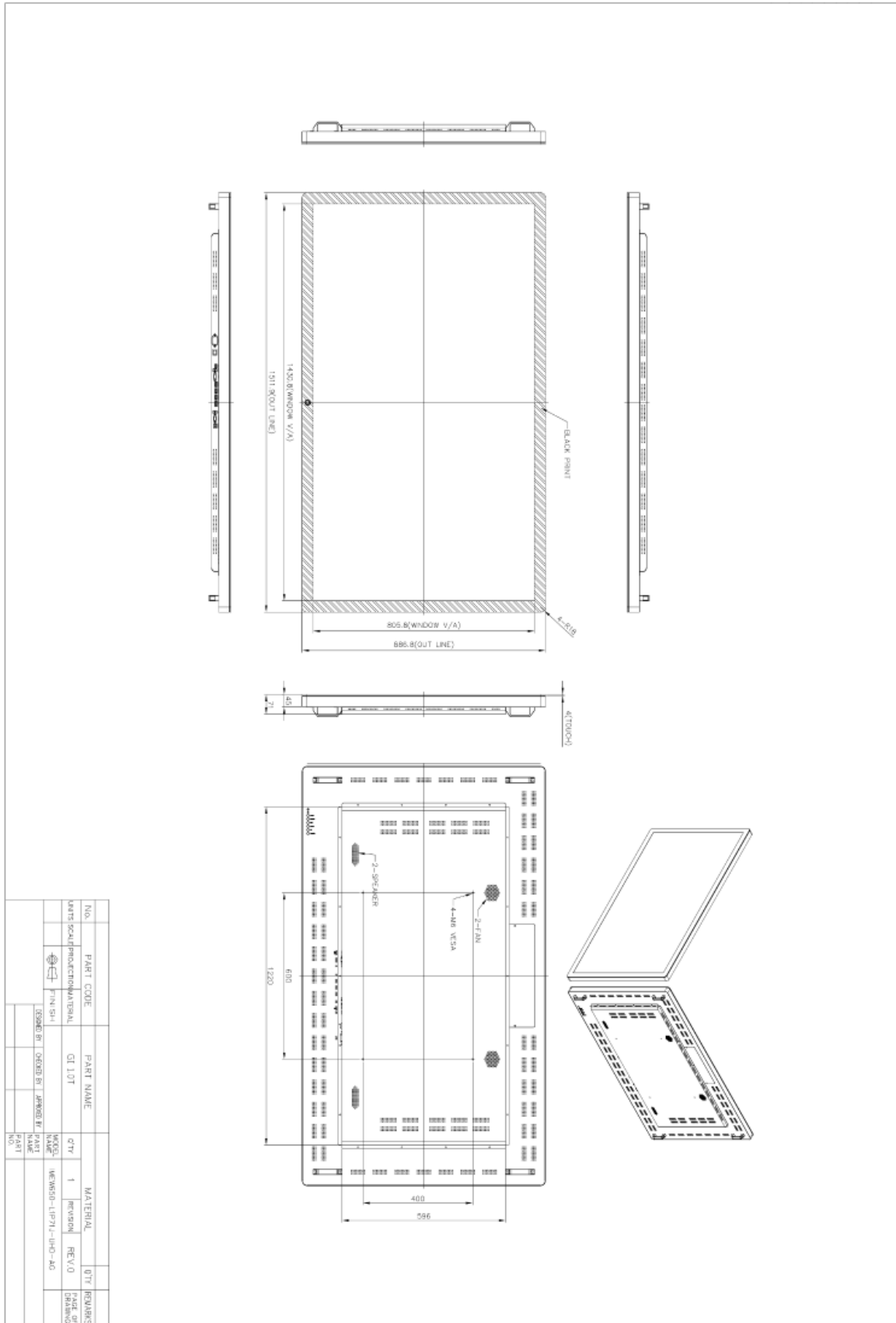
10. ELECTRICAL SPECIFICATIONS

ITEMS	SEPECIFICATION
Power Supply	AC 100V~240V (50/60Hz)
Power Consumption	Max. 2.5A
ESD	TBD

11. STANDARD

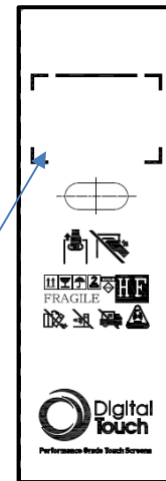
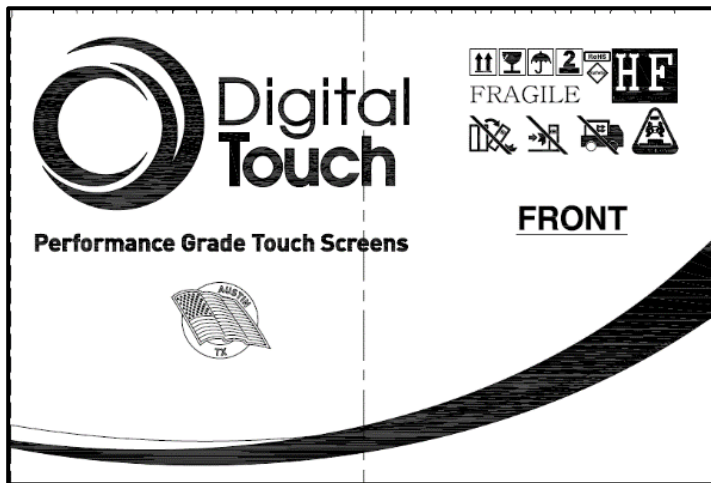
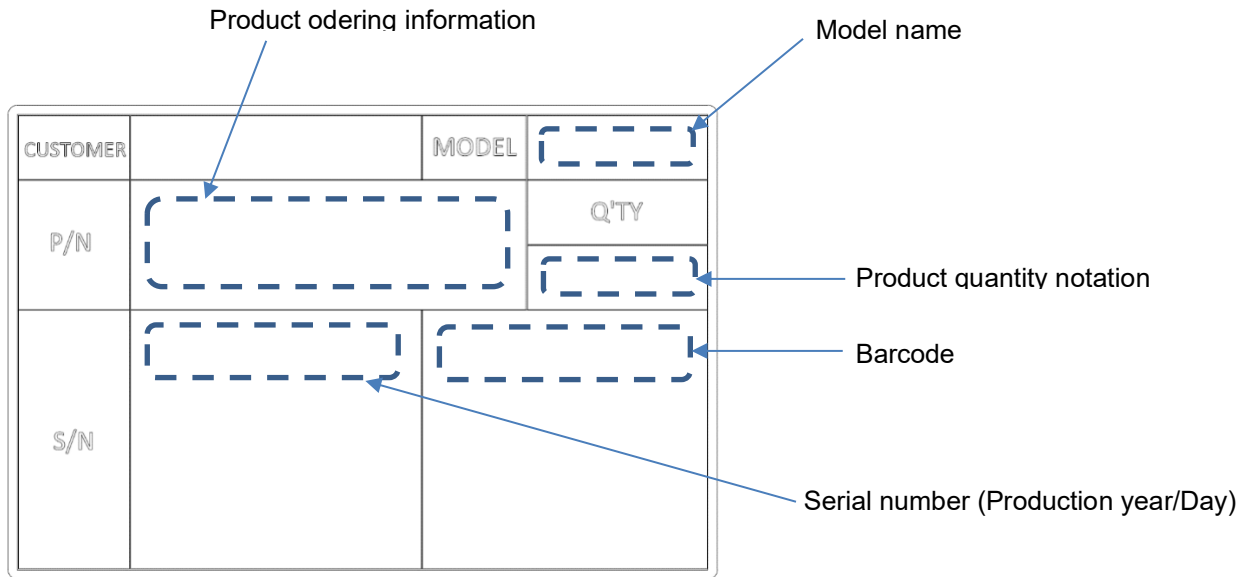
ITEMS	SPECIFICATION
RoHS	TBD
ESD handling	TBD
REACH standard	TBD

12. DRAWING SPECIFICATIONS



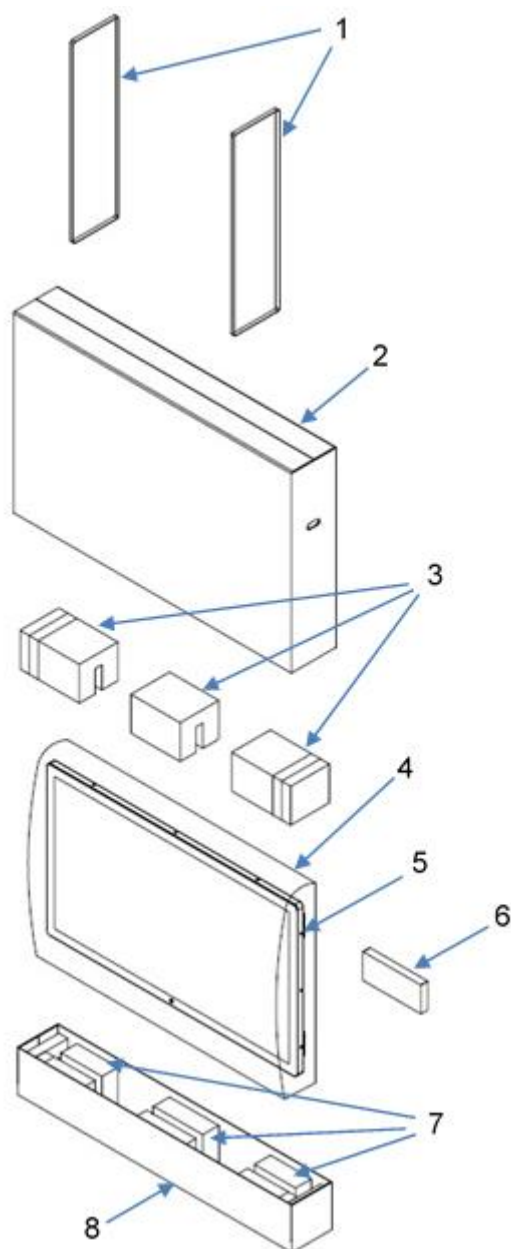
Note: This information is subject to change without prior notice.

13. LABEL INFORMATIONS

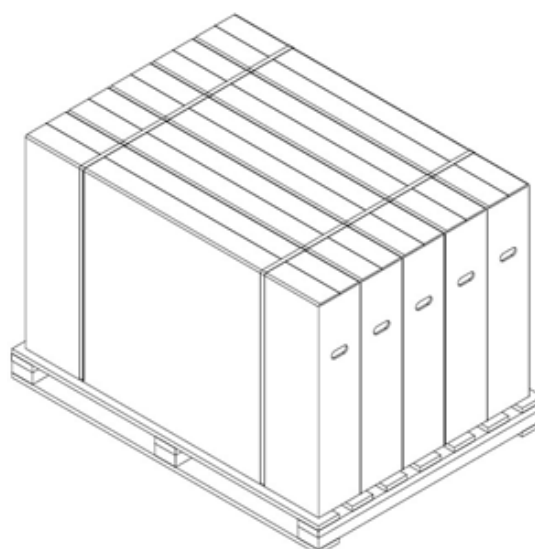


Label the side box

14. PACKING SPECIFICATIONS



NO	DESCRIPTION
1	BAND
2	BOX (TOP)
3	PE FOAM (TOP)
4	LAMI BAG
5	MONITOR
6	ACCESSORY BOX
7	PE FOAM (BOTTOM)
8	BOT (BOTTOM)



Pallet packing size : L)1790 x W)1470 x H)1184

Note: This information is subject to change without prior notice.

15. REMOTE CONTROL

- Use a remote control up to 3 meters distance and 30 degrees (left /right) within the receiving unit scope.
- Format : NEC
- Custom code : 00FF(Hex)

