

# SPECIFICATION OF IMEW240

ITEM	TOUCH SCREEN MONITOR
MODEL	IMEW238-L1P21J-FHD-AG
MTREE PRODUCT NO.	IMEW238-L1P21J-FHD-AG
CUSTOMER PRODUCT NO.	-
CUSTOMER	-
DATE	2021. 10. 01

APPROVED BY CLIENT

APPROVED BY MTREE	
APPROVER	
REVIEWER	
PROPOSER	

## **CONTENTS**

<b>1. DOCUMENT REVISION HISTORY .....</b>	<b>3</b>
<b>2. MONITOR SPECIFICATIONS.....</b>	<b>4</b>
<b>3. TOUCH SPECIFICATIONS .....</b>	<b>4</b>
<b>4. MECHANICAL SPECIFICATIONS.....</b>	<b>5</b>
<b>5. FEATURES .....</b>	<b>5</b>
<b>6. SUPPORTED INPUT TIMINGS .....</b>	<b>6</b>
<b>7. CONNECTOR INTERFACE .....</b>	<b>6</b>
<b>8. INTERFACE DRAWING PACKING SPECIFICATIONS .....</b>	<b>7</b>
<b>9. ENVIRONMENTAL CONDITIONS.....</b>	<b>7</b>
<b>10.ELECTRICAL SPECIFICATIONS .....</b>	<b>7</b>
<b>11.STANDARD .....</b>	<b>7</b>
<b>12.DRAWING SPECIFICATIONS.....</b>	<b>8</b>
<b>13.LABEL INFORMATIONS .....</b>	<b>9</b>
<b>14.PACKING SPECIFICATIONS.....</b>	<b>10</b>
<b>15.REMOTE CONTROL .....</b>	<b>11</b>

---

**1. DOCUMENT REVISION HISTORY**

Date	Rev. No	Page	Description
2021.10.01	0.1		

## 2. MONITOR SPECIFICATIONS

ITEMS		SPECIFICATION
Panel	Screen Diagonal	23.8 inch
	Active Display Area	527.4 x 296.46mm
	Display Type	Transmissive mode, Normally black
	Max. Resolution	1920 x 1080
	Display Colors	1.07B Colors
	Pixel Pitch	0.274 x 0.274mm
	Brightness	250 cd/m <sup>2</sup> (Typ.)
	Contrast Ratio	1000 : 1 (Typ.)
	Response Time (G to G)	14ms (Typ.)
	Viewing Angle	178°(H), 178° (V) Min.
	Lamp Life Time	30,000Hrs (Typ)
Input Video Signal		HDMI 2.0 x1, DVI x1, VGA,
Audio	Input/Output	HDMI, / Ø3.5 Phone Jack for Headphone, Speaker
	Speaker Output	2Wrms + 2Wrms (± 10%)
Control/OSD		MENU/SELECT, ◀/▼, ▶/▲, AUTO/EXIT, POWER
Indication LED		Power Off : LED Off , St-by : Red Blinking , Normal : Green
Plug & Play		VESA DDC2B
Power Input		DC 12V ADAPTRO
Power Management		VESA DPMS

## 3. TOUCH SPECIFICATIONS

ITEMS	SPECIFICATION
Touch Type	PCAP (Projected Capacitive) ILITEK Controller
Touch Input Method	Finger
Number of Touch Point	10 Points Multi-Touch
Available Object size	Ø9mm(Finger)
Response Time	25ms
Thickness	3.45mm(Glass : 3mm, Sensor : 0.45mm) AG Etching
Transmittance	84%(Typ.)
Position Accuracy	+/- 1mm (outside 3.5mm from edges) +/- 2mm (within 3.5mm from edges)
Interface	USB 1.1 FS, HID Compliant Plug & Play / RS232 (Option)
Supported OS	Windows 7/8/10, Linux : above kernel Ver.2.4x/2.6x/3.x.x/4.x.x, Android : above Ver.2.3 to 9

#### 4. MECHANICAL SPECIFICATIONS

ITEMS	SPECIFICATION
Outline Dimension (HxVxD)	585.42±1.2mm x 355.4±0.8mm x 40.5±0.3mm(Without Handle)
Weight(Net/ Gross)	22 kg Approx./ 24kg Approx. ( 3 SET )
Standard Accessory	HDMI Cable, USB Cable, Power Cord
VESA Mount Size	100 x 100 (mm) ,4-M4

#### 5. FEATURES

Menu Controls			
	Item	Adjust	Remark
LUMINANCE	Brightness	0-100	
	Contrast	0-100	
	Gamma	ON/OFF	
	DCR	OFF/DCR/DBC	
PICTURE(D-SUB Only)	PHASE	0~100	
	CLOCK	0-100	
	H.POSITION	0~100	
	V.POSITION	0~100	
COLOR	Color temperature	6500K,7500K,8200K,9300K, 11500K,sRGB,User Define	
	Red	0~100	
	Green	0~100	
	Blue	0~100	
OSD setting	Horizontal	0~100	
	Vertical	0~100	
	Transparente	0~4	
	OSD TIMER	15(5~60Sec)	
Setup	LANGUAGE	English (English/Italian/French/Spanish/German/Portuguese /Russian/Chinese)	
	Mute	OFF(OFF/ON)	
	input	D-SUB/DVI/HDMI	
	Display Size	4:3/Full Screen	
	Reset	No/Yes	

Hardware Controls	
Power Switch	Sub Power Switch
LED	<b>Power/ Operation Lamp</b> : Green,
Controls Switch	MENU/SELECT, ◀/▼, ▶/▲, AUTO/EXIT, POWER

## 5. SUPPORTED INPUT TIMINGS

### •HDMI, DVI, VGA(Analog RGB)

No.	STD	Resolution	Pixel Frequency (MHz)	Vertical Frequency (Hz)	Horizontal Frequency (KHz)	Remark
1	VESA	640*350	31.500	85.080	37.861	
2		640*400	25.175	59.940	31.469	
3	VESA	640*400	31.500	85.080	37.861	
4		640*480	25.175	59.940	31.469	VGA
5	VESA	640*480	25.200	60.000	31.500	VGA
6	VESA	640*480	31.500	72.809	37.861	VGA
7	VESA	640*480	31.500	75.000	37.500	VGA
8	VESA	640*480	36.000	85.008	43.269	VGA
9	IBM	720*400	28.322	70.087	31.469	
10	VESA	720*400	35.500	85.039	37.927	
11	VESA	800*600	36.000	56.250	35.156	SVGA
12	VESA	800*600	40.000	60.317	37.879	SVGA
13	VESA	800*600	50.000	72.188	48.077	SVGA
14	VESA	800*600	49.500	75.000	46.875	SVGA
15	VESA	800*600	56.250	85.061	53.674	SVGA
16	VESA	1024*768	65.000	60.000	48.363	XGA
17	VESA	1024*768	75.000	70.069	56.476	XGA
18	VESA	1024*768	78.750	75.029	60.023	XGA
19	VESA	1024*768	94.500	84.997	68.677	XGA
20		1152*864	94.500	70.012	63.851	
21	VESA	1152*864	108.000	75.000	67.500	
22		1280*720	74.501	59.856	44.772	WXGA
23		1280*768	79.499	59.870	47.776	WXGA
24	VESA	1280*960	108.000	60.000	60.000	WXGA
25	VESA	1280*960	148.500	85.002	85.938	WXGA
26		1360*768	72.000	59.960	47.368	WXGA
27		1360*768	109.001	74.892	60.288	WXGA
28	VESA	1280*1024	108.000	60.020	63.981	SXGA
29	VESA	1280*1024	135.000	75.025	79.976	
30	VESA	1280*1024	157.500	85.024	91.146	
31		1680*1050	146.250	59.954	65.290	WSXGA+
32	VESA	1600*1200	162.000	60.000	75.000	UXGA
33		1920*1080	138.500	59.934	66.587	
34		1920*1080	148.500	60.000	67.500	1080P
35		1920*1080	148.352	59.940	67.433	1080P

## 6. CONNECTOR INTERFACE

ITEMS	DESCRIPTION
<b>HDMI</b>	HDMI A type Female
<b>DVI</b>	DVI-I Dual-Link (Only Support DVI-D Dual-Link Signal)
<b>VGA(Analog RGB)</b>	D-SUB 15pin Female
<b>Audio Input/Output</b>	Φ3.5 Phone Jack for Line-In & Headphone

<b>USB (Touch Interface)</b>	Connector	USB Type 'B' Female
	Power	USB Powered
	Protocol	Human Interface Device(HID)
	Operation	Plug & Play
	Speed	USB 1.1 Full Speed

※Notice 1 : Do not set battery mode or power save mode in computer power option.

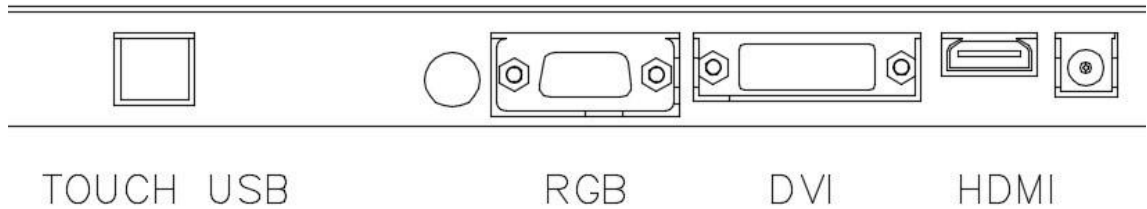
※Notice 2 : The standard of USB communication length is 5M(refer to usb.com)

When you use USB extension Cable, data loss and degradation might be able to be occurred.

In order to minimize data loss and degradation according to USB extension Cable using,

We highly recommend Repeater using to provide external power supply.

**7. INTERFACE DRAWING PACKING SPECIFICATIONS**



**8. ENVIRONMENTAL CONDITIONS**

ENVIRONMENTAL ↑ CONDITIONSITEMS	SEPECIFICATION
Operating Temperature	0 ~ 50 °C
Operating Humidity	10 ~ 90% (Non Condensing)
Storage Temperature	-20 ~ 60 °C
Storage Humidity	10 ~ 90% RH(Non Condensing)

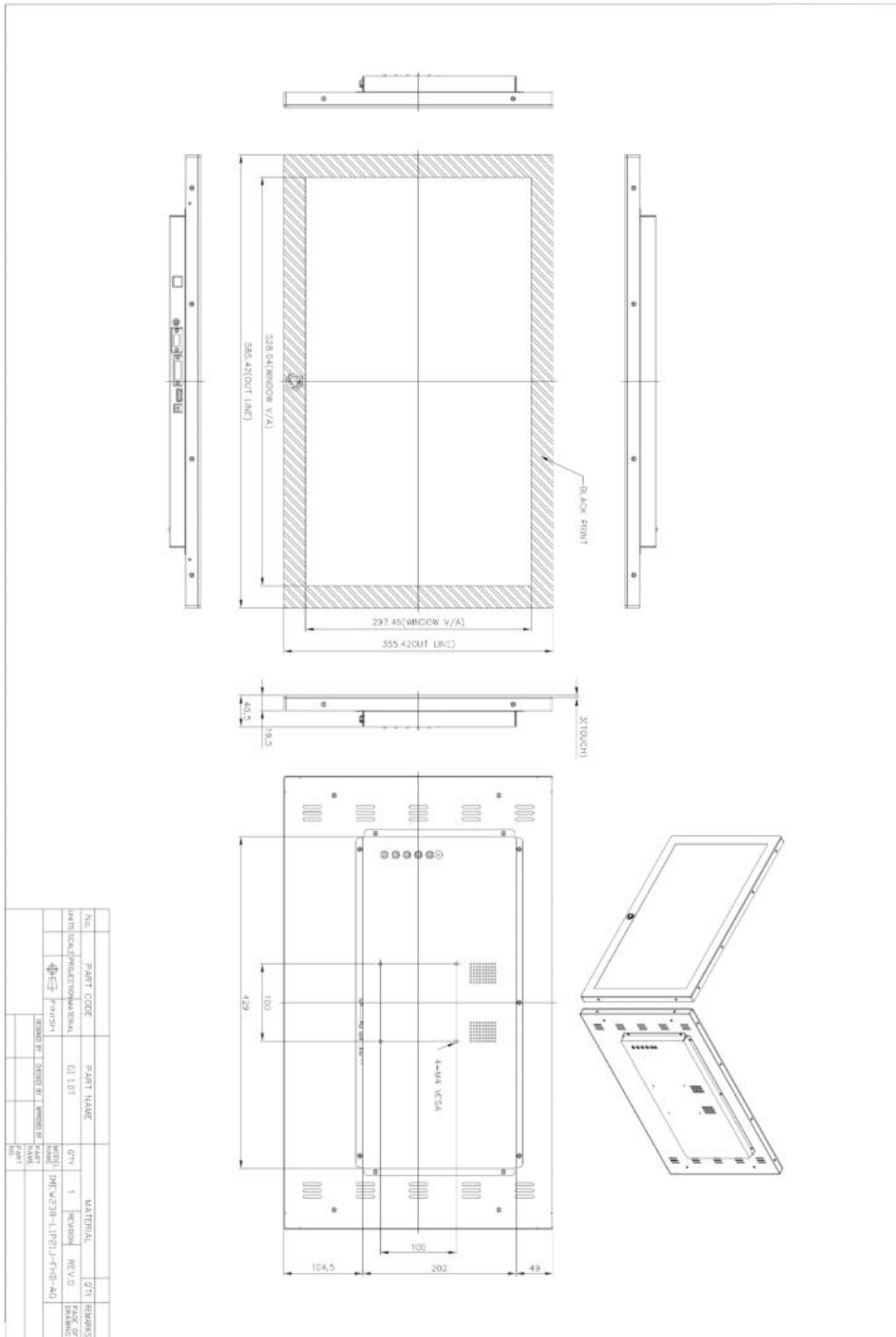
**9. ELECTRICAL SPECIFICATIONS**

ITEMS	SEPECIFICATION
Power Supply	DC 12V
Power Consumption	Max. 2A
ESD	TBD

**10. STANDARD**

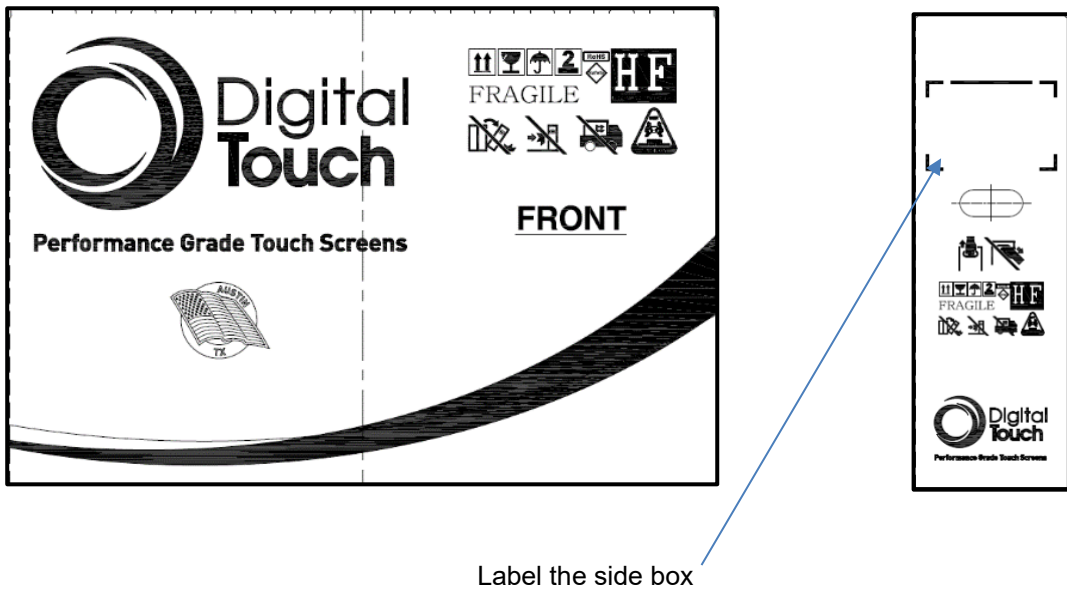
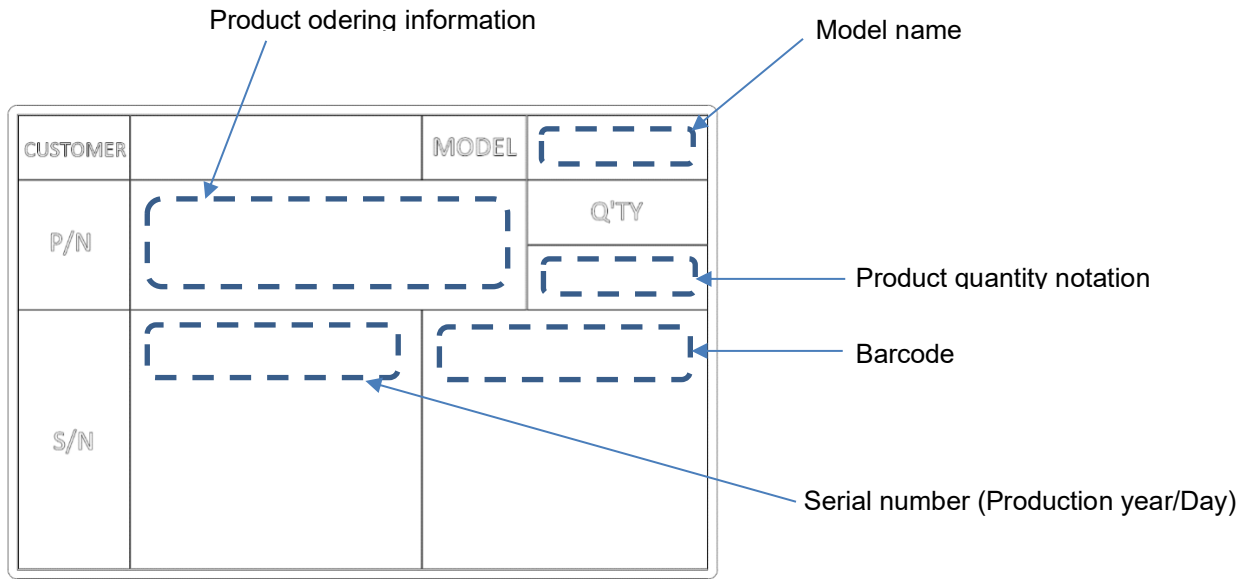
ITEMS	SPECIFICATION
RoHS	TBD
ESD handling	TBD
REACH standard	TBD

**6. DRAWING SPECIFICATIONS**

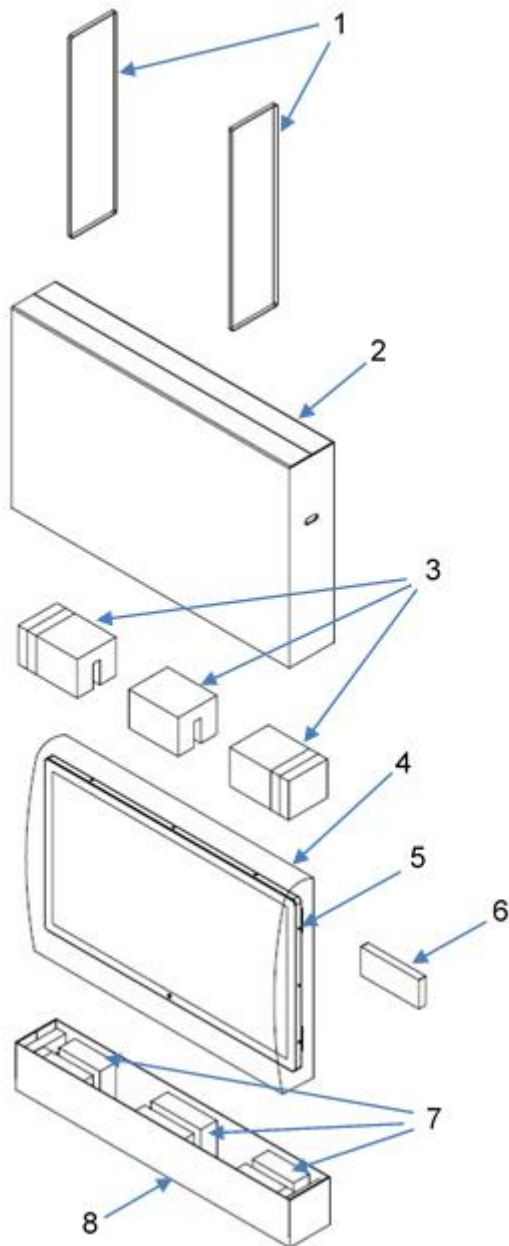




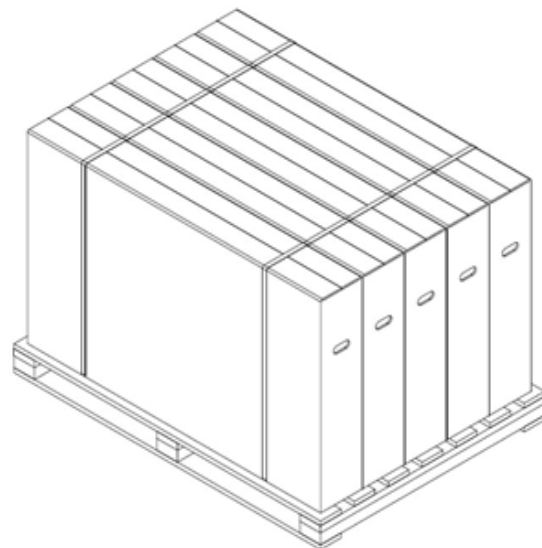
### 7. LABEL INFORMATIONS



## 8. PACKING SPECIFICATIONS



NO	DESCRIPTION
1	BAND
2	BOX (TOP)
3	PE FOAM (TOP)
4	LAMI BAG
5	MONITOR
6	ACCESSORY BOX
7	PE FOAM (BOTTOM)
8	BOT (BOTTOM)



Pallet packing size : L)1100 x W)1100 x H)1500

**Note:** This information is subject to change without prior notice.

## 9. REMOTE CONTROL

- Use a remote control up to 3 meters distance and 30 degrees ( left /right) within the receiving unit scope.
- Format : NEC
- Custom code : 00FF(Hex)

