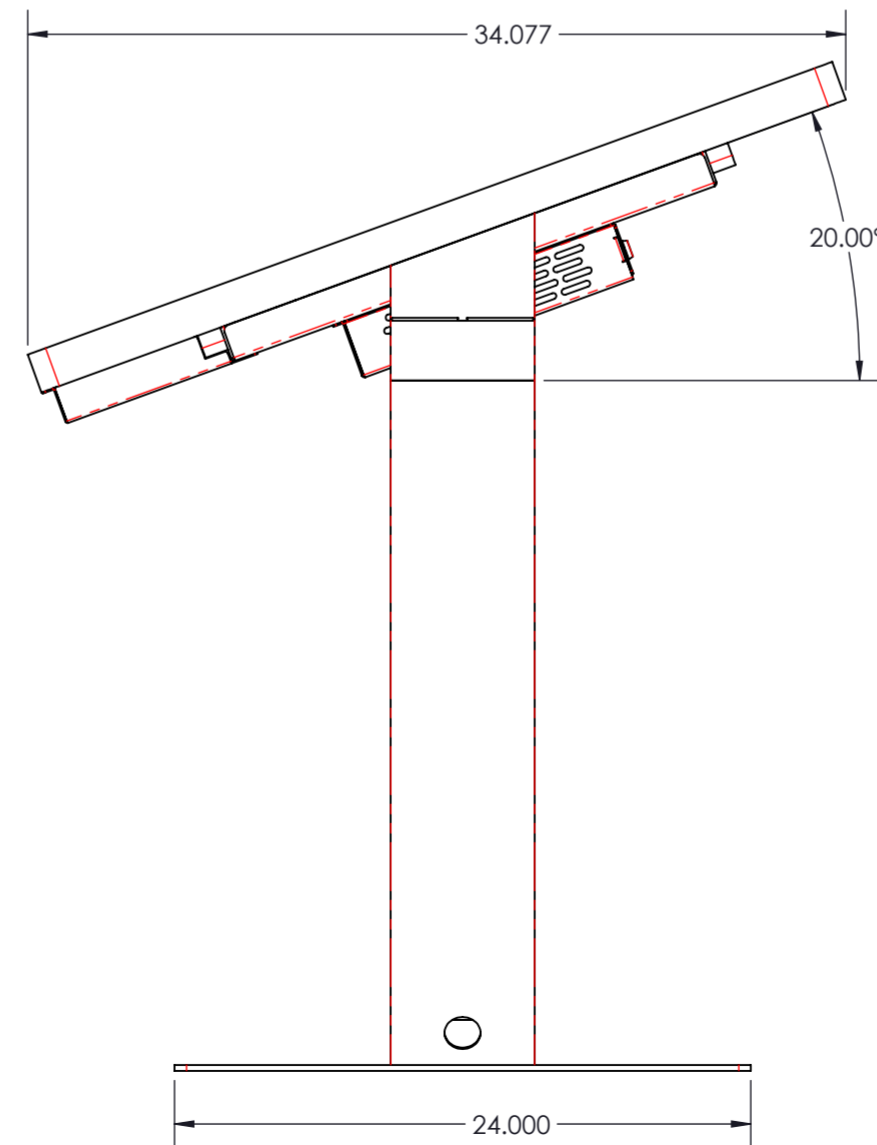
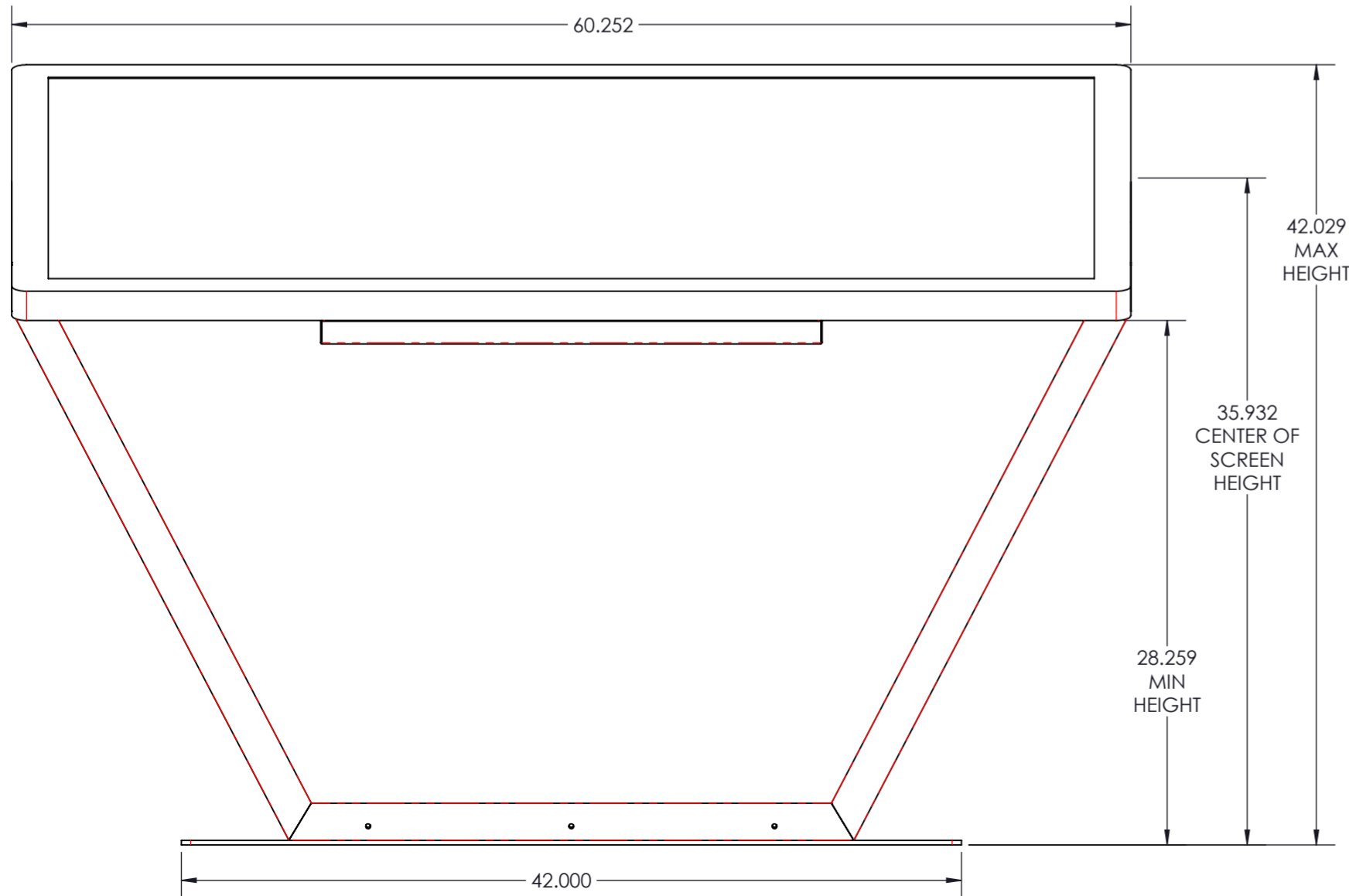
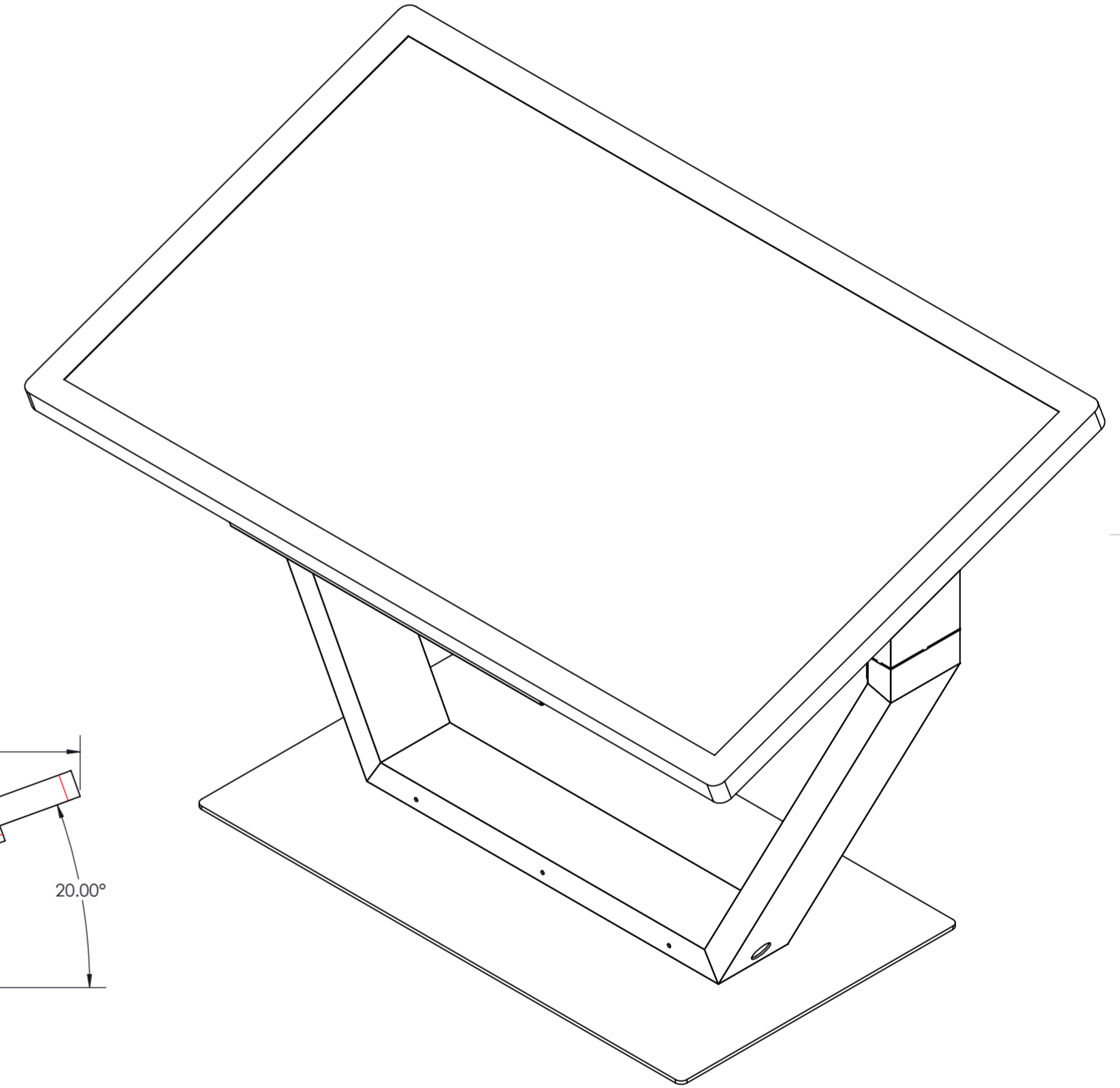
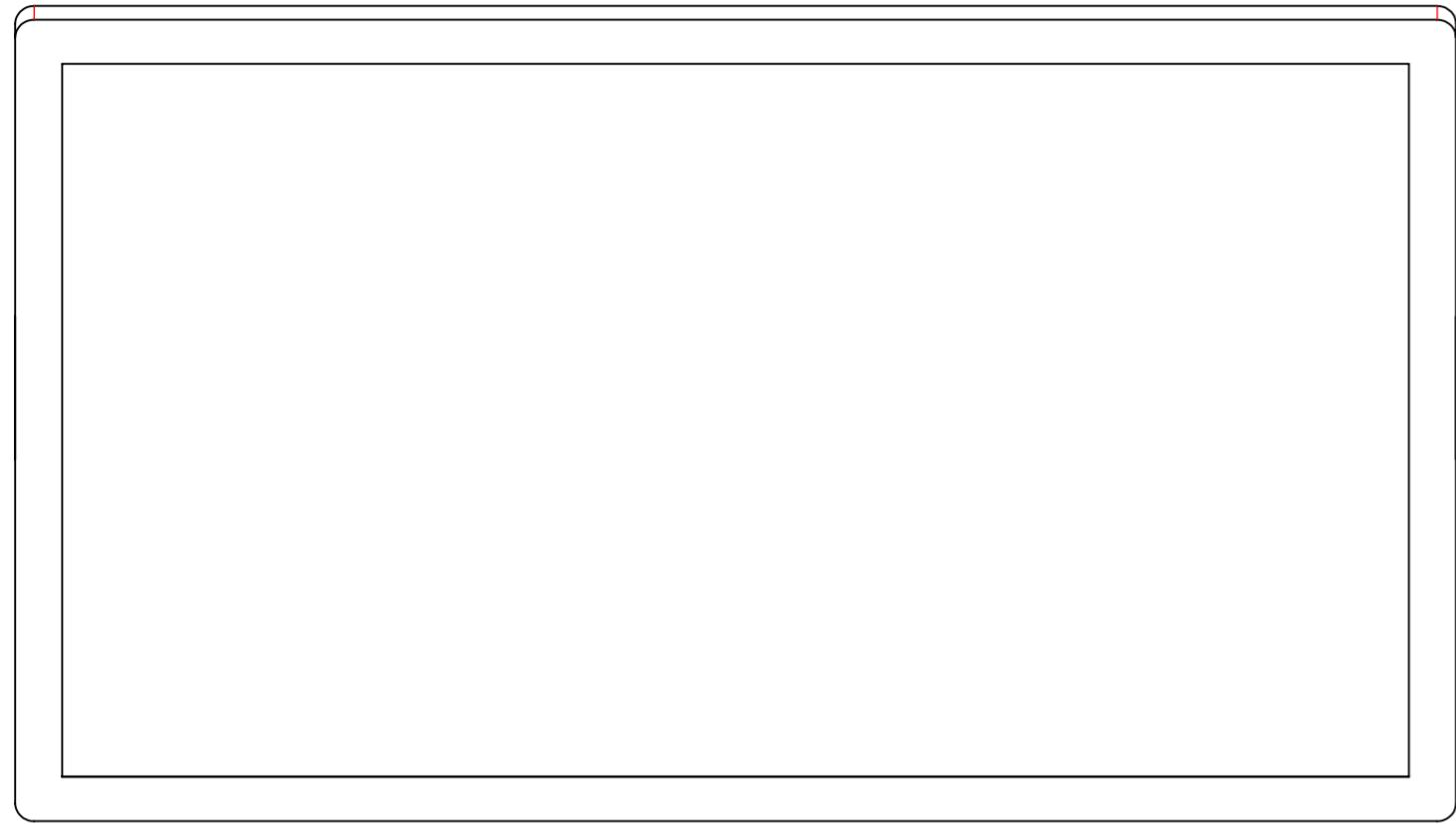
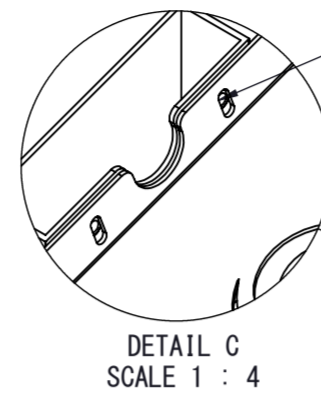


ITEM NO.	PART NUMBER	DESCRIPTION	QTY.
1	3-13BK01	STANDARD DIGITAL TOUCH LOCK	2
2	65 PCT	REFERENCE PCAP SCREEN	1
3	20160627-141142-03547594	10-32 SS PEM NUT	9
4	AEHS8-420-165	1/4-20 HEX RIVNUT	8
5	DTS-65-LK-BASE	.25" CRS	1
6	DTS-65-LK-COVER	.06 CRS	1
7	DTS-65-LK-LEGS	2X6X1/8 AL RECT TUBING	1
8	DTS-65-LK-PAN	12GA CRS	1
9	DTS-65-LK-SLANT-1	1/8" AL	1
10	DTS-65-LK-SLANT-2	2X6X1/8 AL RECT TUBING	1
11	DTS-65-LK-SLANT-3	2X6X1/8 AL RECT TUBING	1
12	DTS-65-LK-SLANT-4	1/8" AL	1
13	DTS-SLT-1	.075 CRS	1
14	DTS-SLT-2	.075 CRS	1
15	SS61015-01	1" SS HINGE	2

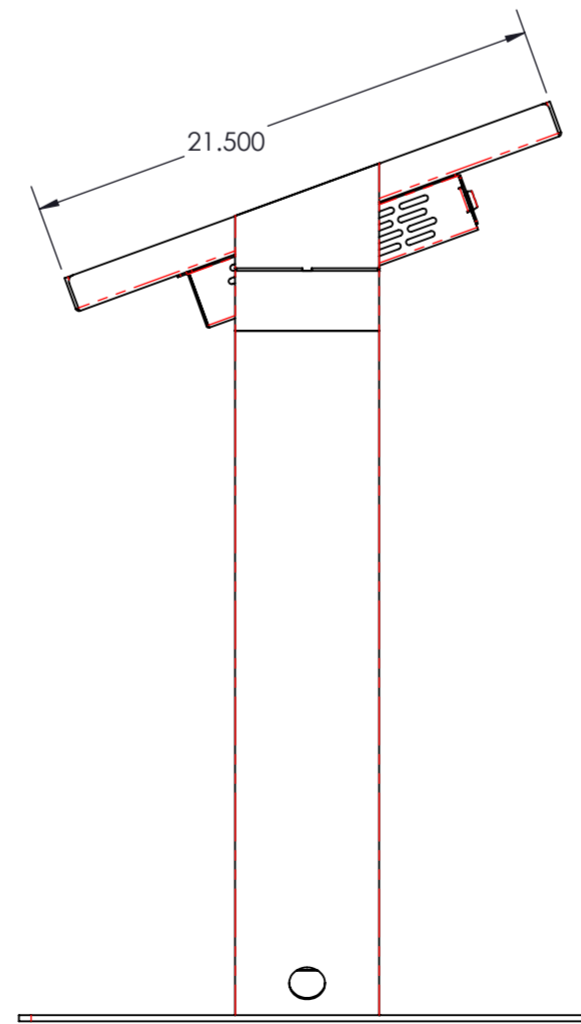
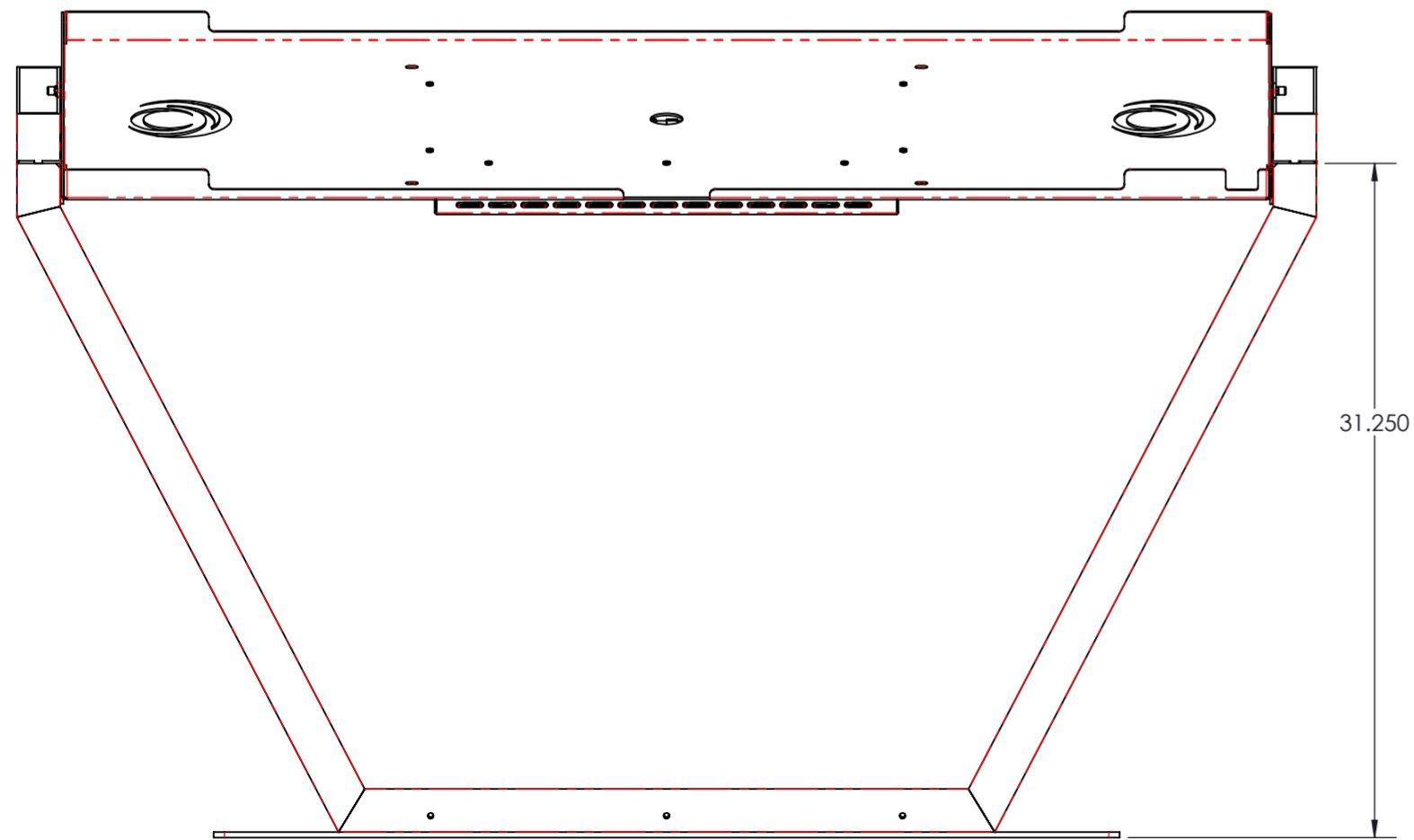
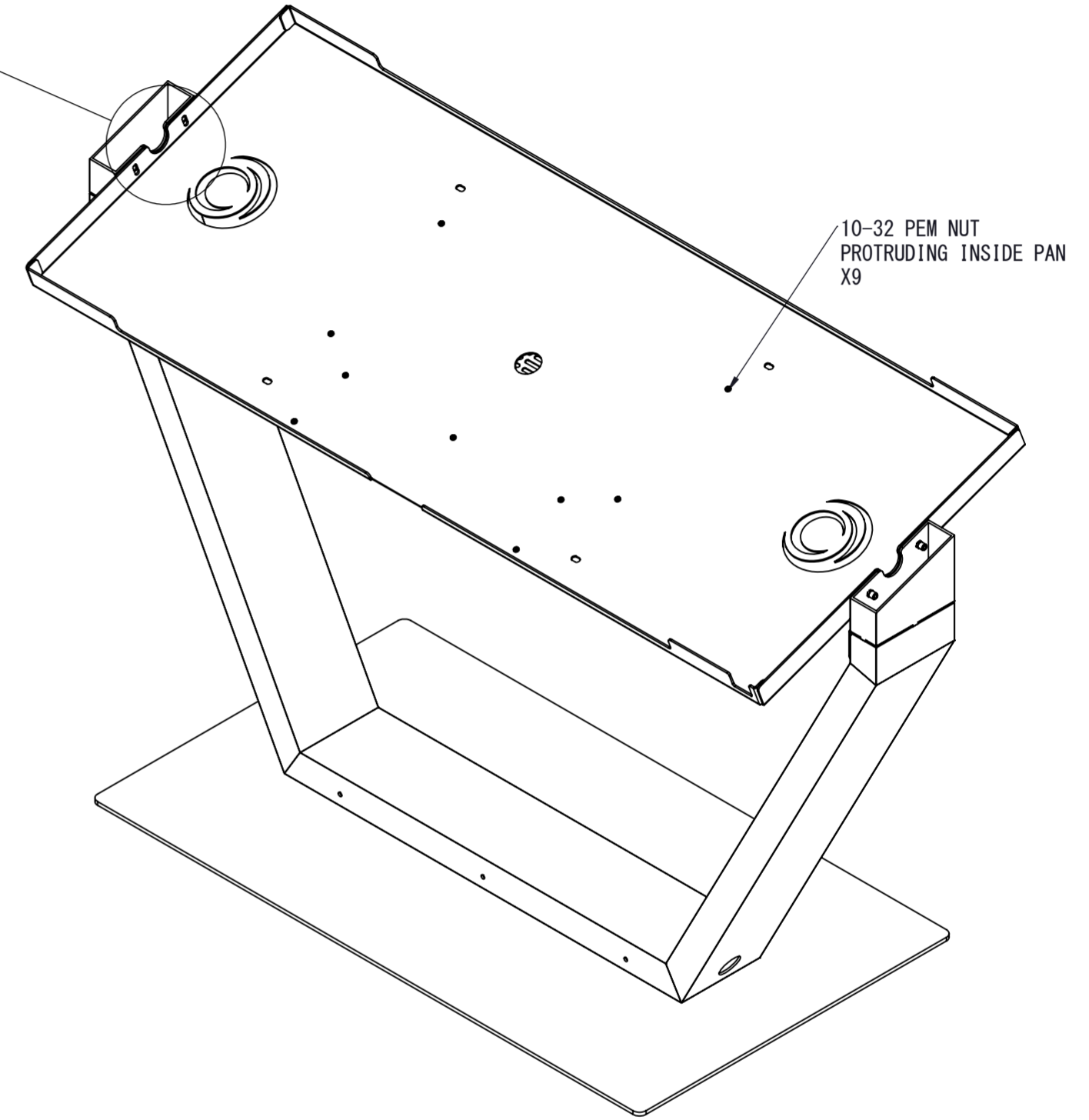
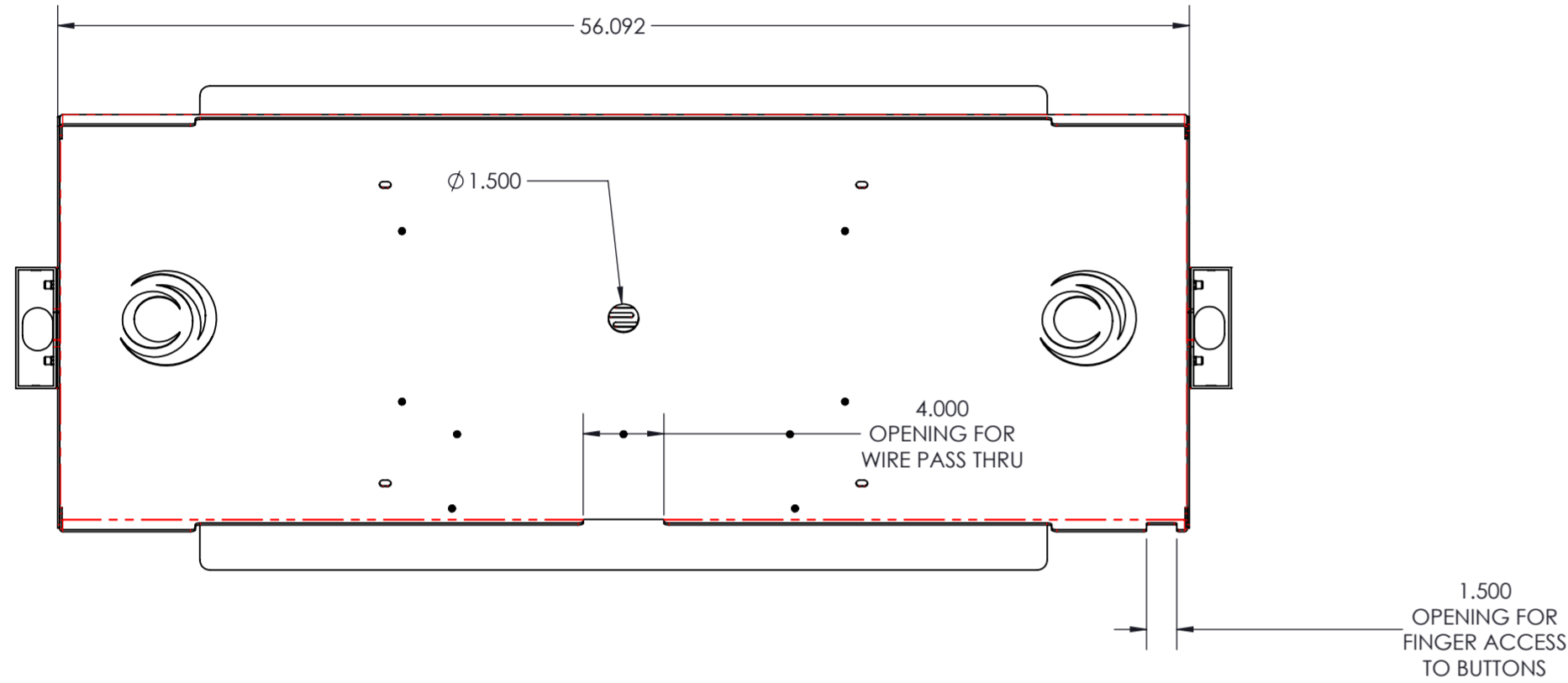


UNLESS OTHERWISE SPECIFIED: DIMENSIONS ARE IN INCHES SURFACE FINISH: TOLERANCES: LINEAR: .01 ANGULAR: .5		FINISH:	DEBUR AND BREAK SHARP EDGES	DO NOT SCALE DRAWING	REVISION
DRAWN:			TITLE:		
CHKD:			DWG NO. DTS-65-LK		
APP'VD:			SCALE: 1:16		
MFG:			SHEET 1 OF 6		
Q.A.			A2		
MATERIAL:			WEIGHT:		

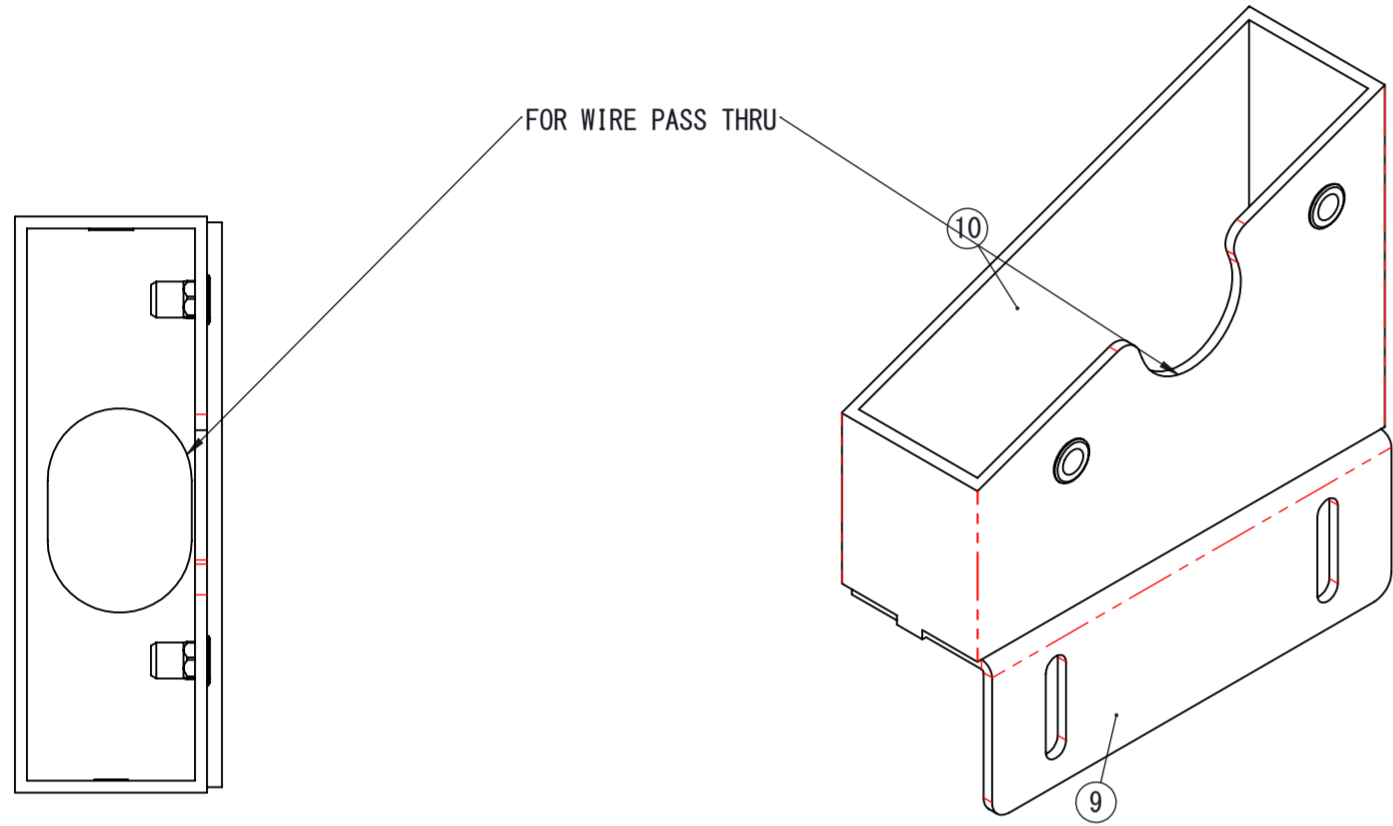


1/4-20 HEX RIVNUT
IN TUBING TO BOLT
PAN INTO. NO NEED
TO REACH INSIDE
TUBING.

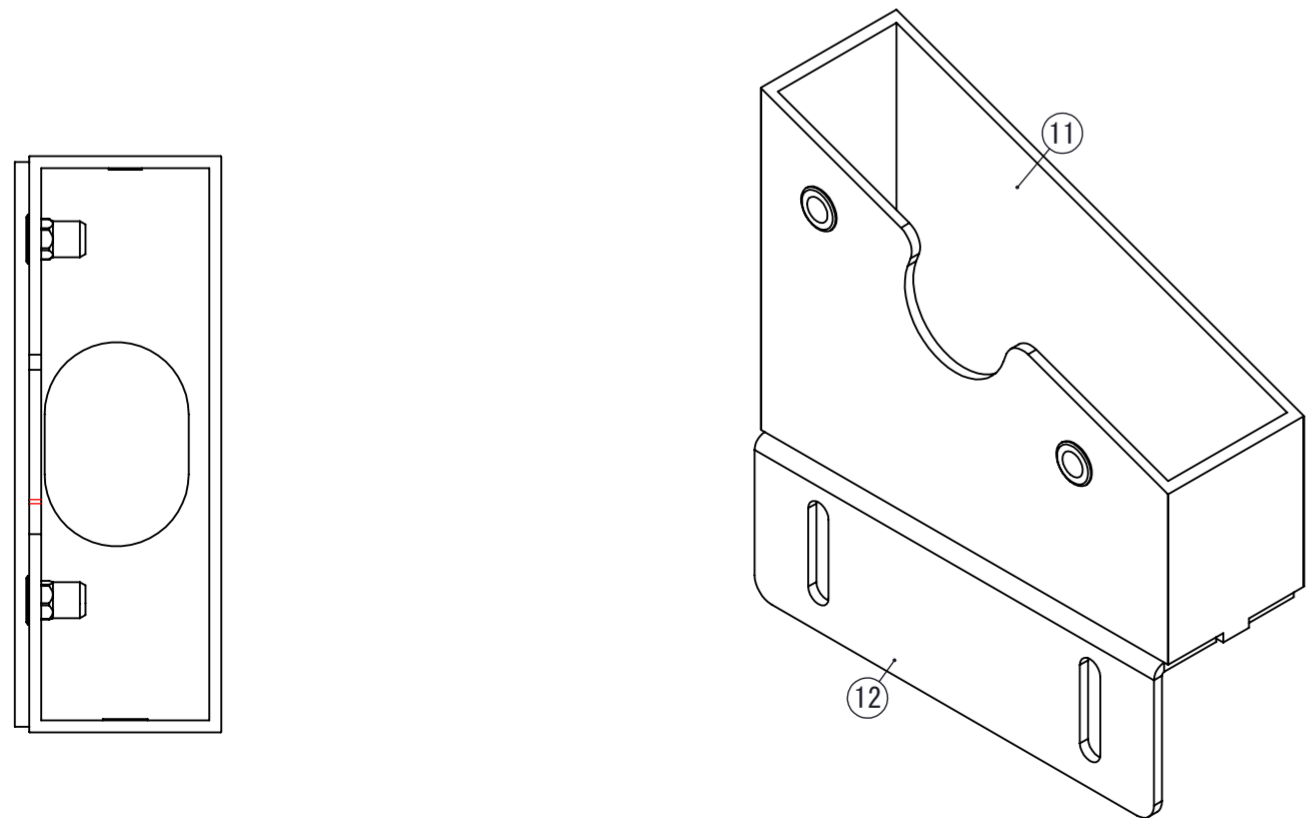
DETAIL C
SCALE 1 : 4



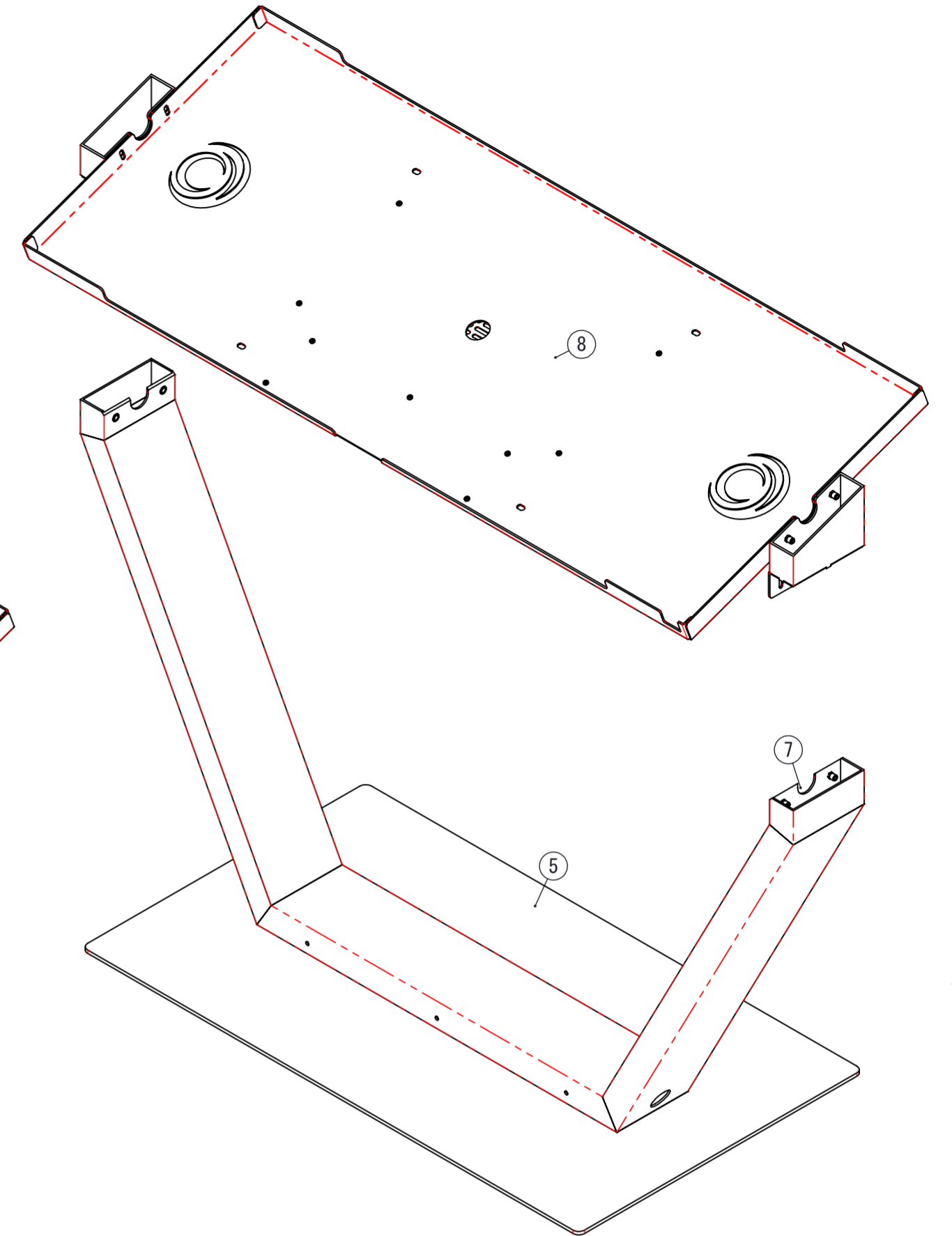
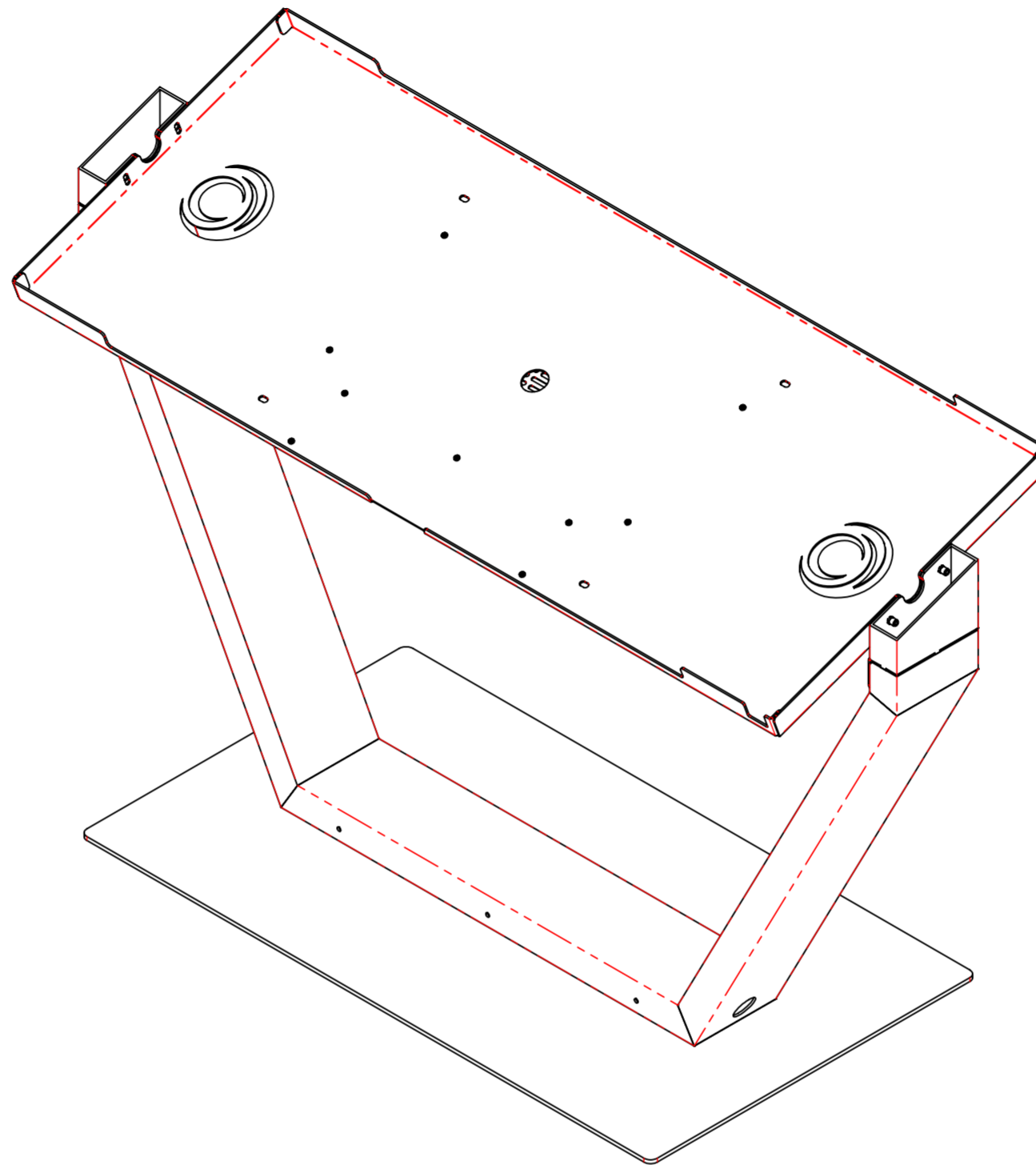
UNLESS OTHERWISE SPECIFIED: DIMENSIONS ARE IN INCHES SURFACE FINISH: TOLERANCES: LINEAR: .01 ANGULAR: .5		FINISH:	DEBUR AND BREAK SHARP EDGES	DO NOT SCALE DRAWING	REVISION
				Digital Touch Systems	
DRAWN:	NAME	SIGNATURE	DATE	TITLE:	
CHK'D:					
APP'V'D:					
MFG:					
Q.A.				MATERIAL:	DWG NO. DTS-65-LK
				WEIGHT:	SCALE: 1:16
					SHEET 2 OF 6



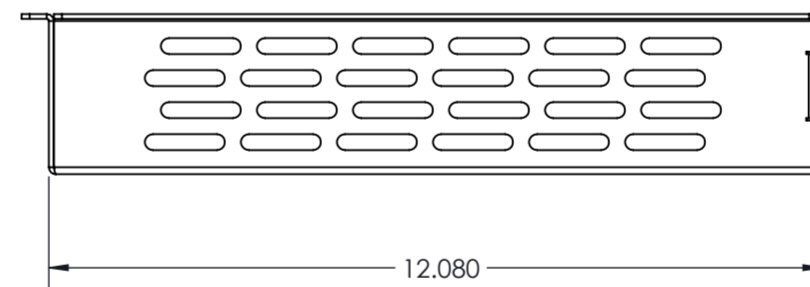
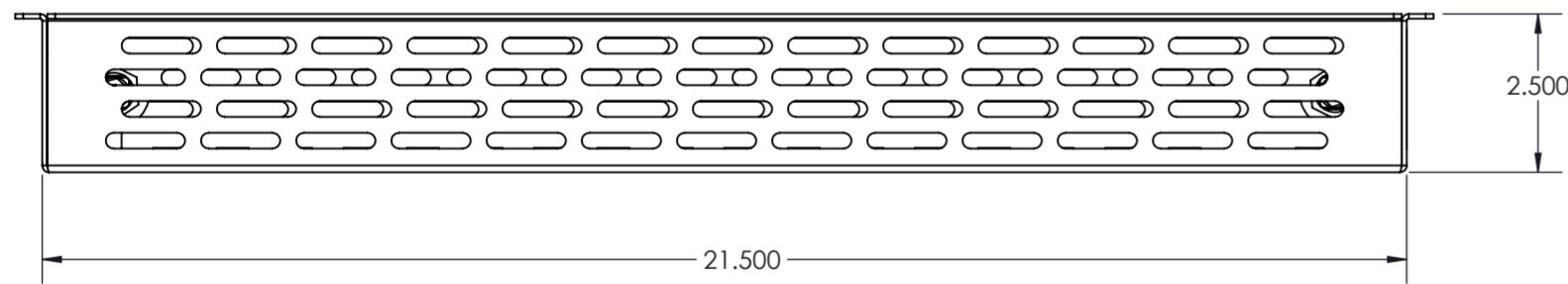
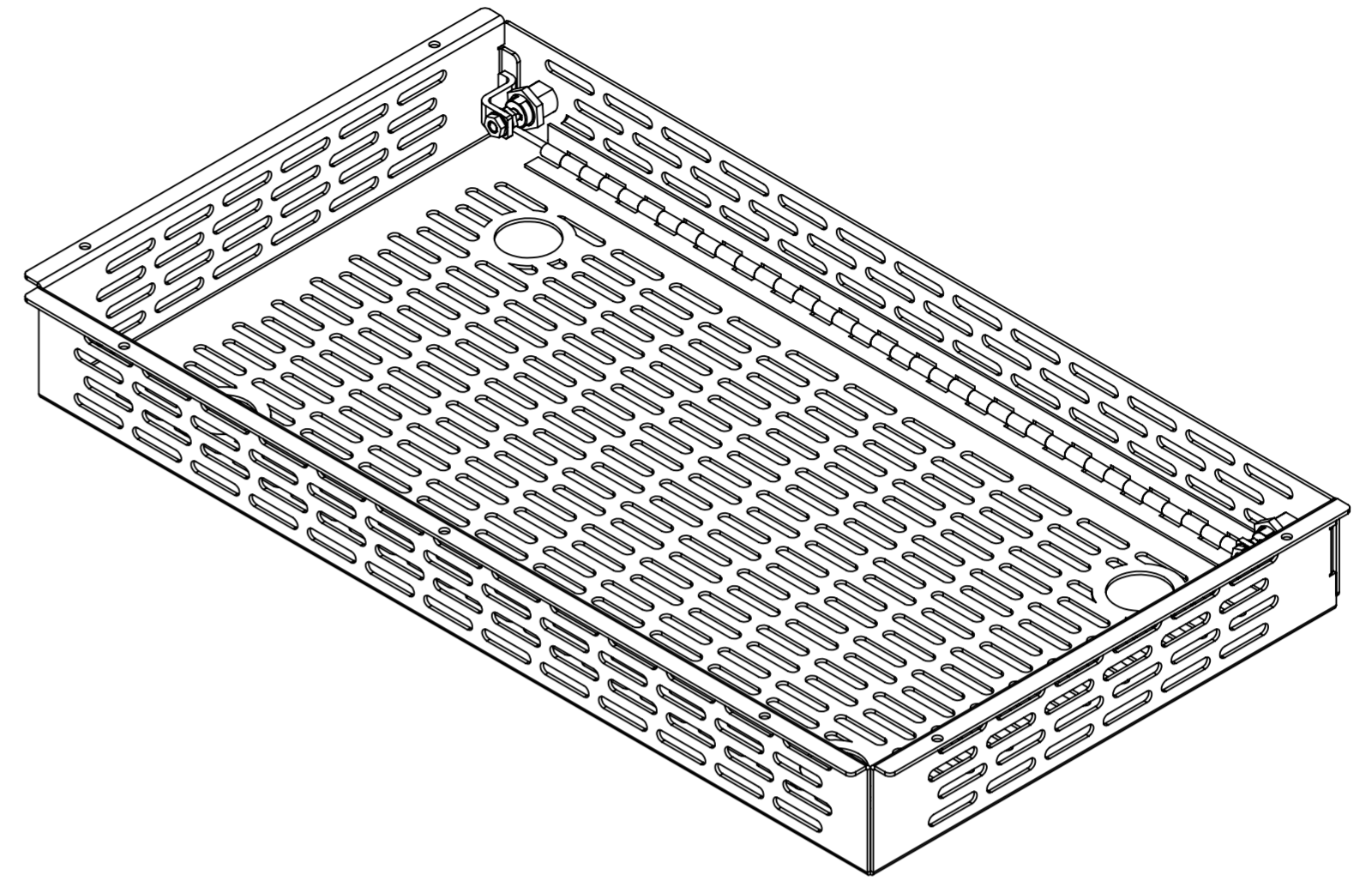
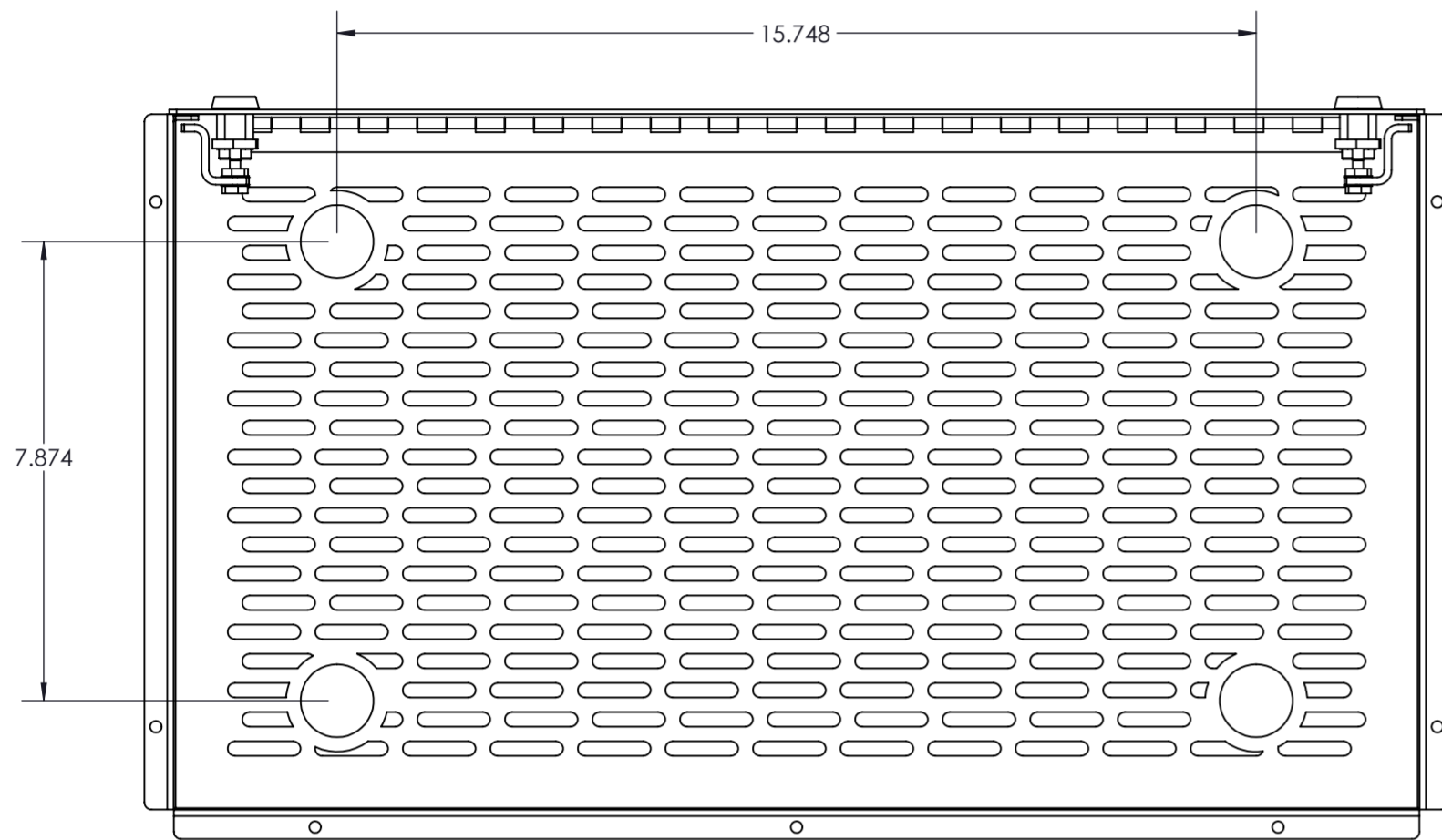
**SLANT ADD-ON
LEFT SIDE**



**SLANT ADD-ON
RIGHT SIDE**



UNLESS OTHERWISE SPECIFIED: DIMENSIONS ARE IN INCHES SURFACE FINISH: TOLERANCES: LINEAR: .01 ANGULAR: .5		FINISH:	DEBUR AND BREAK SHARP EDGES	DO NOT SCALE DRAWING	REVISION
				Digital Touch Systems	
DRAWN:	NAME	SIGNATURE	DATE	TITLE:	
CHK'D:					
APP'V'D:					
MFG:					
Q.A.				MATERIAL:	DWG NO. DTS-65-LK
				WEIGHT:	SCALE: 1:16
					SHEET 3 OF 6



UNLESS OTHERWISE SPECIFIED: DIMENSIONS ARE IN INCHES SURFACE FINISH: TOLERANCES: LINEAR: .01 ANGULAR: .5				FINISH:		DEBUR AND BREAK SHARP EDGES		DO NOT SCALE DRAWING		REVISION	
								Digital Touch Systems			
								TITLE:			
DRAWN:		NAME		SIGNATURE		DATE				DWG NO.	
CHK'D:										DTS-65-LK	
APP'VD:										A2	
MFG:										SCALE: 1:8	
Q.A.:										SHEET 4 OF 6	
								MATERIAL:			
								WEIGHT:			