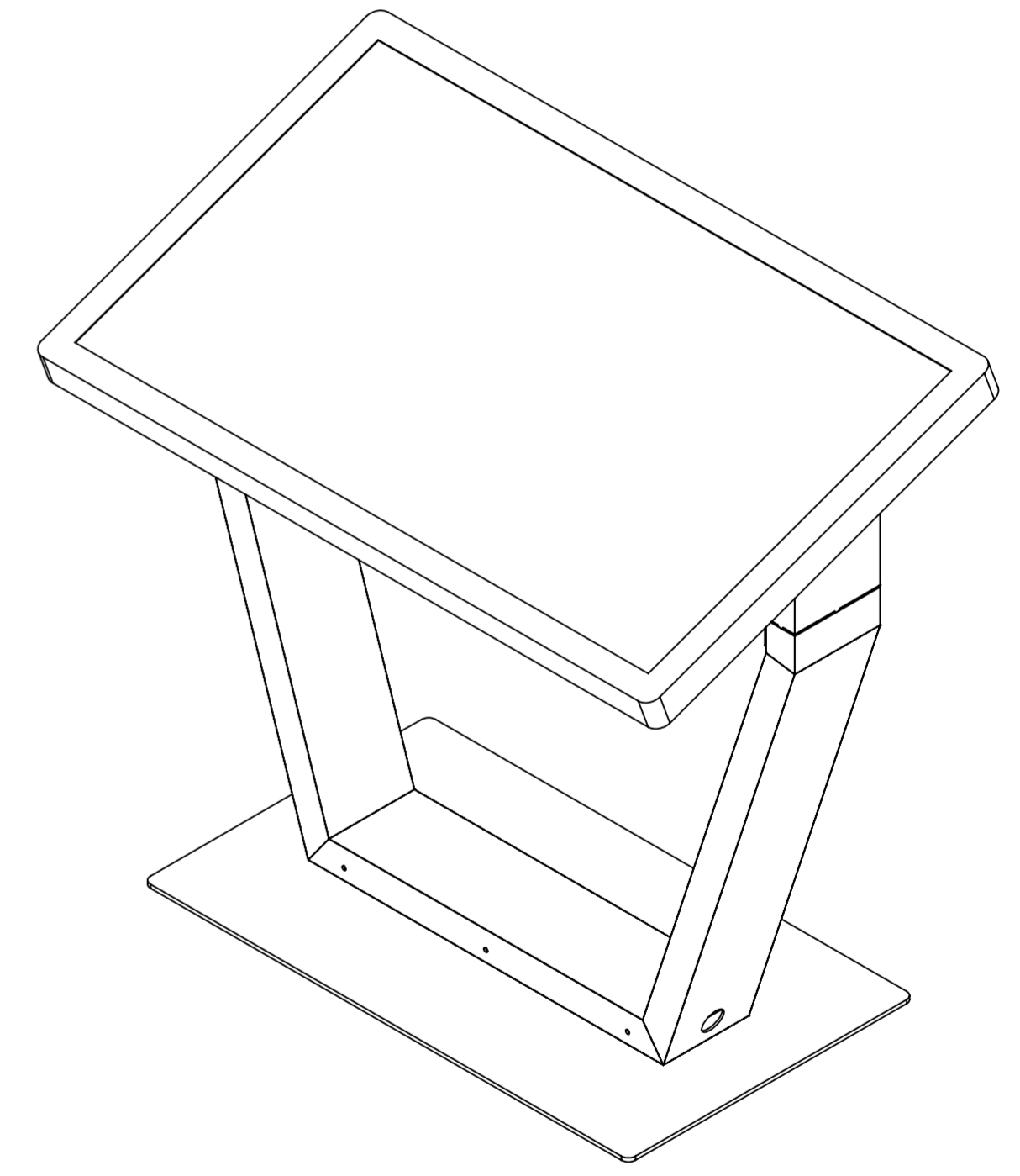
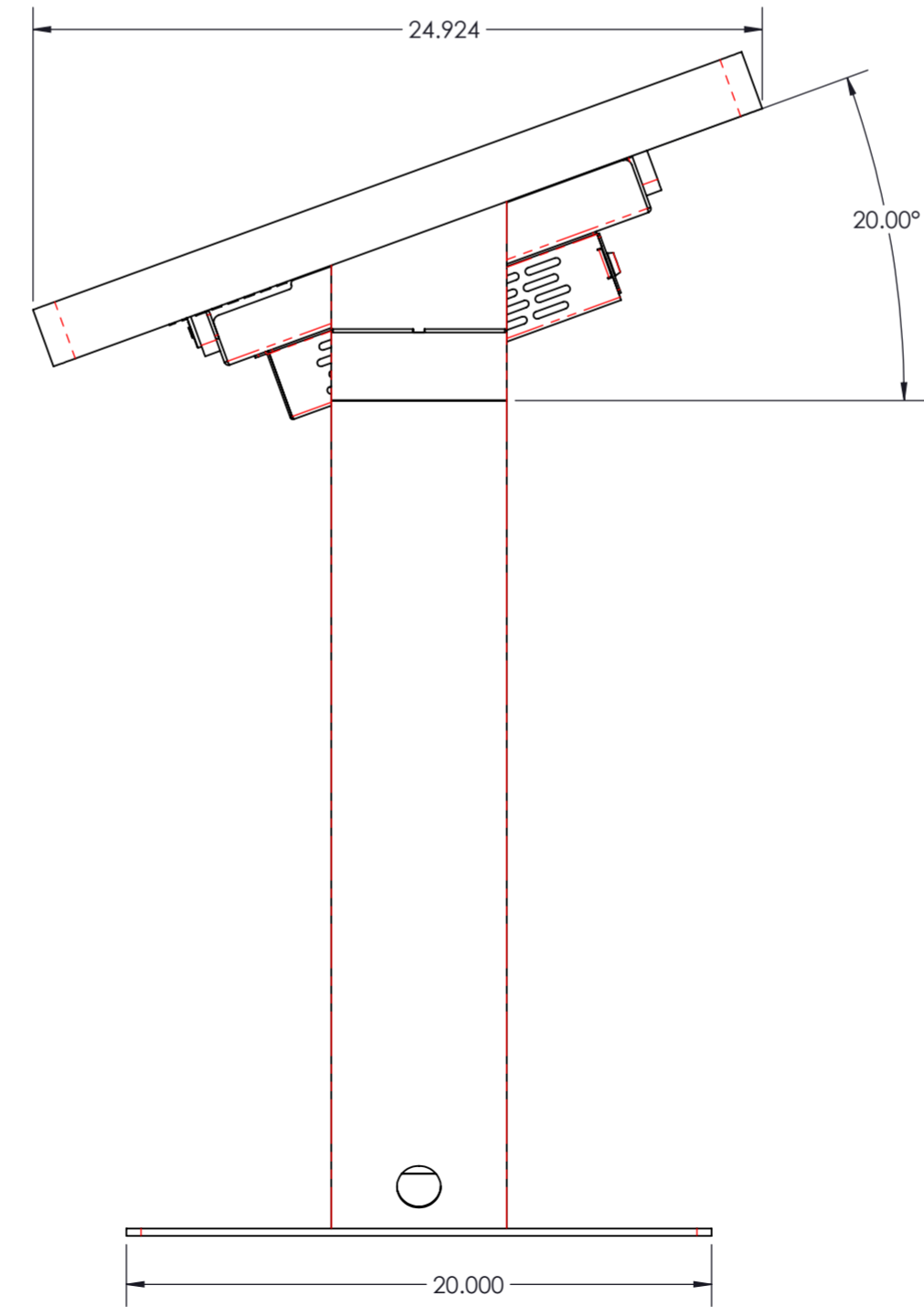
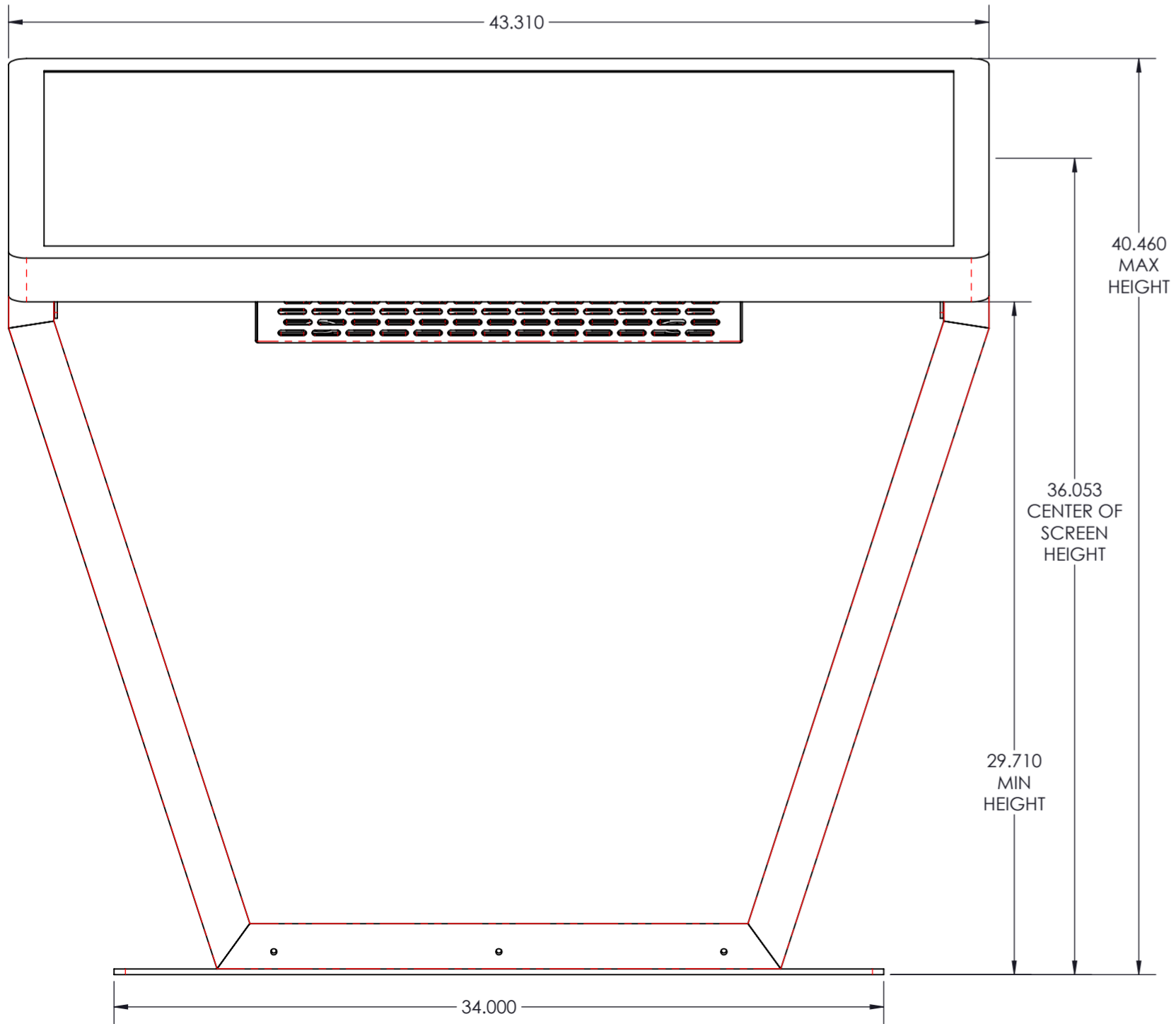


ITEM NO.	PART NUMBER	DESCRIPTION	QTY.
1	3-13BK01	STANDARD DIGITAL TOUCH LOCK	2
2	46 PCT	REFERENCE PCAP SCREEN	1
3	AEHS8-420-165	1/4-20 HEX RIVNUT	8
4	DTS-46-LK-BASE	.25" CRS	1
5	DTS-46-LK-COVER	.06 CRS	1
6	DTS-46-LK-LEGS	2X6X1/8 AL RECT TUBING	1
7	DTS-46-LK-PAN	12GA CRS	1
8	DTS-46-LK-SLANT-1	1/8" AL	1
9	DTS-46-LK-SLANT-2	2X6X1/8 AL RECT TUBING	1
10	DTS-46-LK-SLANT-3	2X6X1/8 AL RECT TUBING	1
11	DTS-46-LK-SLANT-4	1/8" AL	1
12	DTS-SLT-1	.075 CRS	1
13	DTS-SLT-2	.075 CRS	1
14	SS-032-2ZC	10-32 SS PEM NUT	9
15	SS61015-01	1" SS HINGE	2



UNLESS OTHERWISE SPECIFIED:  
DIMENSIONS ARE IN INCHES  
SURFACE FINISH:  
TOLERANCES:  
LINEAR: .01  
ANGULAR: .5

FINISH:

DEBUR AND  
BREAK SHARP  
EDGES

DO NOT SCALE DRAWING

REVISION

## Digital Touch Systems

TITLE:

DRAWN: \_\_\_\_\_

CHK'D: \_\_\_\_\_

APP'VD: \_\_\_\_\_

MFG: \_\_\_\_\_

Q.A: \_\_\_\_\_

MATERIAL:

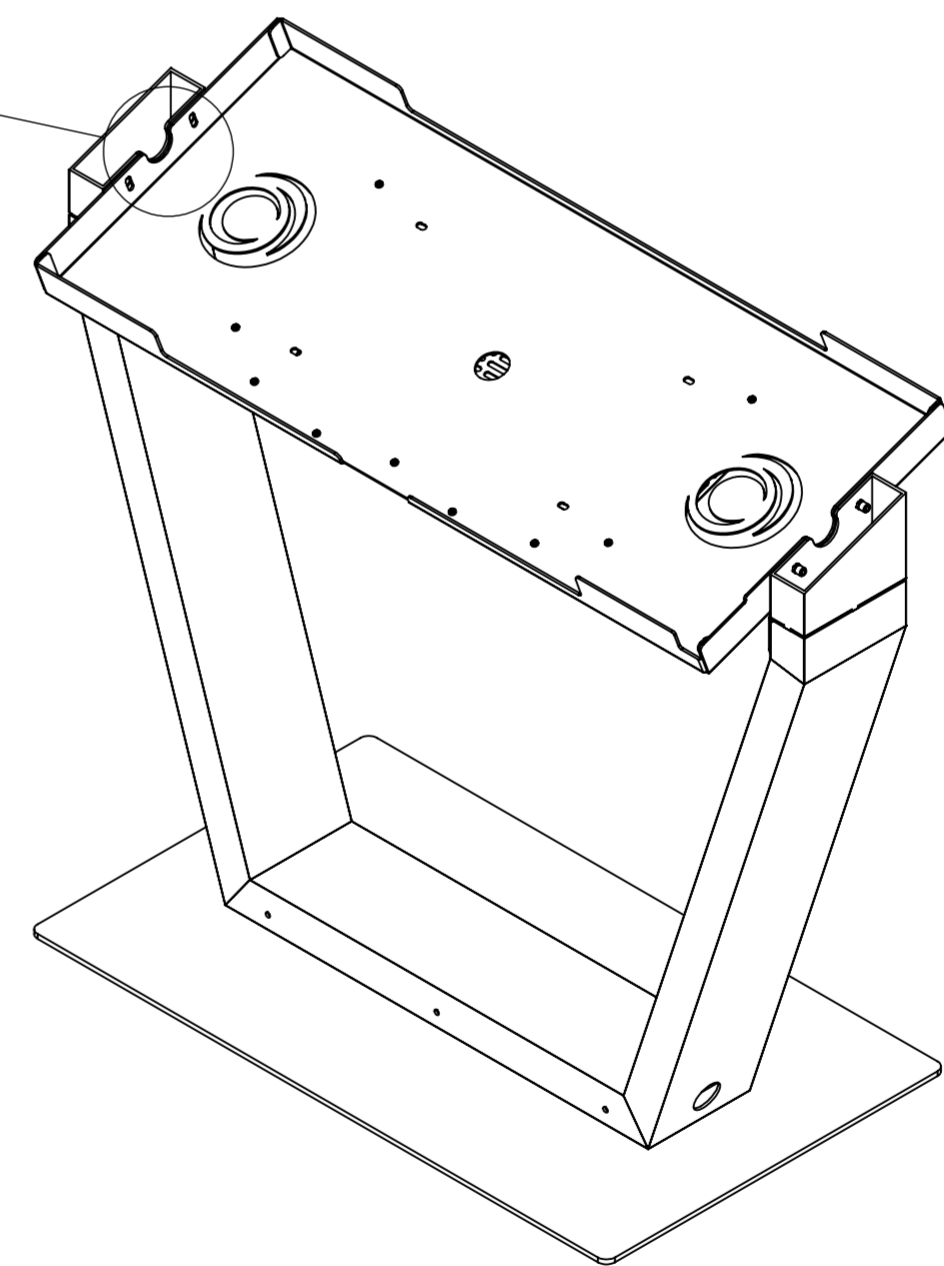
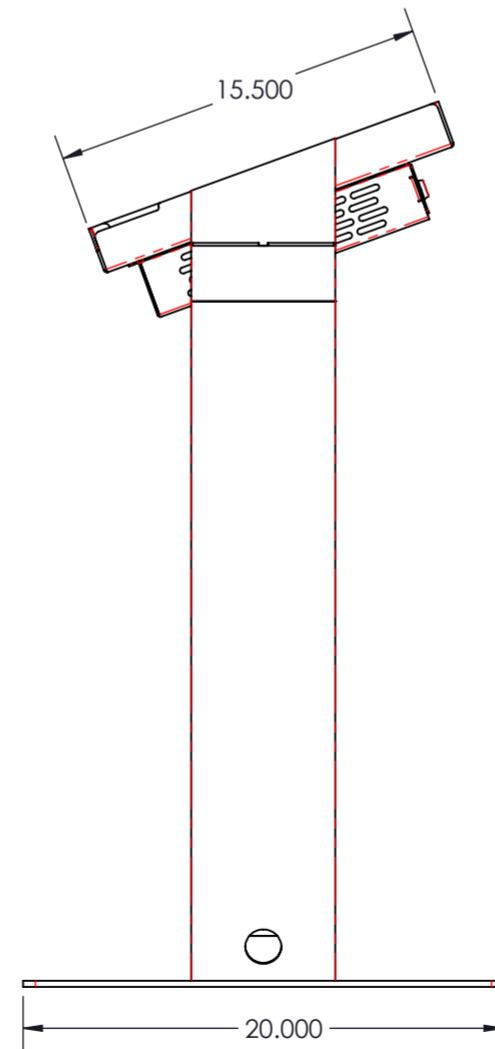
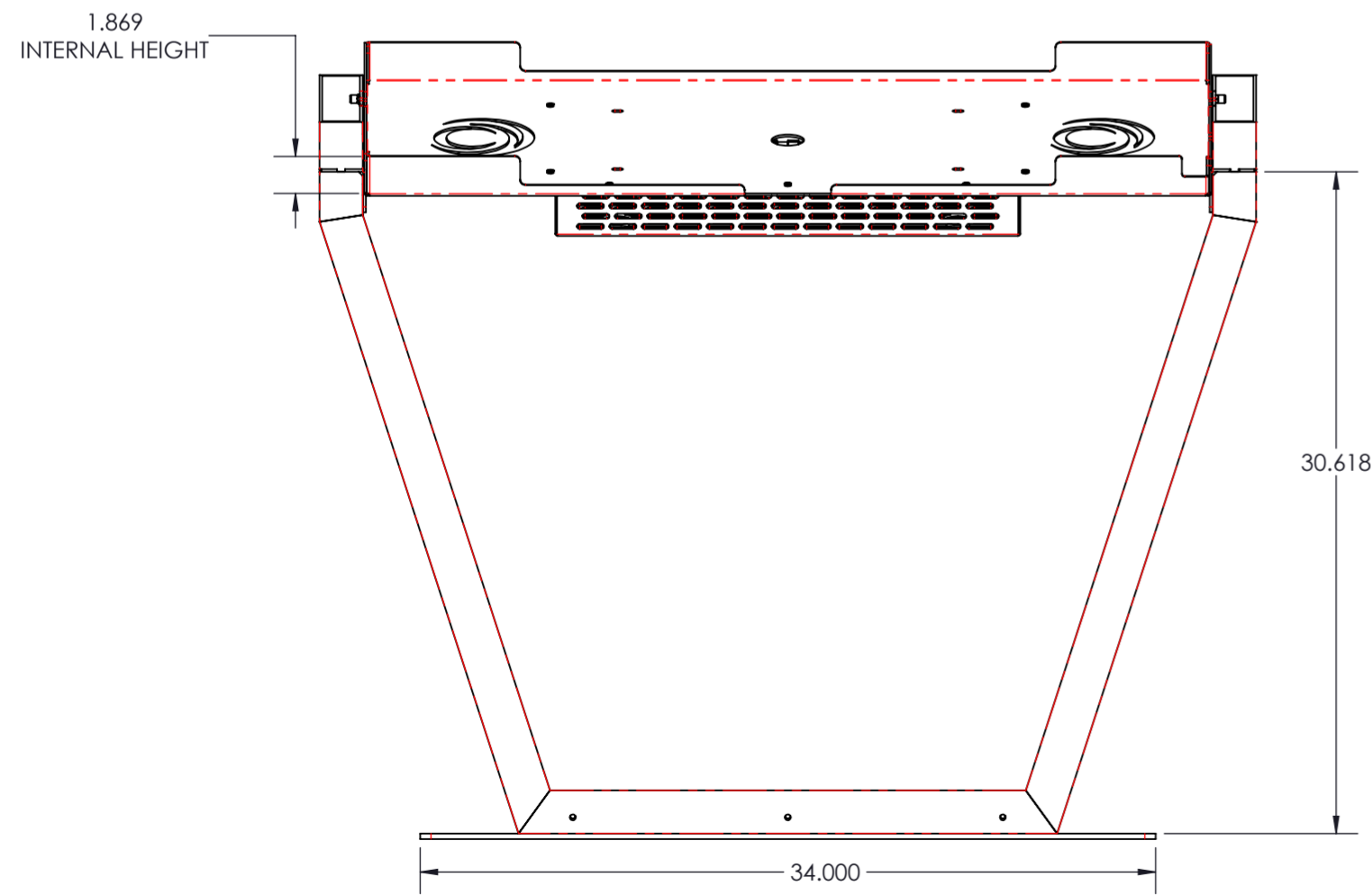
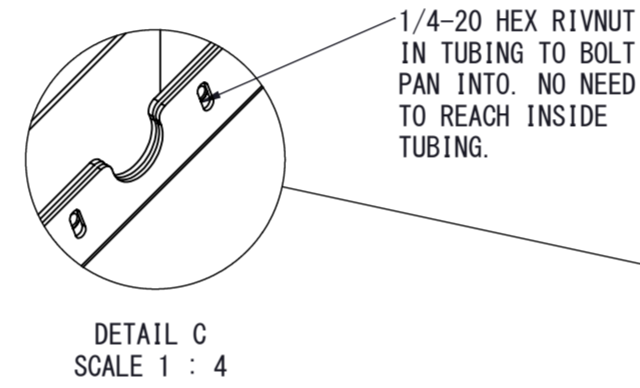
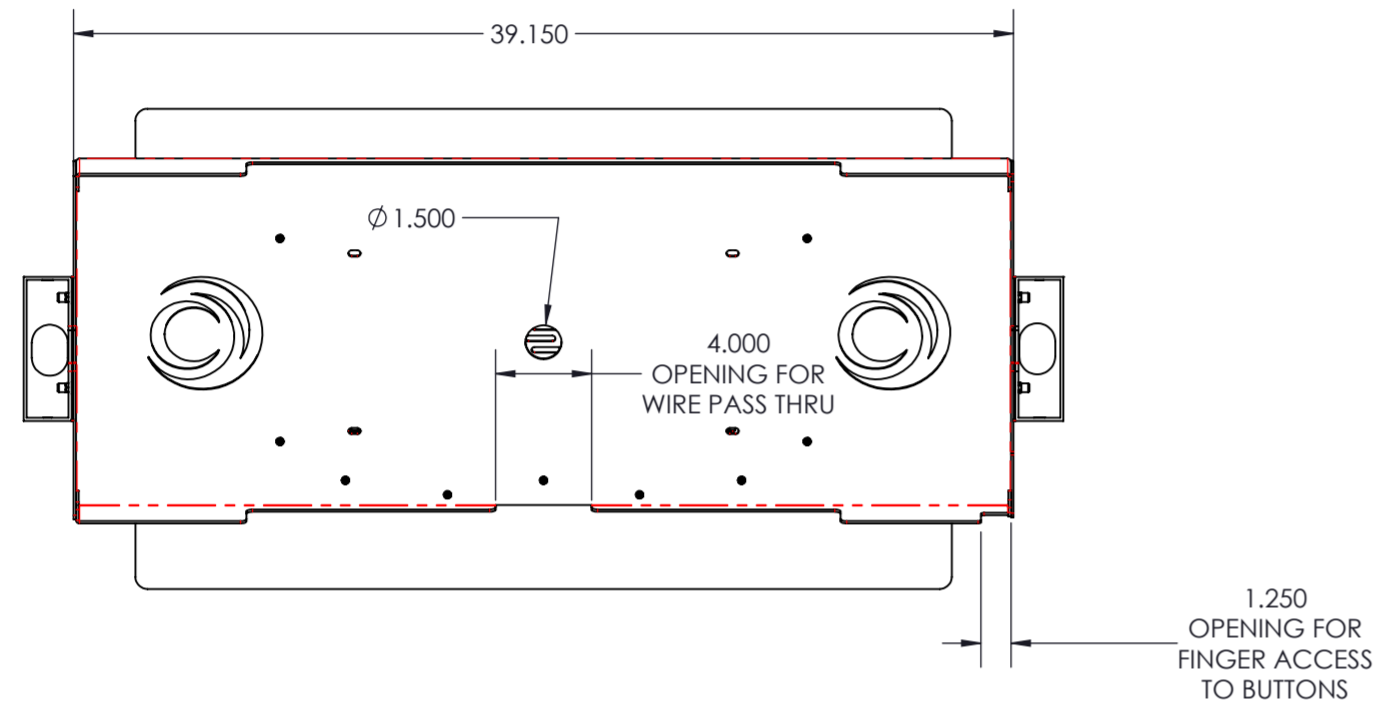
WEIGHT:

DWG NO. **DTS-46-LK**

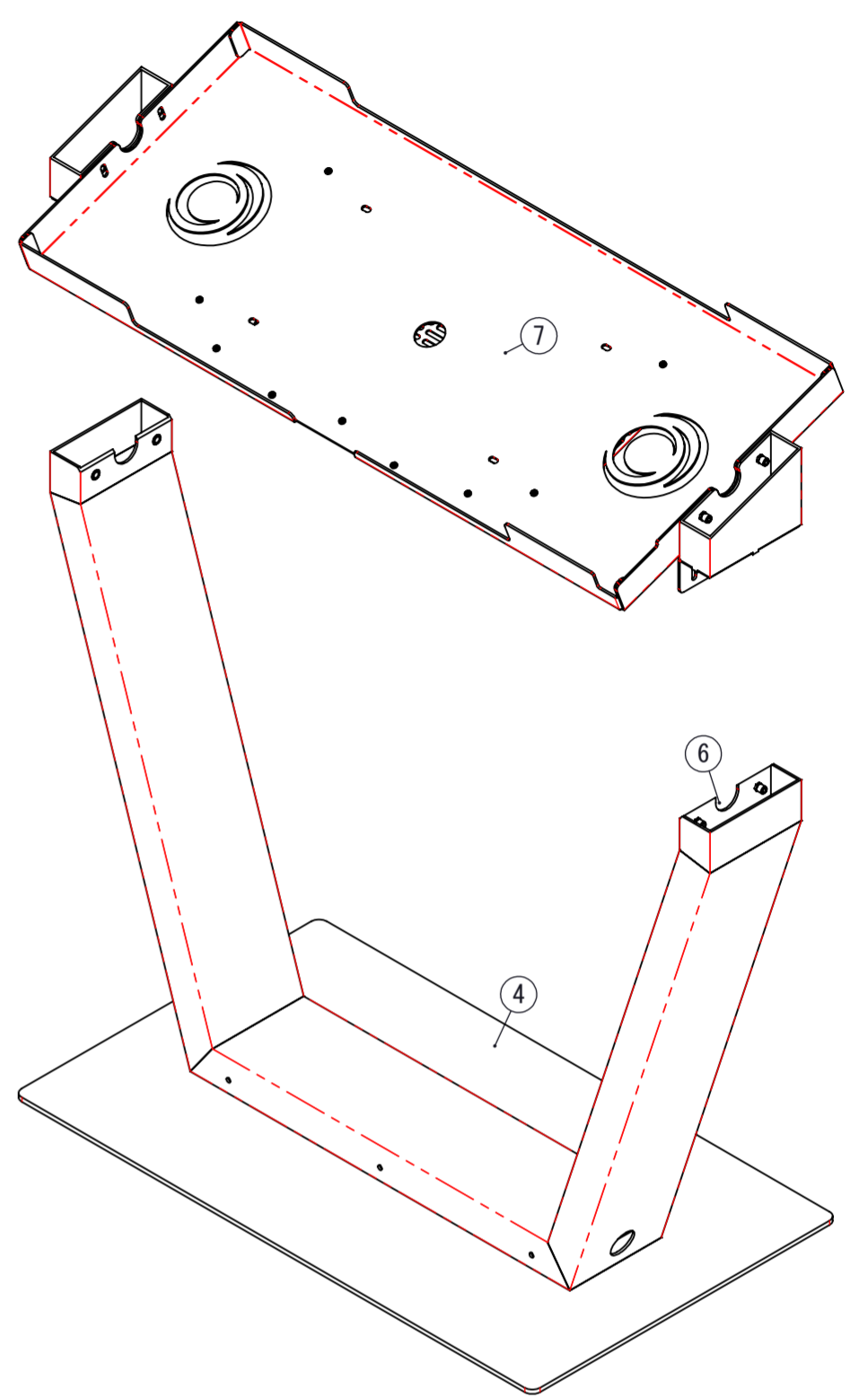
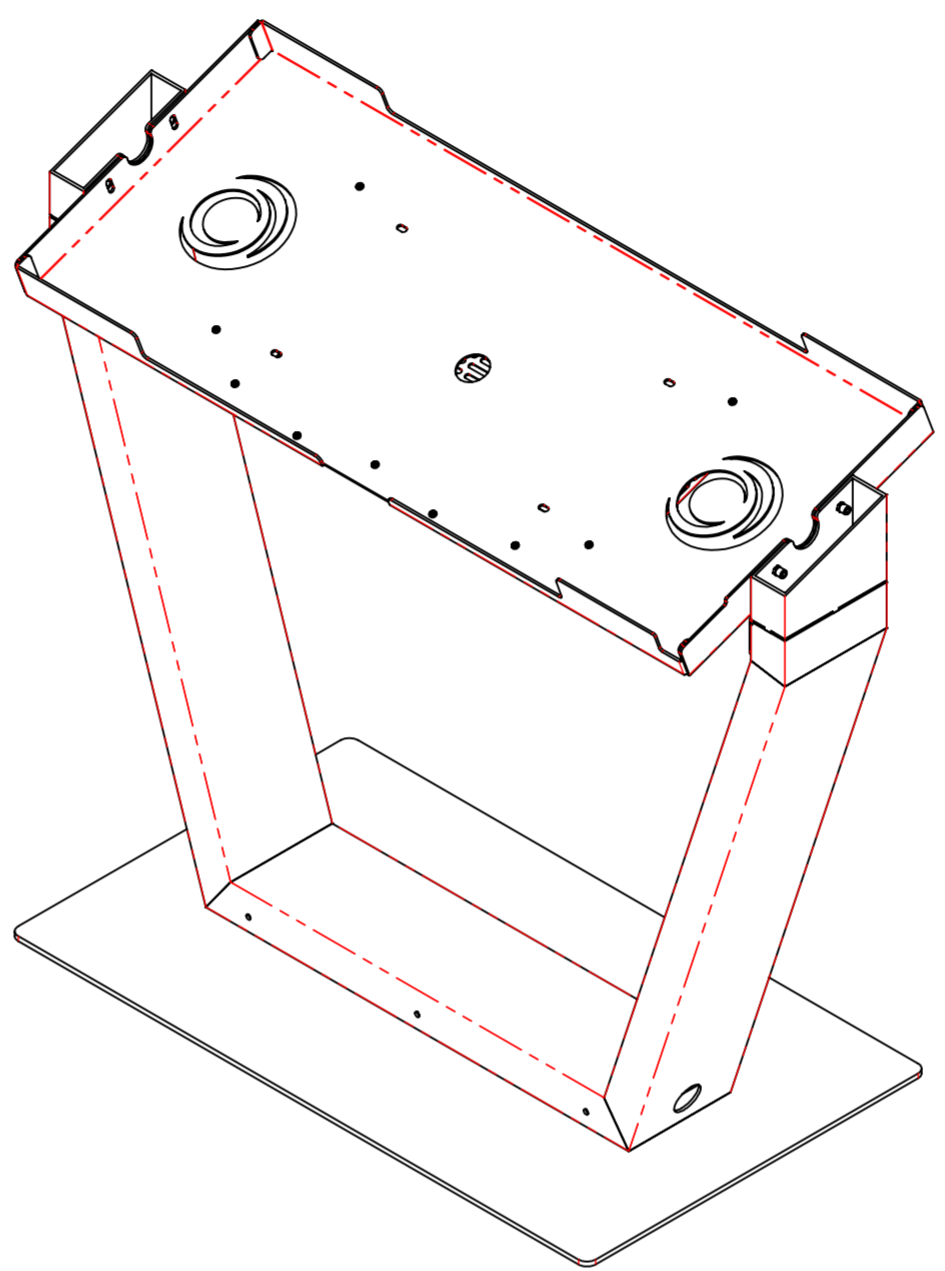
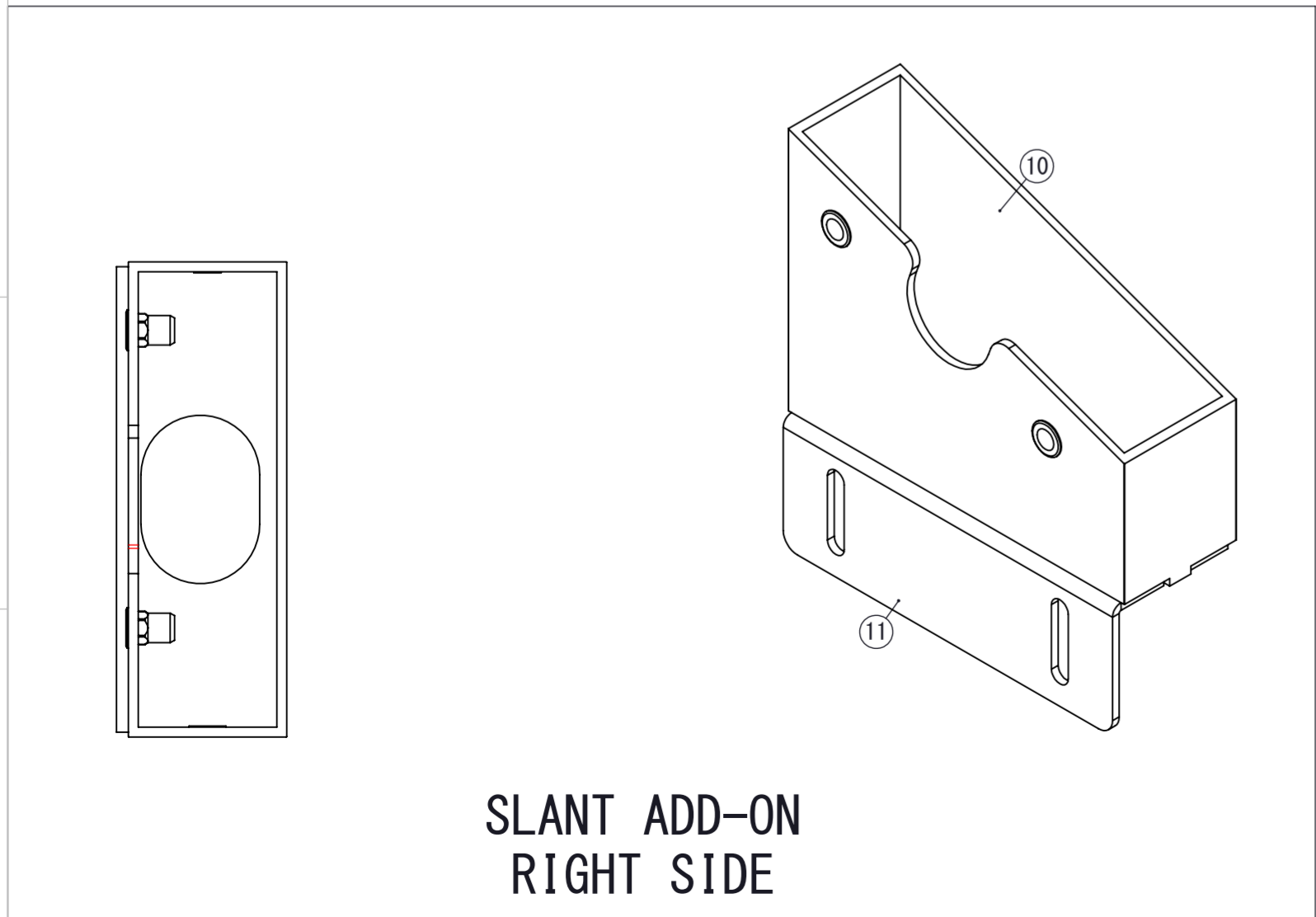
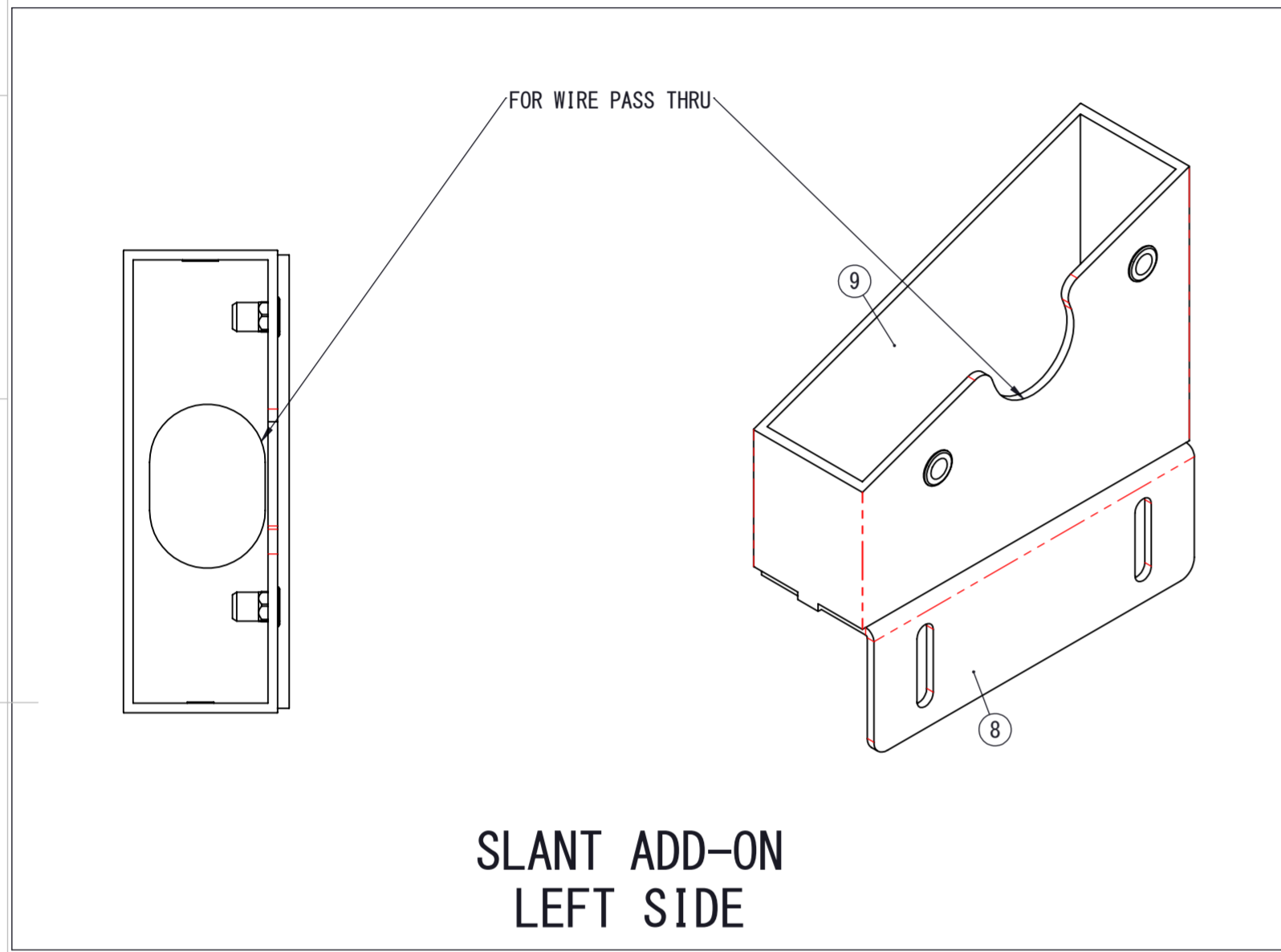
SCALE: 1:16

SHEET 1 OF 6

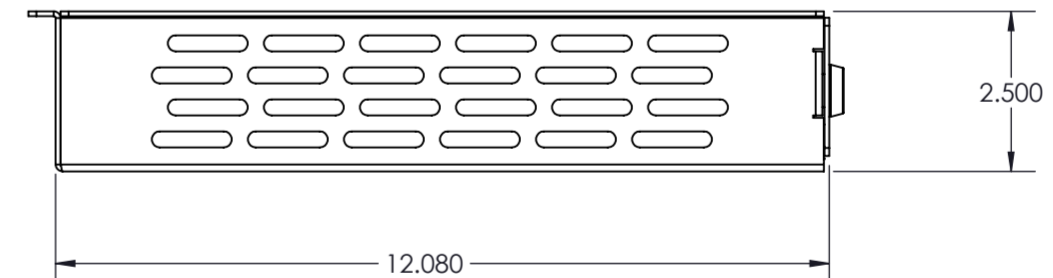
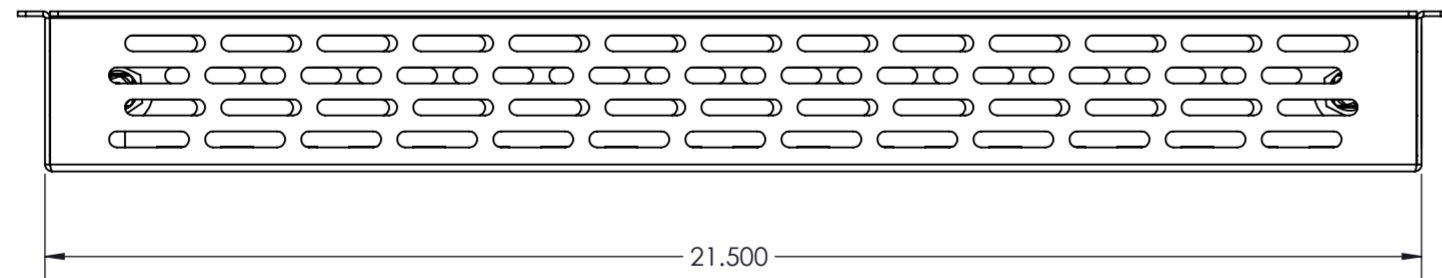
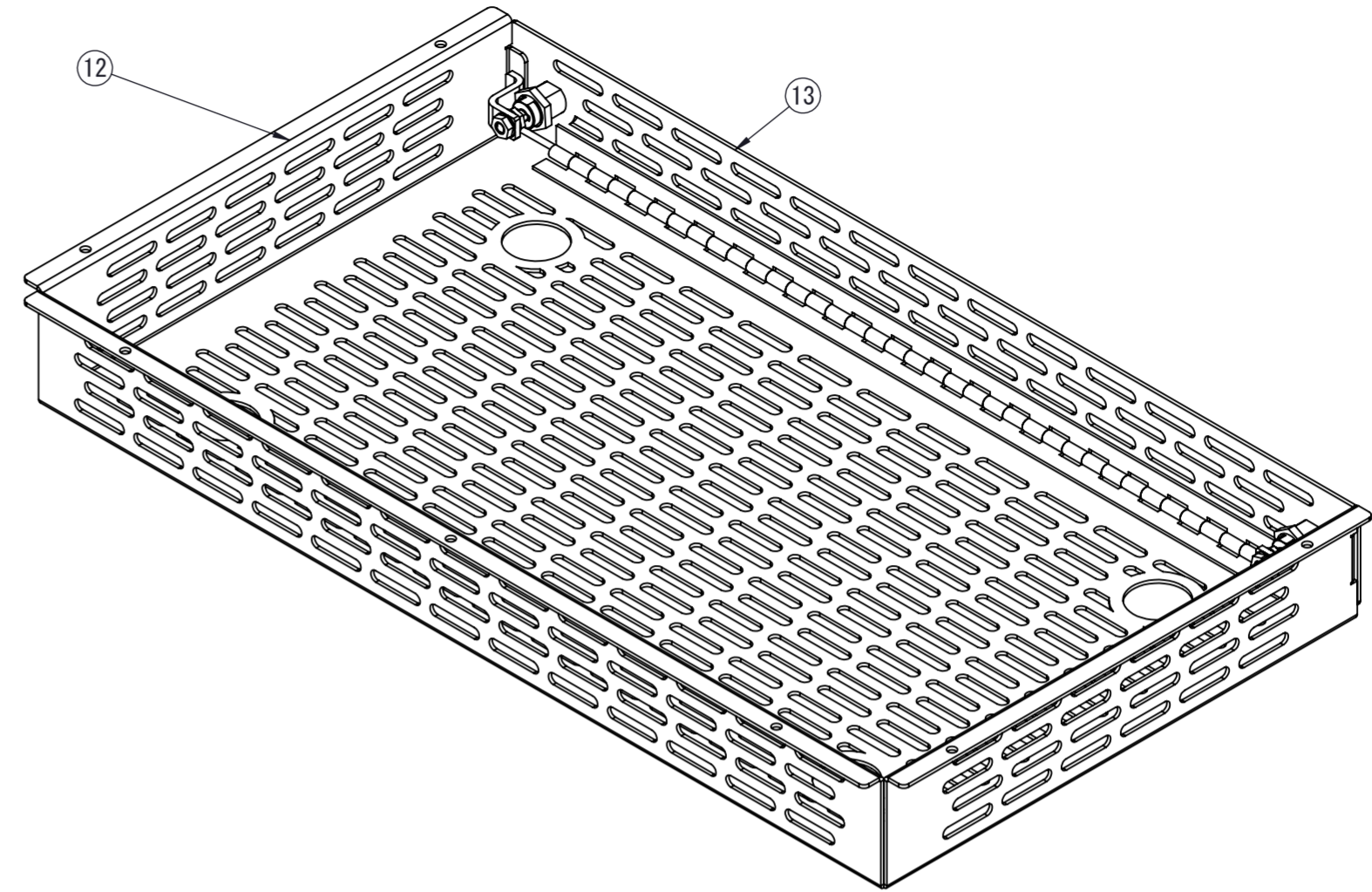
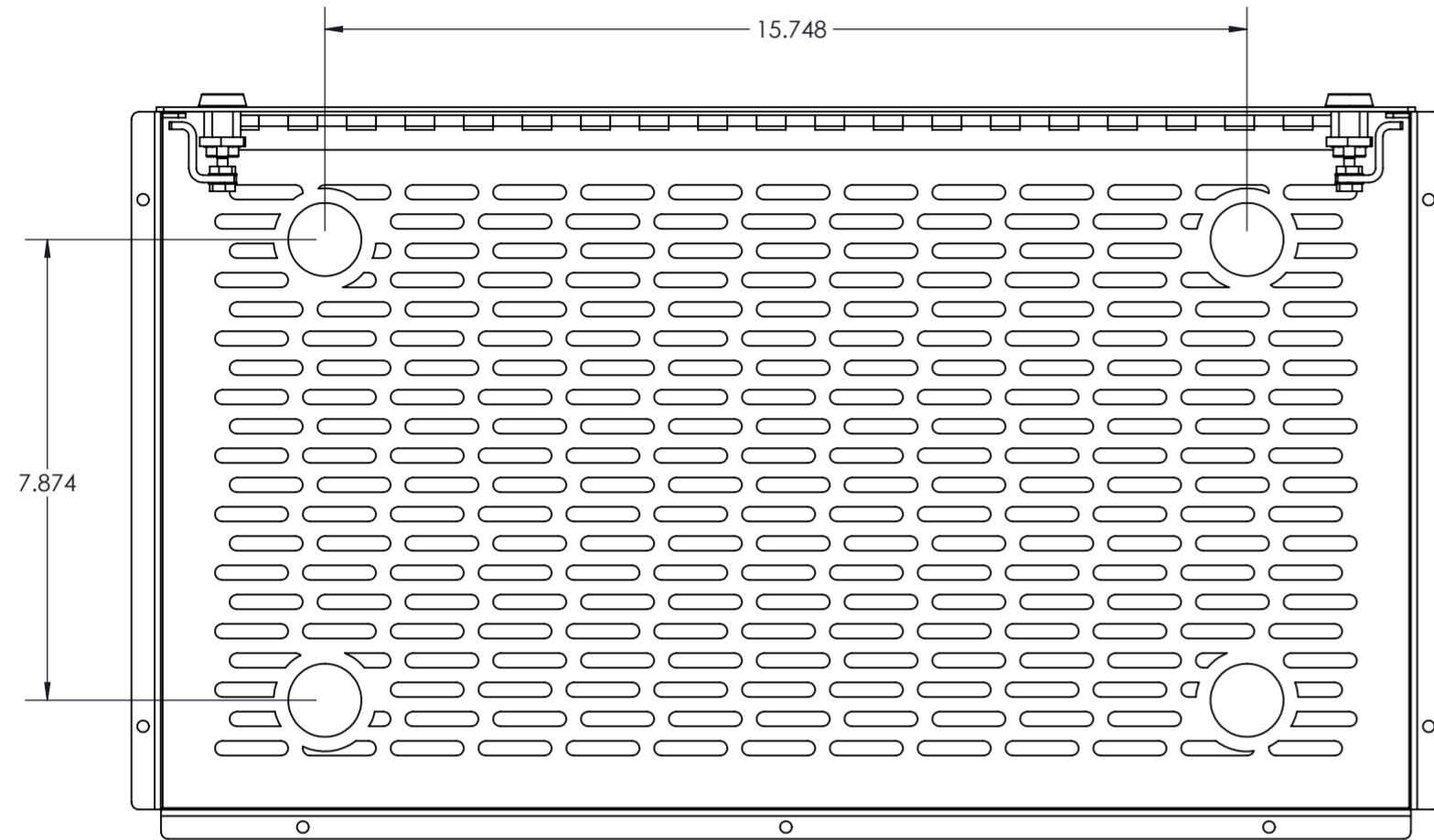
A2



UNLESS OTHERWISE SPECIFIED: DIMENSIONS ARE IN INCHES SURFACE FINISH: TOLERANCES: LINEAR: .01 ANGULAR: .5		FINISH:	DEBUR AND BREAK SHARP EDGES		DO NOT SCALE DRAWING	REVISION
				<b>Digital Touch Systems</b>		
				TITLE:		
DRAWN:	NAME	SIGNATURE	DATE			
CHK'D:						
APP'VD:						
MFG:						
Q.A.				MATERIAL:	DWG NO.	<b>DTS-46-LK</b>
				WEIGHT:	SCALE: 1:16	A2
				SHEET 2 OF 6		



UNLESS OTHERWISE SPECIFIED: DIMENSIONS ARE IN INCHES SURFACE FINISH: TOLERANCES: LINEAR: .01 ANGULAR: .5				FINISH:		DEBUR AND BREAK SHARP EDGES		DO NOT SCALE DRAWING		REVISION	
								<b>Digital Touch Systems</b>			
DRAWN:				NAME		SIGNATURE		DATE		TITLE:	
CHK'D:											
APP'V'D:											
MFG:											
Q.A.								MATERIAL:		DWG NO. <b>DTS-46-LK</b>	
								WEIGHT:		SCALE: 1:16	
										SHEET 3 OF 6	



UNLESS OTHERWISE SPECIFIED: DIMENSIONS ARE IN INCHES SURFACE FINISH: TOLERANCES: LINEAR: .01 ANGULAR: .5		FINISH:		DEBUR AND BREAK SHARP EDGES		DO NOT SCALE DRAWING		REVISION	
						<b>Digital Touch Systems</b>			
DRAWN:		NAME		SIGNATURE		DATE		TITLE:	
CHK'D:									
APP'VD:									
MFG:									
Q.A:						MATERIAL:		DWG NO. <b>DTS-46-LK</b>	
						WEIGHT:		SCALE: 1:8	
								SHEET 4 OF 6	