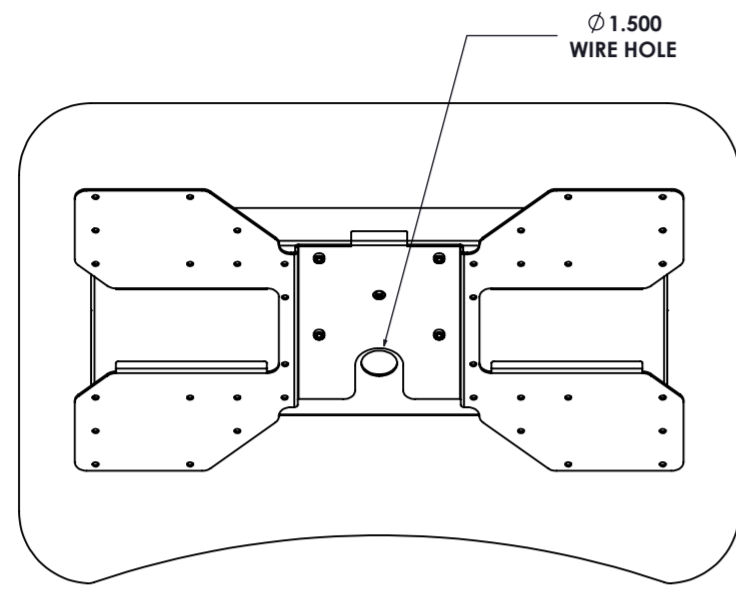
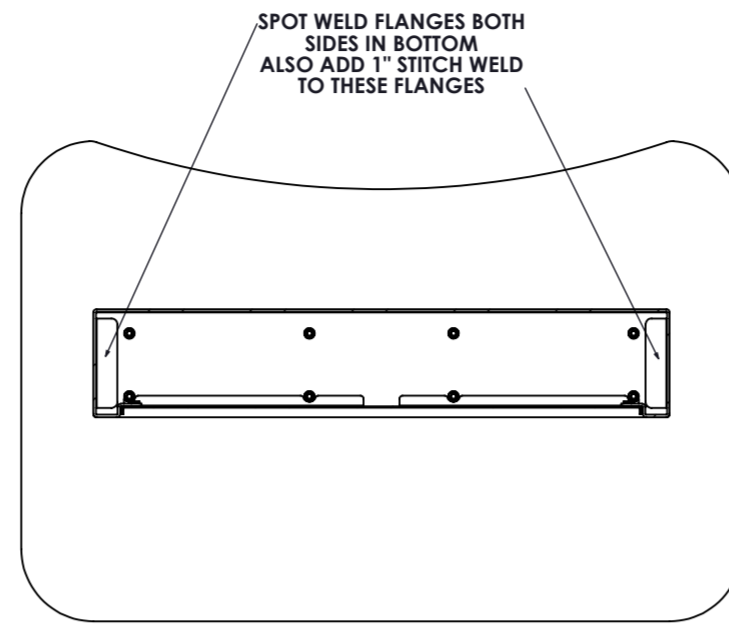


ITEM NO.	PART NUMBER	DESCRIPTION	QTY.
1	K450-01	.25" CRS	1
2	K450-03	12GA CRS MONITOR TO STAND MNT	1
3	K450-04	16GA CRS	1
4	K450-05	16GA CRS REAR COVER DOOR	1
5	SS-032-2ZI	10-32 ZINC PEM NUT	4
6	S-0420-2ZI	1/4"-20 ZINC PEM NUT	12
7	K450-06	12GA CRS SUPPORT SHELF	2
8	K450-07	16GA CRS	1
9	10-32-5-PEMSTUD	10-32X.5" SS PEM STUD	2
10	K450-11	16GA CRS	1
11	SS200-85-02	2" SS HINGE 8.5" LONG	1
12	SS200-115-02	2" SS HINGE 11.5" LONG	1
13	3-13BK01	STANDARD DIGITAL TOUCH LOCK	2
14	55 PCT	REFERENCE PCAP SCREEN	1

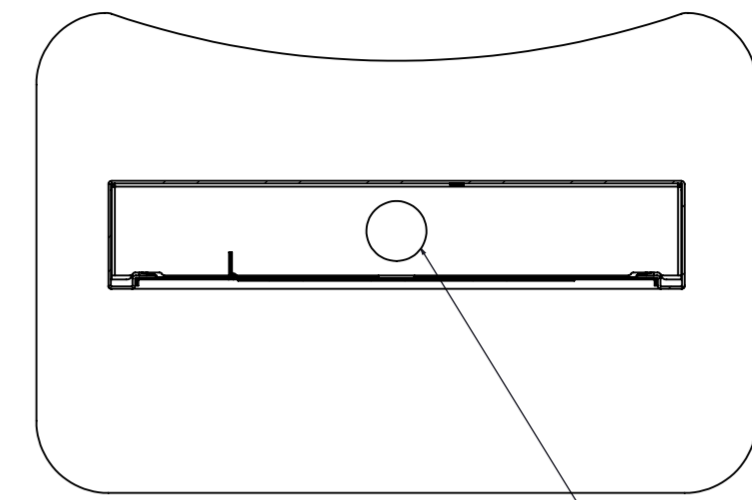
UNLESS OTHERWISE SPECIFIED: DIMENSIONS ARE IN INCHES SURFACE FINISH: TOLERANCES: LINEAR: .01 ANGULAR: .5		FINISH:	DEBUR AND BREAK SHARP EDGES	DO NOT SCALE DRAWING	REVISION
				Digital Touch Systems	
DRAWN:		NAME	SIGNATURE	DATE	TITLE:
CHK'D:					
APP'VD:					
MFG:					
Q.A. 1					
		MATERIAL:		DWG NO.	K450-55
		WEIGHT:		SCALE:1:6	A2
				SHEET 1 OF 4	



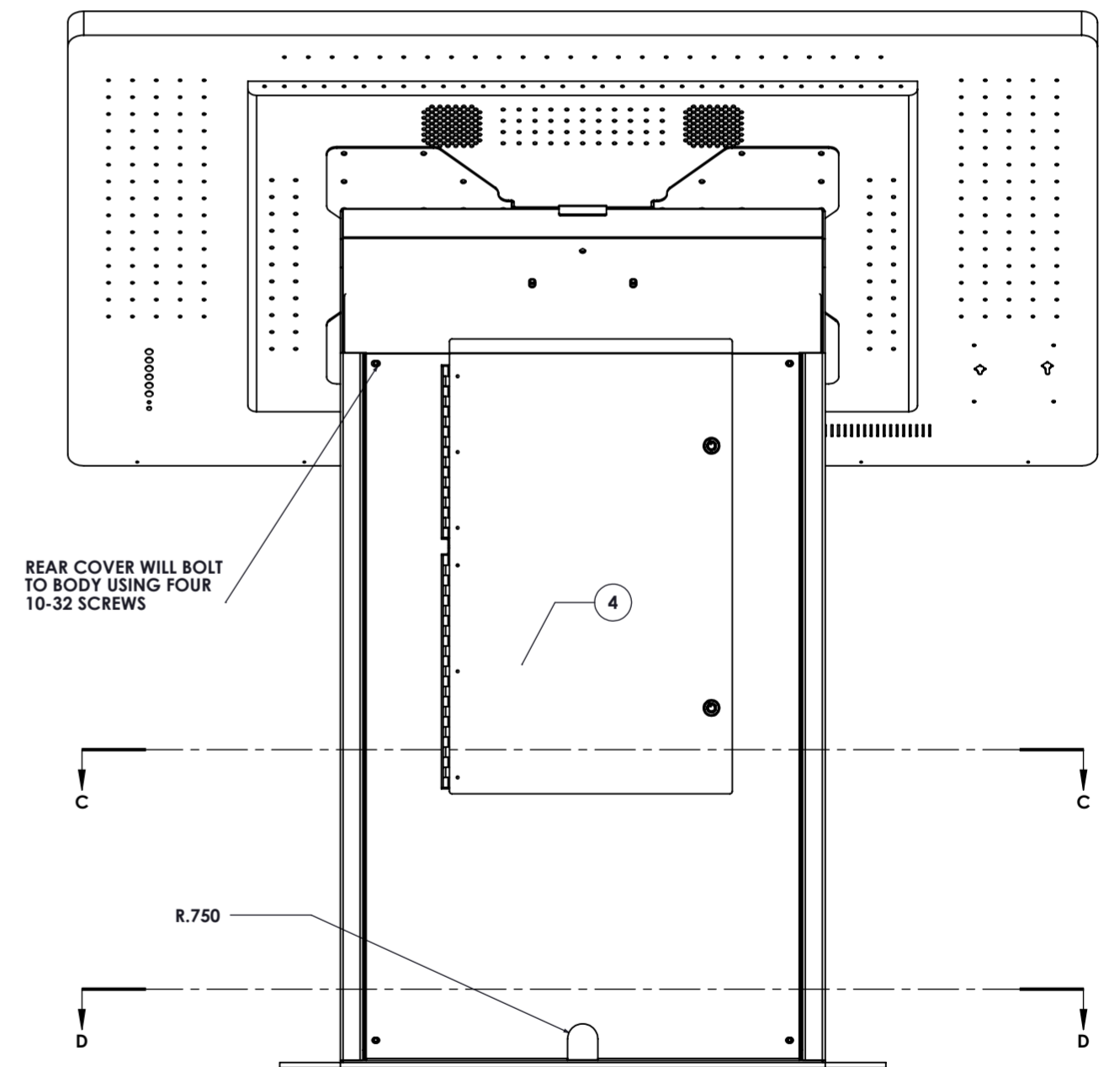
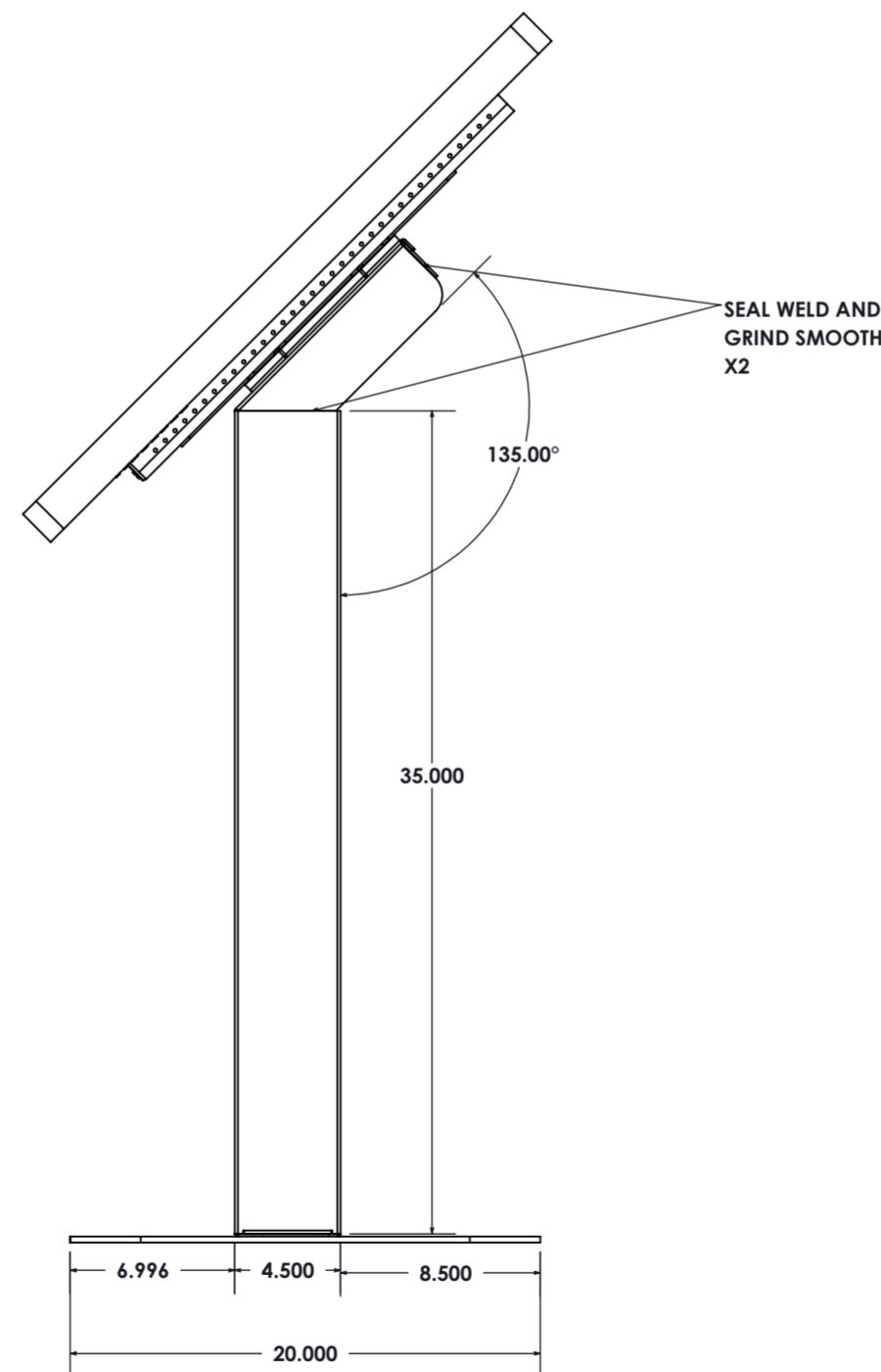
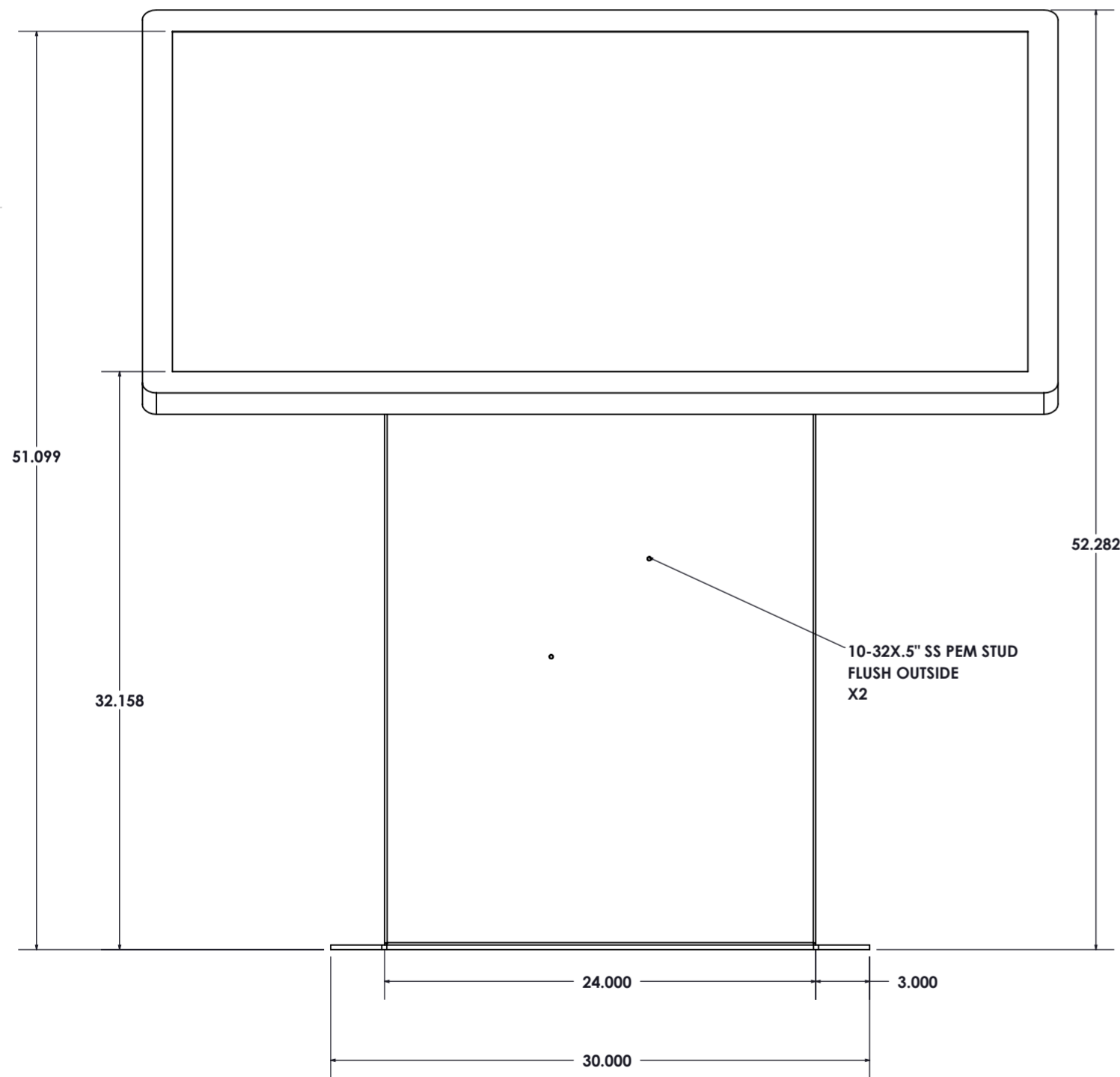
TOUCH SCREEN HIDDEN FOR CLARITY



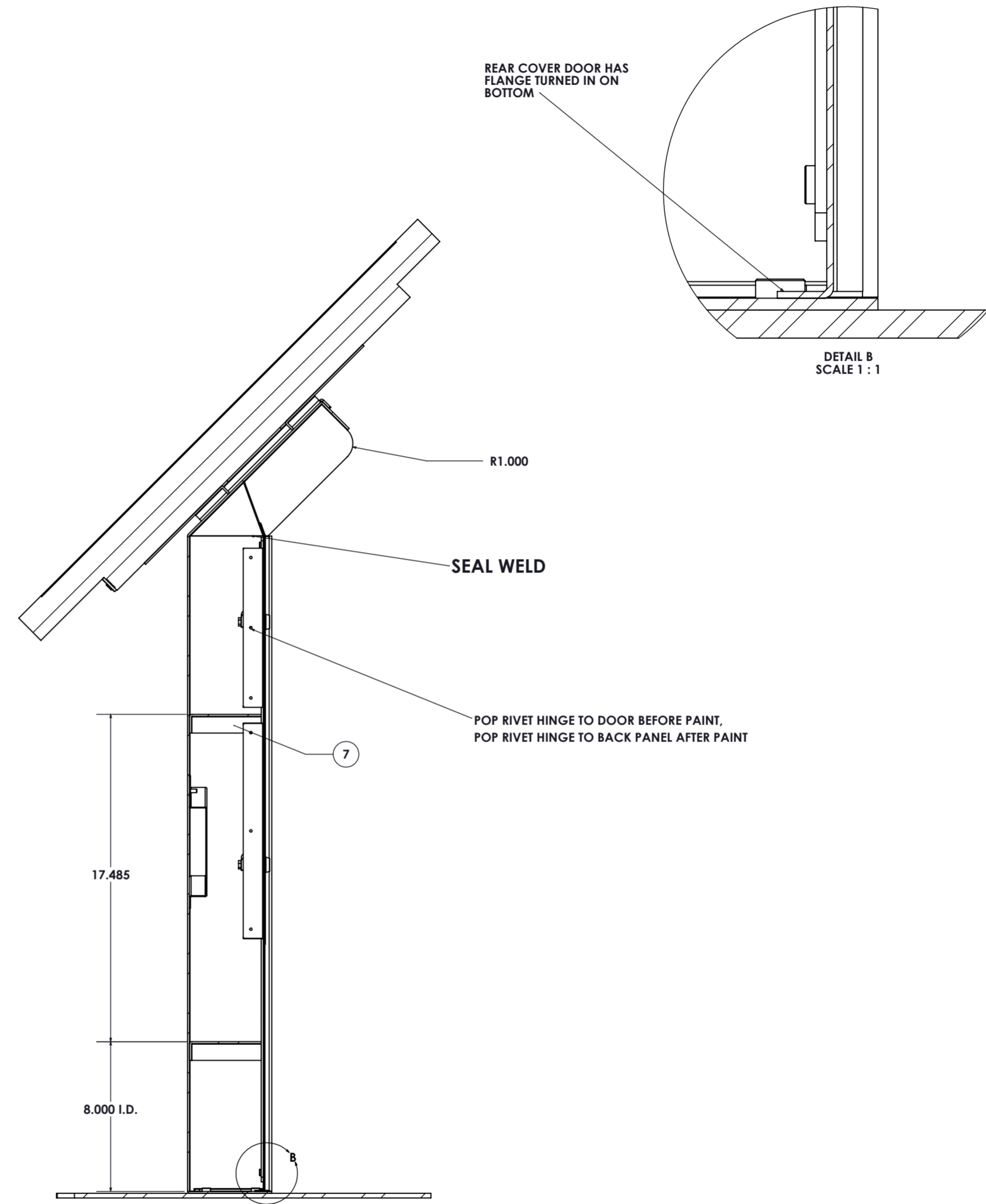
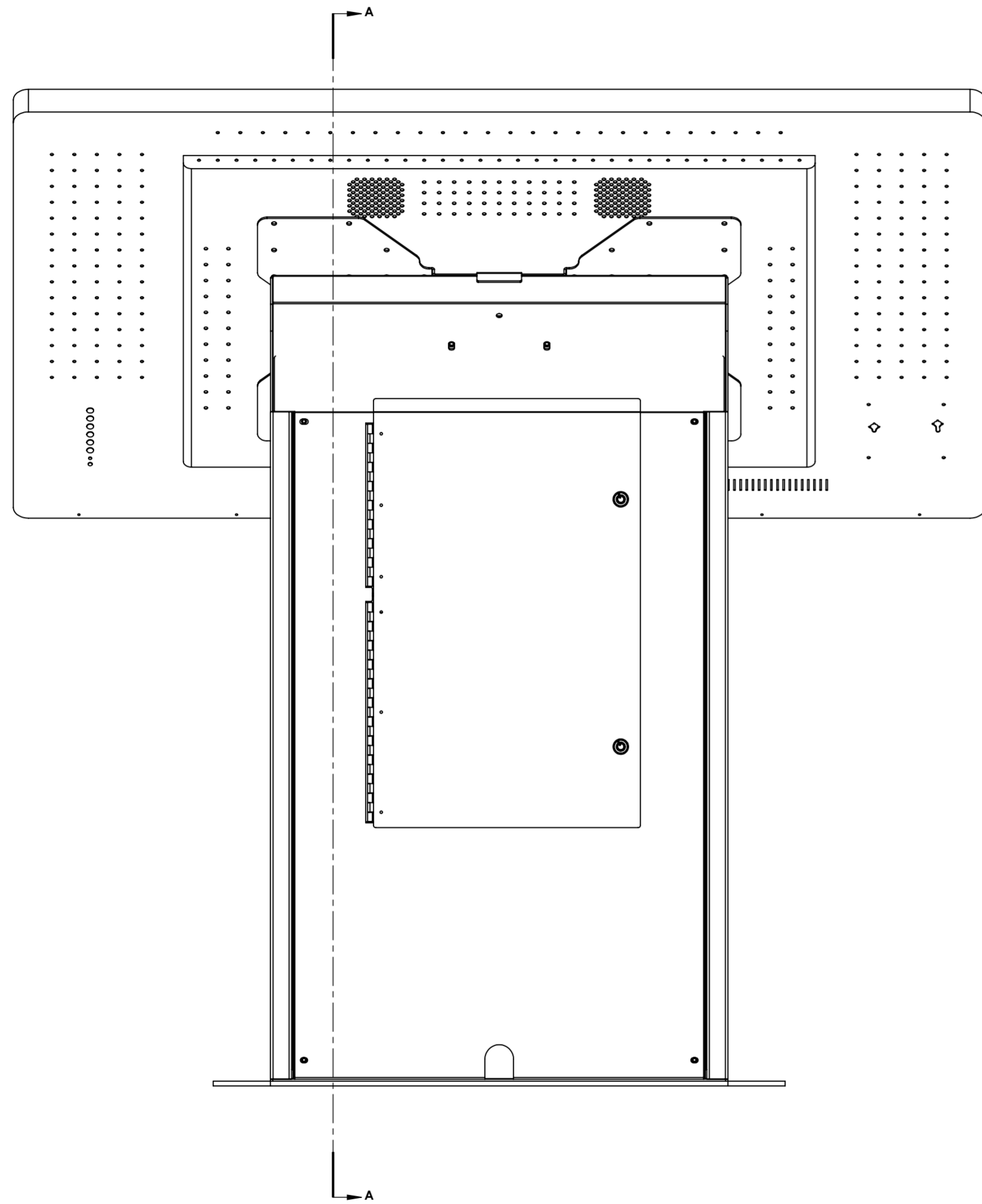
SECTION D-D



SECTION C-C



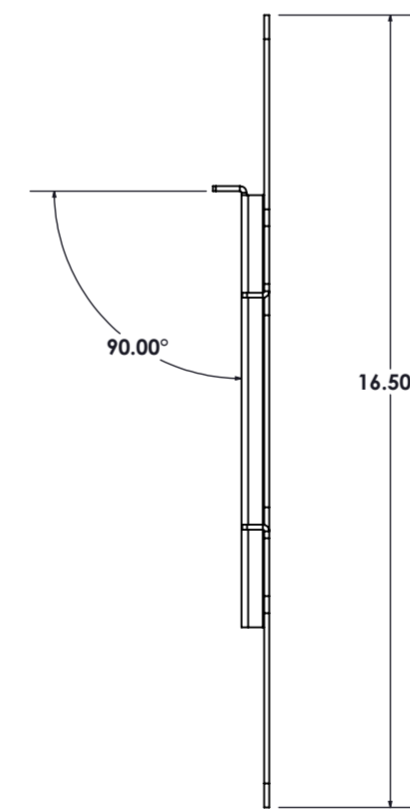
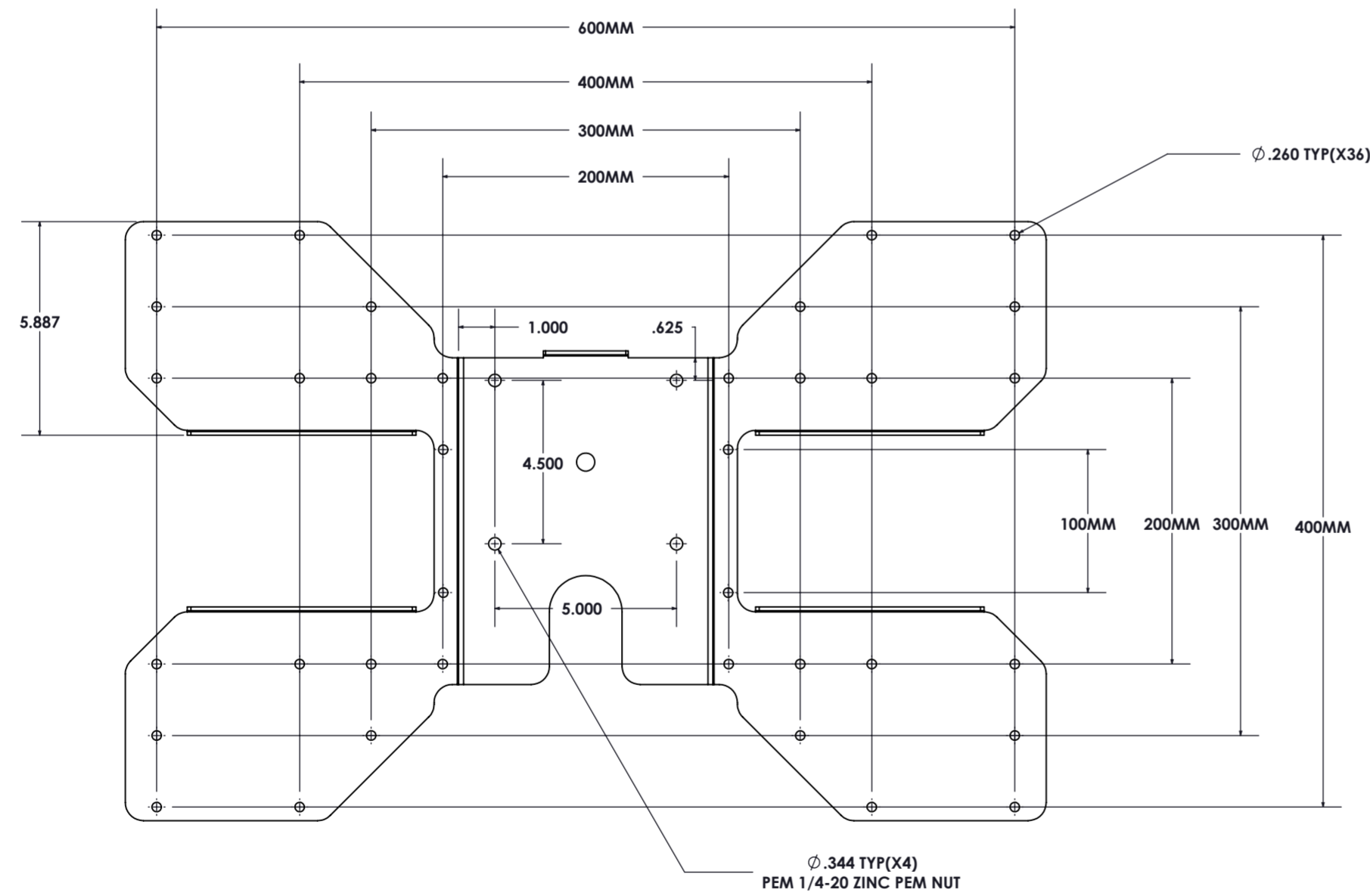
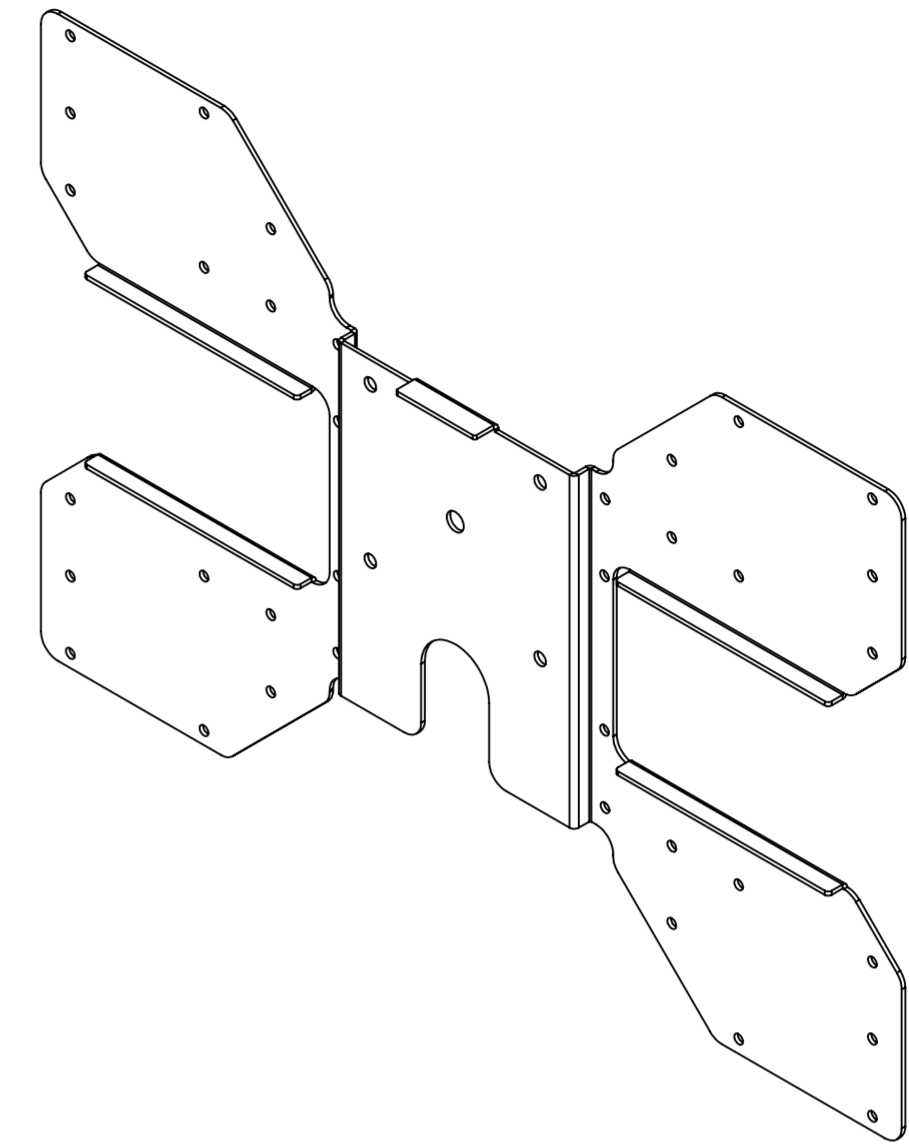
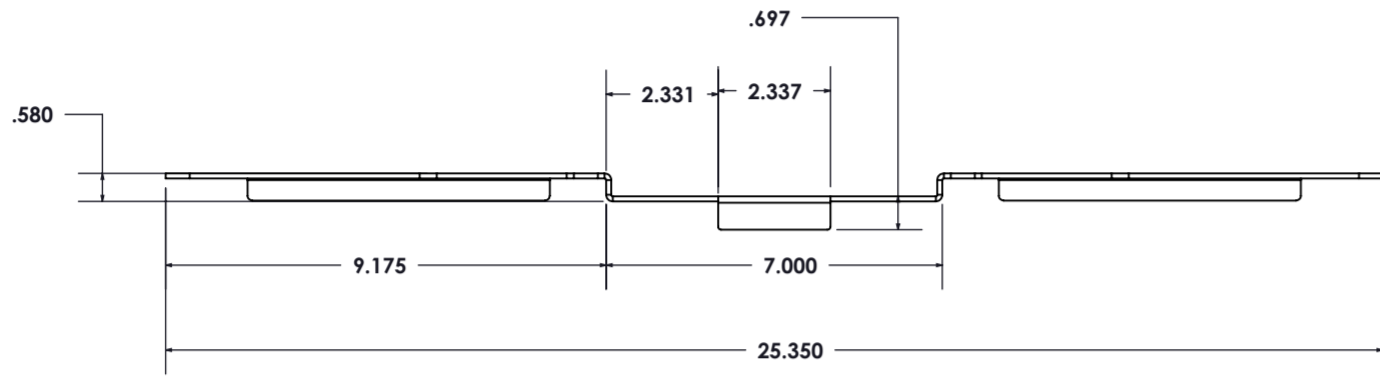
UNLESS OTHERWISE SPECIFIED: DIMENSIONS ARE IN INCHES SURFACE FINISH: TOLERANCES: LINEAR: .01 ANGULAR: .5		FINISH:	DEBUR AND BREAK SHARP EDGES	DO NOT SCALE DRAWING	REVISION
				Digital Touch Systems	
DRAWN:	NAME	SIGNATURE	DATE	TITLE:	
CHK'D:					
APP'V'D:					
MFG:					
Q.A.:					
			MATERIAL:	DWG NO.	K450-55
			WEIGHT:	SCALE: 1:8	A2
				SHEET 2 OF 4	



SECTION A-A

UNLESS OTHERWISE SPECIFIED: DIMENSIONS ARE IN INCHES SURFACE FINISH: TOLERANCES: LINEAR: .01 ANGULAR: .5		FINISH:	DEBUR AND BREAK SHARP EDGES		DO NOT SCALE DRAWING	REVISION
					Digital Touch Systems	
DRAWN:	NAME	SIGNATURE	DATE	TITLE:		
CHK'D:						
APP'VD:						
MFG:						
Q.A.:				MATERIAL:	DWG NO.	K450-55
				WEIGHT:	SCALE: 1:4	A2
					SHEET 3 OF 4	

ITEM NO.	PART NUMBER	DESCRIPTION	QTY.
1	K450-03	12GA CRS MONITOR TO STAND MNT	1



- NOTES:**
- MOUNTING BRACKET FITS THE FOLLOWING VESA HOLE PATTERNS
- | WIDTH | HEIGHT |
|---------|---------|
| • 200MM | X 100MM |
| • 200MM | X 200MM |
| • 300MM | X 200MM |
| • 300MM | X 300MM |
| • 400MM | X 200MM |
| • 400MM | X 400MM |
| • 600MM | X 200MM |
| • 600MM | X 300MM |
| • 600MM | X 400MM |

UNLESS OTHERWISE SPECIFIED: DIMENSIONS ARE IN INCHES SURFACE FINISH: TOLERANCES: LINEAR: .01 ANGULAR: .5		FINISH:	DEBUR AND BREAK SHARP EDGES	DO NOT SCALE DRAWING	REVISION
				Digital Touch Systems	
DRAWN:	NAME	SIGNATURE	DATE	TITLE:	
CHK'D:					
APP'V'D:					
MFG:					
Q.A. 1				MATERIAL: CS Gauge	DWG NO. K450-55
			WEIGHT:	SCALE: 1:4	SHEET 4 OF 4