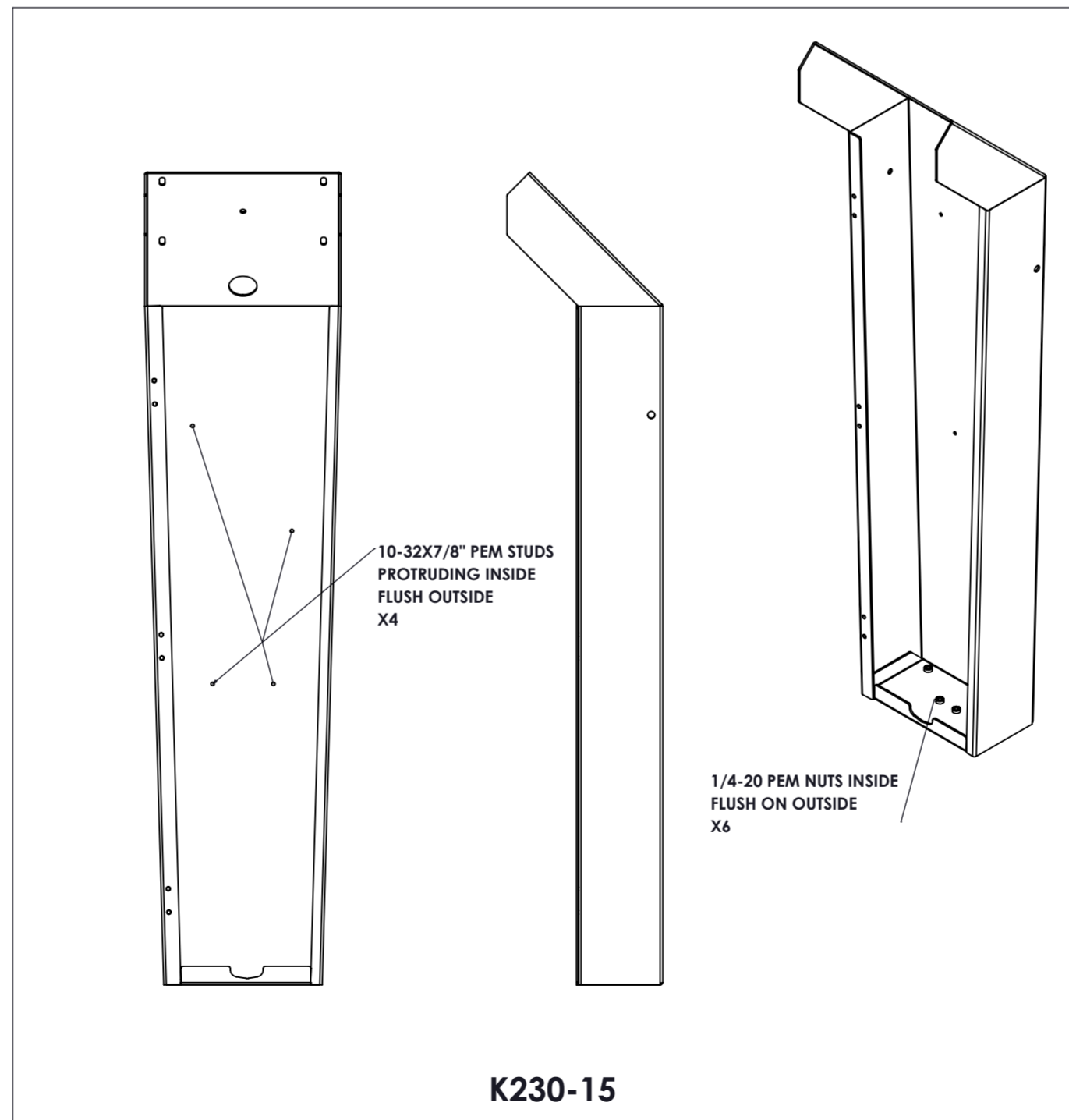
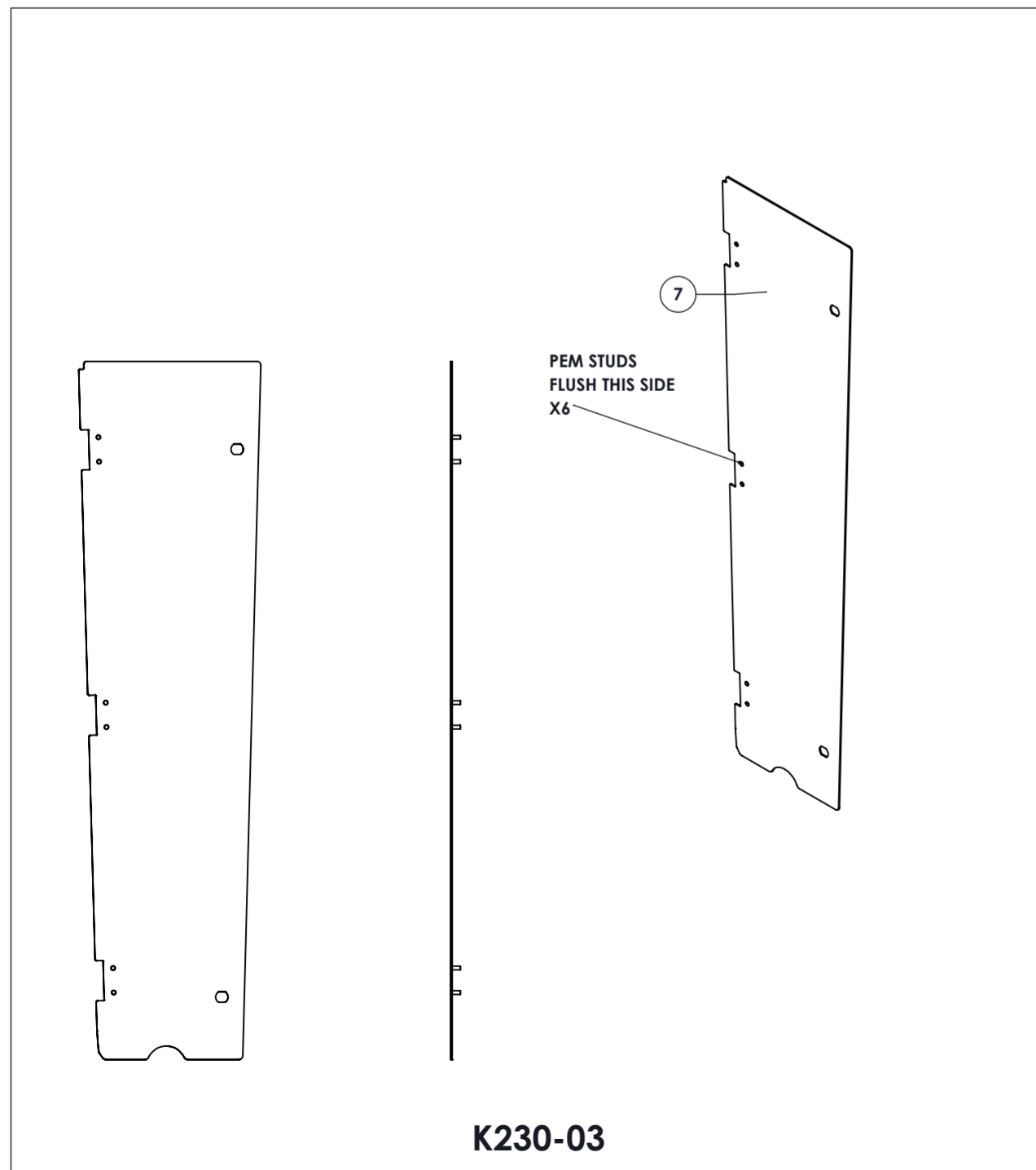
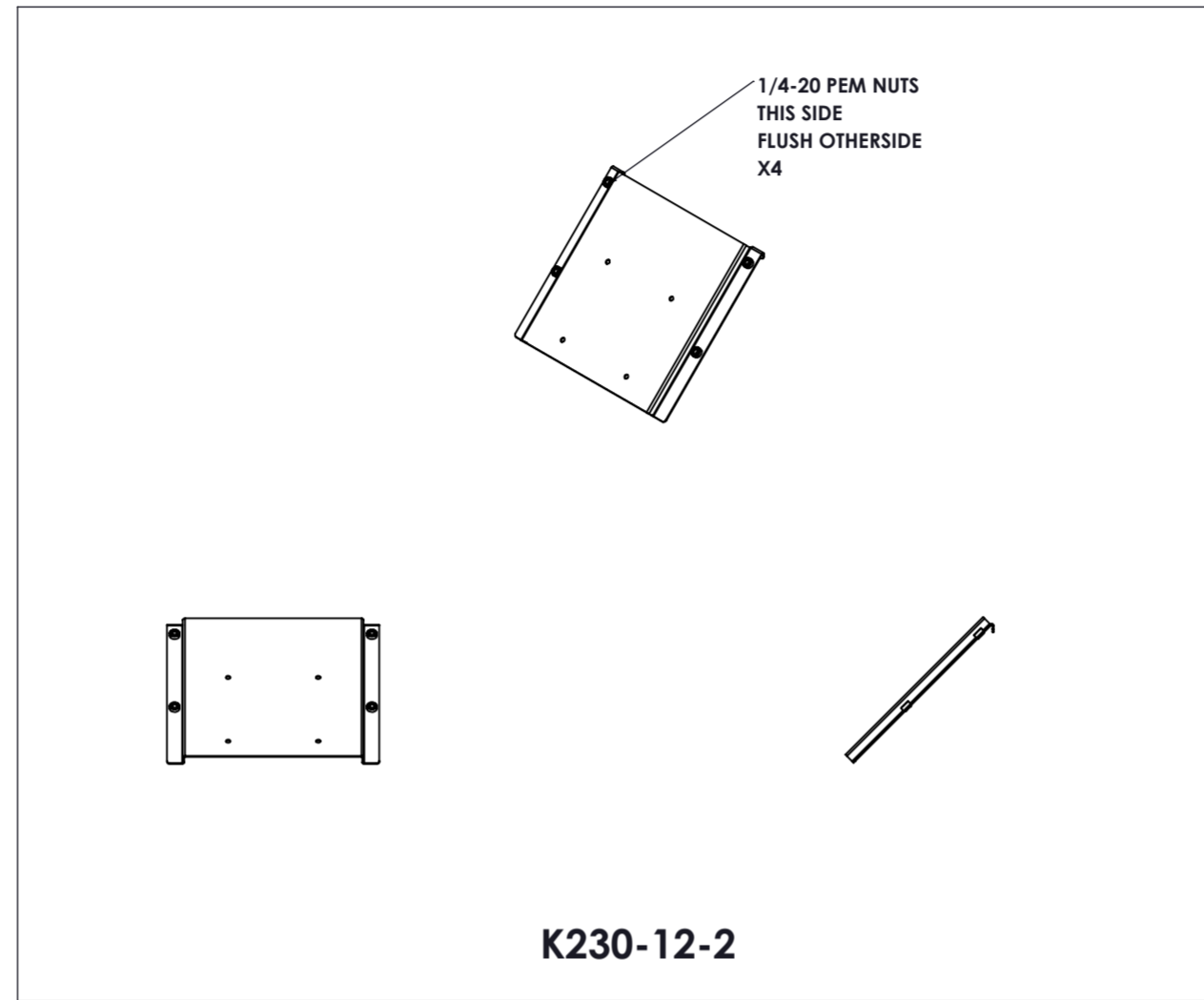
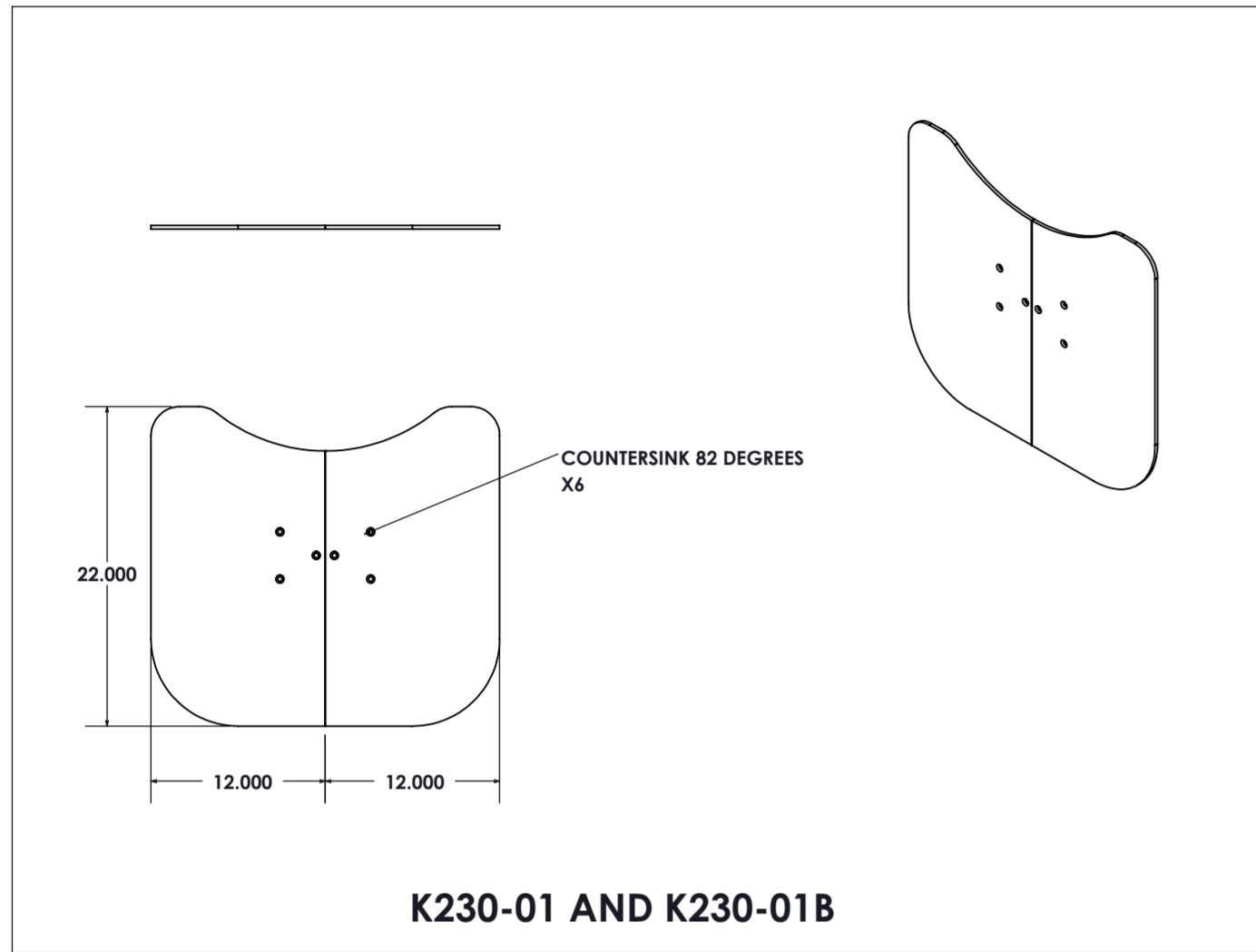


ITEM NO.	PART NUMBER	DESCRIPTION	QTY.
1	1151A65	K230 HINGE	3
2	1170858	18-8 Stainless Steel Thin Nylon-Insert Locknut, 10-32 Thread Size	12
3	FH-032-8ZC	10-32X.5" ZINC PEM STUD	12
4	FH-032-14ZI	10-32 7/8" Long Zinc Pem Studs (1" is ok)	4
5	K230-01	.25" CRS BASE	1
6	K230-01-B	.25" CRS BASE	1
7	K230-03	16GA CRS REAR COVER PLATE	1
8	K230-05	16GA CRS	1
9	K230-06	16GA CRS	1
10	K230-09	12GA CRS	1
11	K230-10	12GA CRS	1
12	K230-11	12GA CRS	1
13	K230-12-2	16GA CRS MONITOR TO STAND MNT	1
14	K230-14	12 GA CRS	1
15	K230-15	12GA CRS	1
16	S-0420-1ZI	1/4-20 ZINC PEM NUT	14
17	T3-PC	PC Reference Model	1
18	24 PCT	24" PCAP SCREEN FOR REFRENCE	1

UNLESS OTHERWISE SPECIFIED: DIMENSIONS ARE IN INCHES SURFACE FINISH: TOLERANCES: LINEAR: .01 ANGULAR: .5		FINISH:	DEBUR AND BREAK SHARP EDGES	DO NOT SCALE DRAWING	REVISION 02
				Digital Touch Systems	
DRAWN:	NAME	SIGNATURE	DATE	TITLE:	
CHK'D:	XX		XX/XX/XXXX		
APP'VD:					
MFG:					
Q.A.			MATERIAL:	DWG NO. K230-24	A2
			WEIGHT:	SCALE: 1:8	SHEET 1 OF 3



UNLESS OTHERWISE SPECIFIED: DIMENSIONS ARE IN INCHES SURFACE FINISH: TOLERANCES: LINEAR: .01 ANGULAR: .5		FINISH:	DEBUR AND BREAK SHARP EDGES	DO NOT SCALE DRAWING	REVISION 02
				Digital Touch Systems	
DRAWN:	NAME	SIGNATURE	DATE	TITLE:	
CHK'D:	XX		XX/XX/XXXX		
APPV'D:					
MFG:					
Q.A.			MATERIAL:	DWG NO.	K230-24
			WEIGHT:	SCALE: 1:12	A2
				SHEET 3 OF 3	