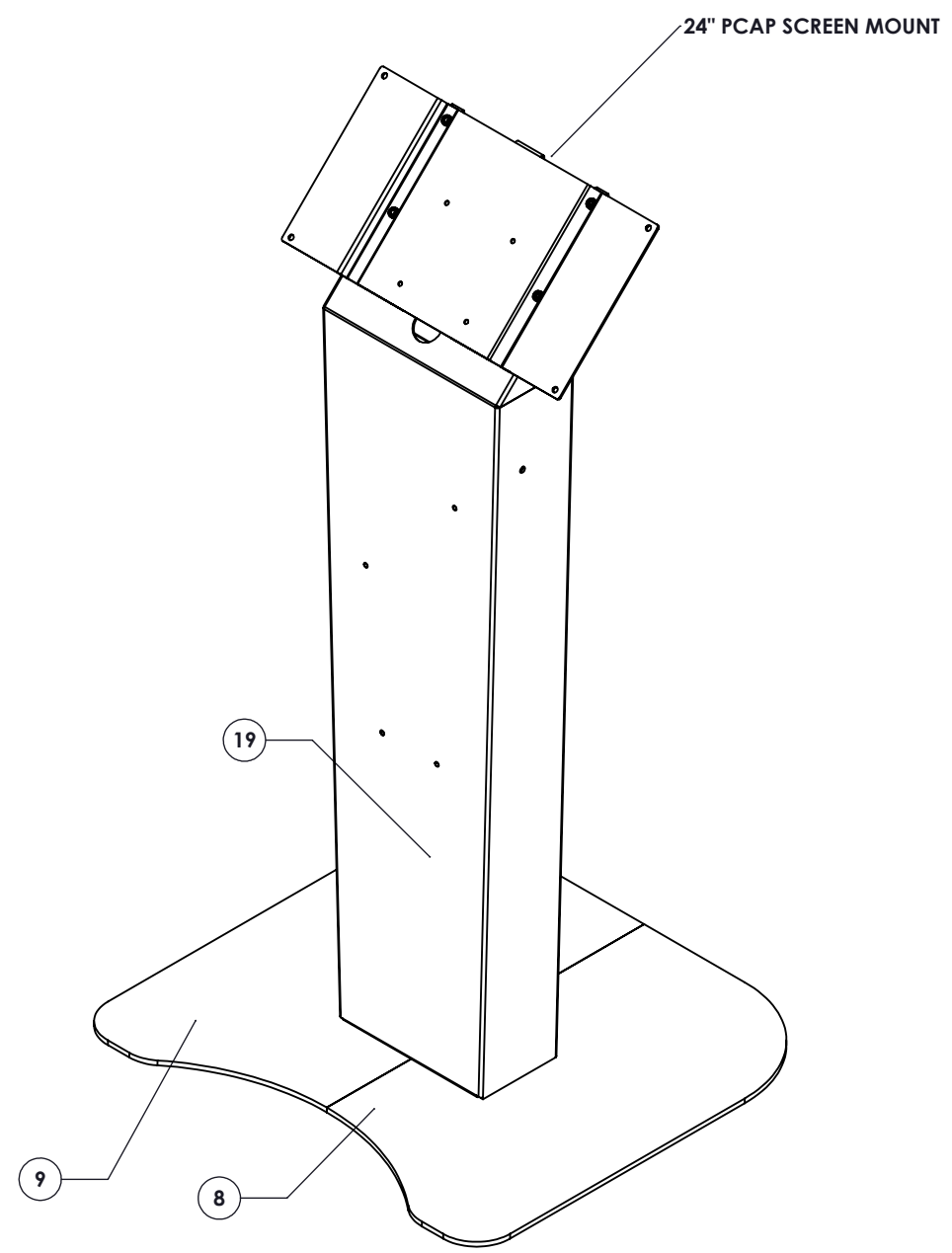


8 7 6 5 4 3 2 1

D
C
B
A



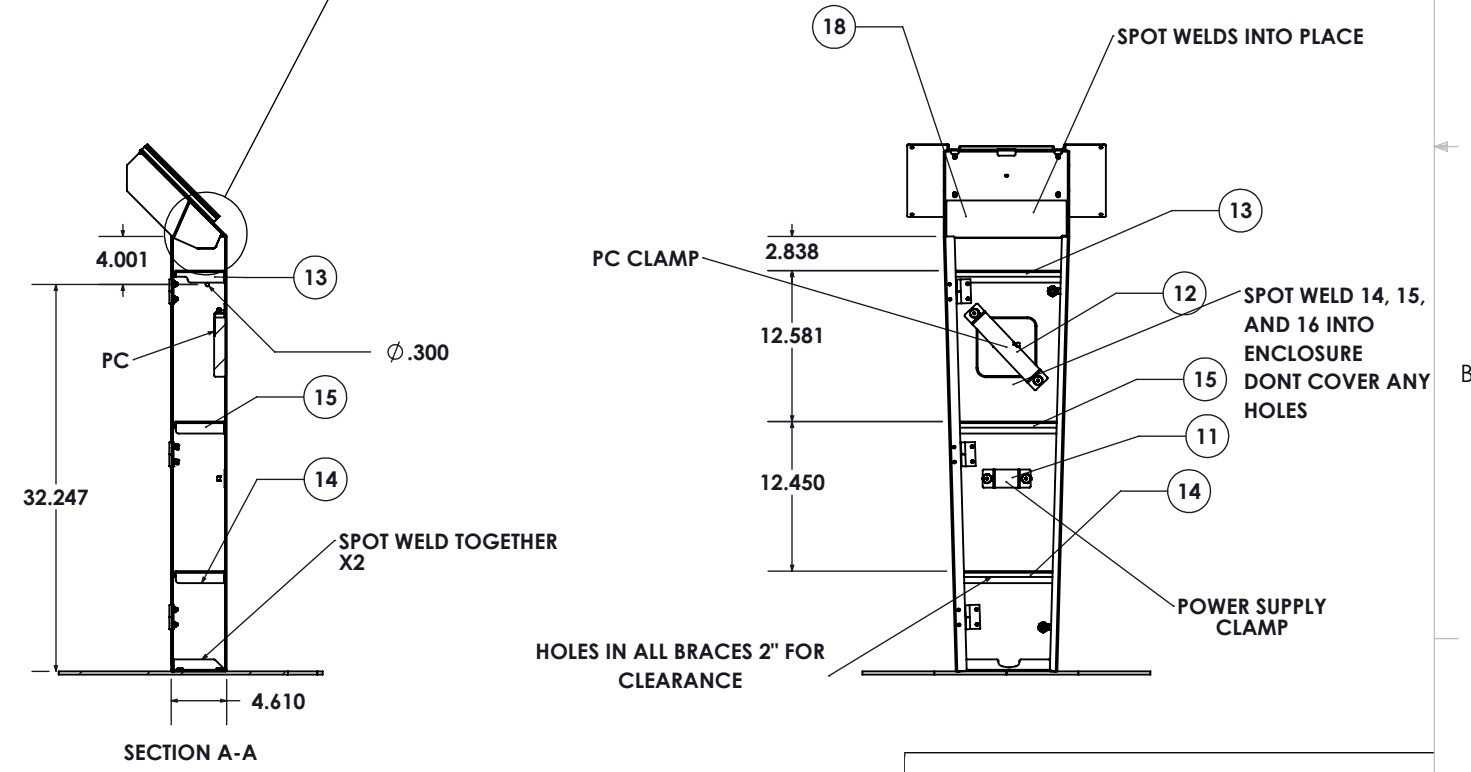
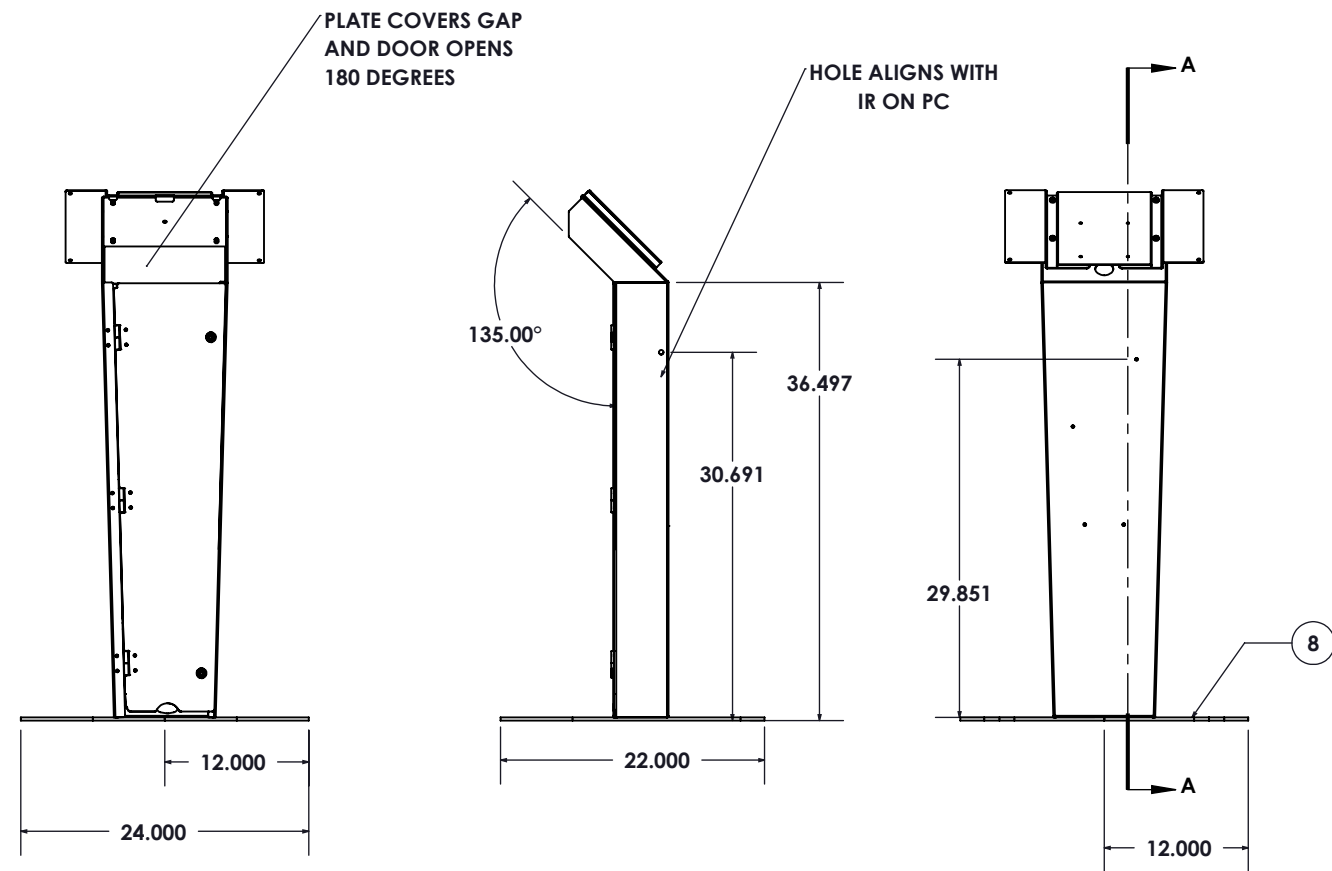
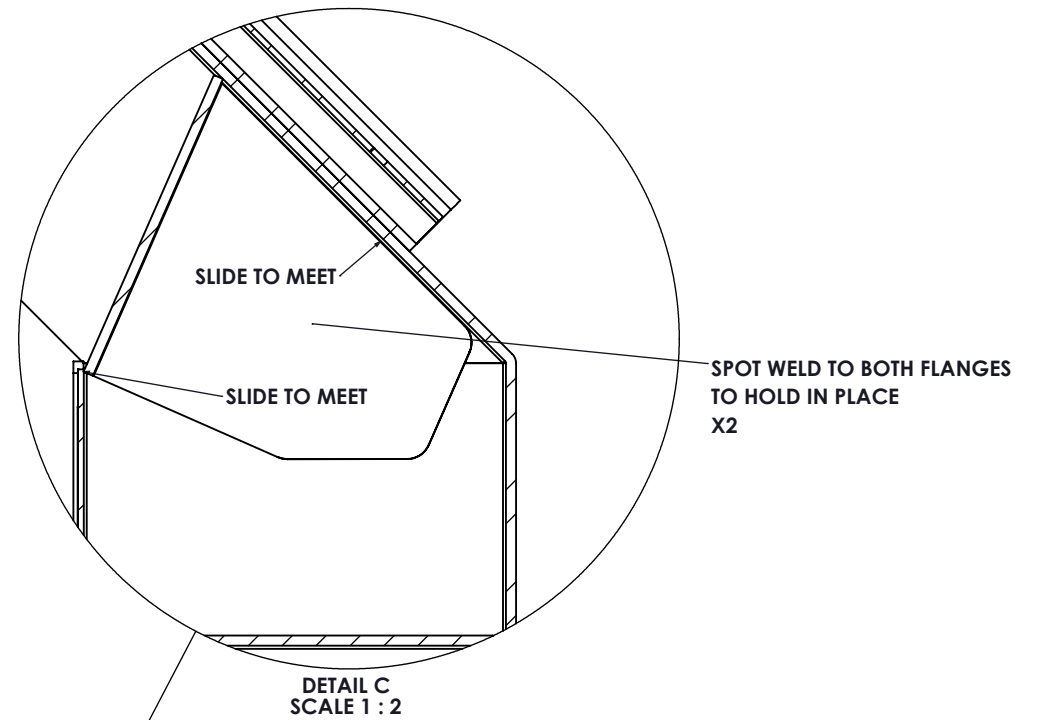
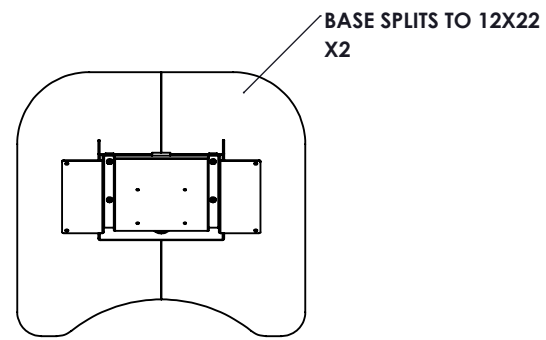
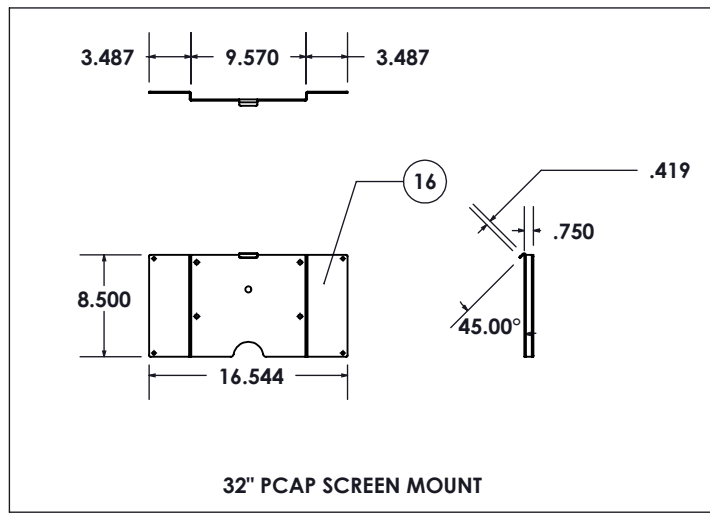
ITEM NO.	PART NUMBER	DESCRIPTION	QTY.
1	3-13BK01	DOOR LOCK	2
2	1151A650	2" CRS LIFT OFF HINGE (POWDER COAT)	3
3	6121K111	THUMB SCREW KNOB FOR REFERENCE	4
4	90101A225	10-32 NYLOCK NUT SS	12
5	FH-032-14ZI	10-32 7/8" Long Zinc Pem Studs (1" is ok)	4
6	FH-032-8ZC	10-32X.5" ZINC PEM STUD	12
7	S-0420-2ZI	1/4-20 ZINC PEM NUT	14
8	K230-01	.25" CRS BASE	1
9	K230-01-B	.25" CRS BASE	1
10	K230-03	16GA CRS REAR COVER PLATE	1
11	K230-05	16GA CRS	1
12	K230-06	16GA CRS	1
13	K230-09	12GA CRS	1
14	K230-10	12GA CRS	1
15	K230-11	12GA CRS	1
16	K230-12	12GA CRS	1
17	K230-12-2	12GA CRS	1
18	K230-14	12 GA CRS	1
19	K230-15	12GA CRS	1

8 7 6 5 4 3 2 1

TOLERANCE - UNLESS OTHERWISE SPECIFIED		NAME	DATE
FABRICATION (IN)	MACHINING (IN)	DRAWN	BCP
0" - 24" ± 1/16"	.X ± .030"	CHECKED	3/19/2018
24" - 120" ± 1/8"	.XX ± .015"	ENG APPR.	
10" - 20" ± 1/4"	.XXX ± .005"	MFG APPR.	
20" & OVER ± 1/2"		Q.A.	
ANGULAR: MACHINING ± .5°, FABRICATION ± 1°		COMMENTS:	
REMOVE ALL SHARP CORNERS AND BURRS			
FINISH:			
DO NOT SCALE DRAWING			

DigitalTouch

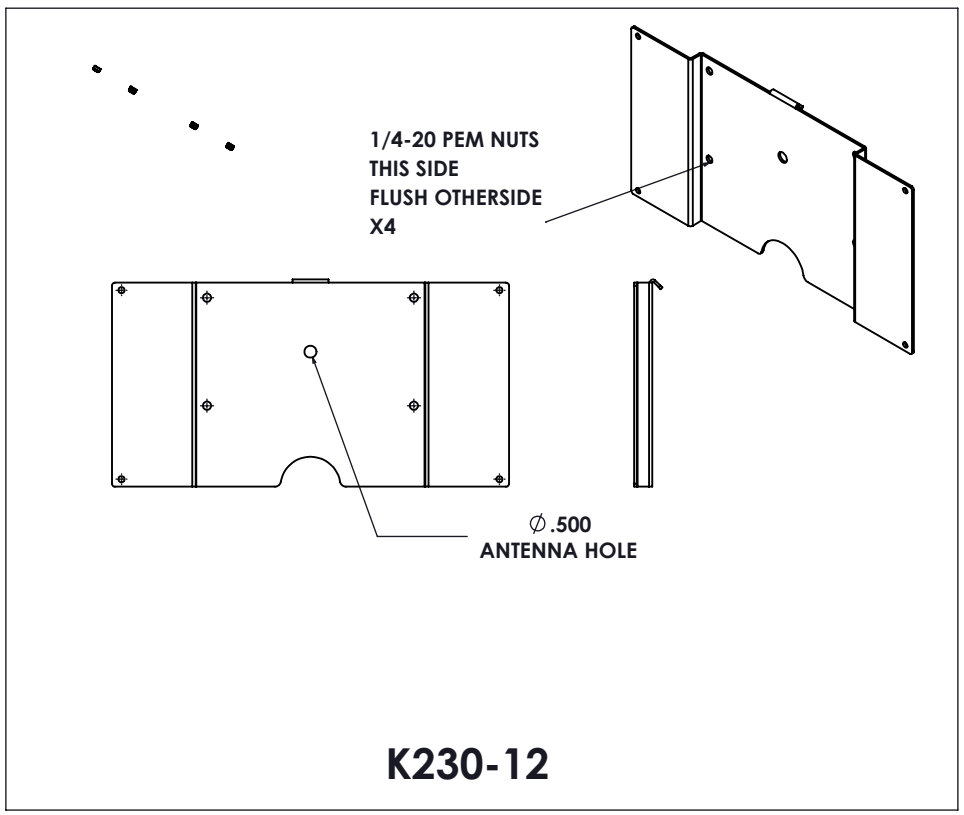
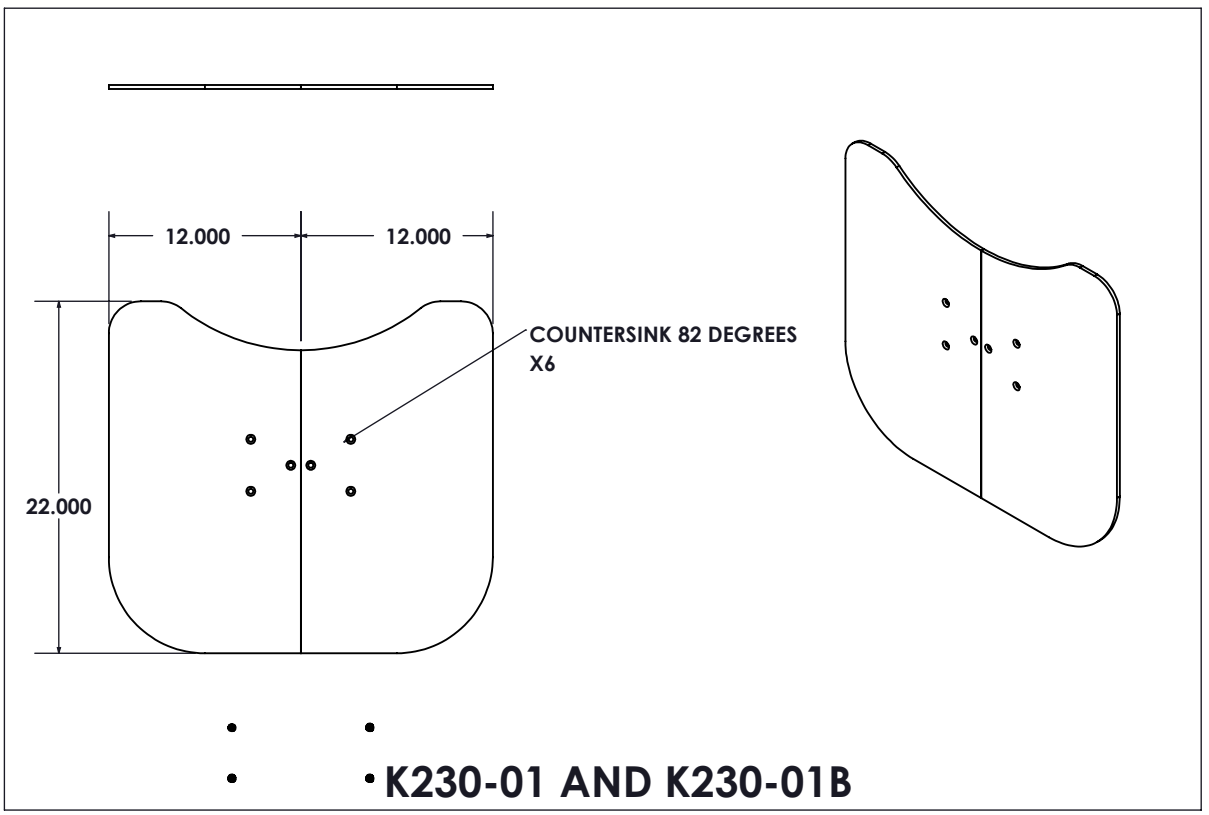
SIZE B	DWG. NO. K230	REV 02
SCALE: NONE	LBS:	SHEET 1 OF 3



DigitalTouch

SIZE B	DWG. NO. K230	REV 02
SCALE: NONE LBS:		SHEET 2 OF 3

D



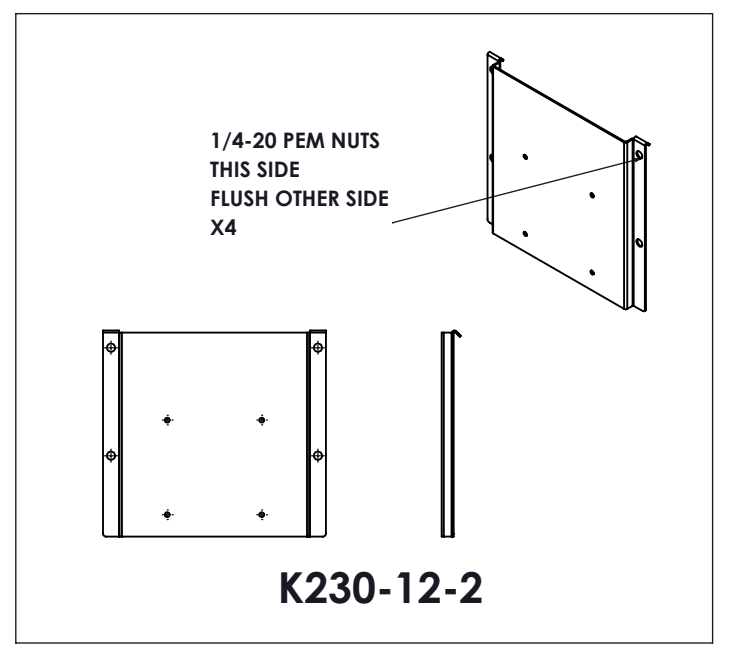
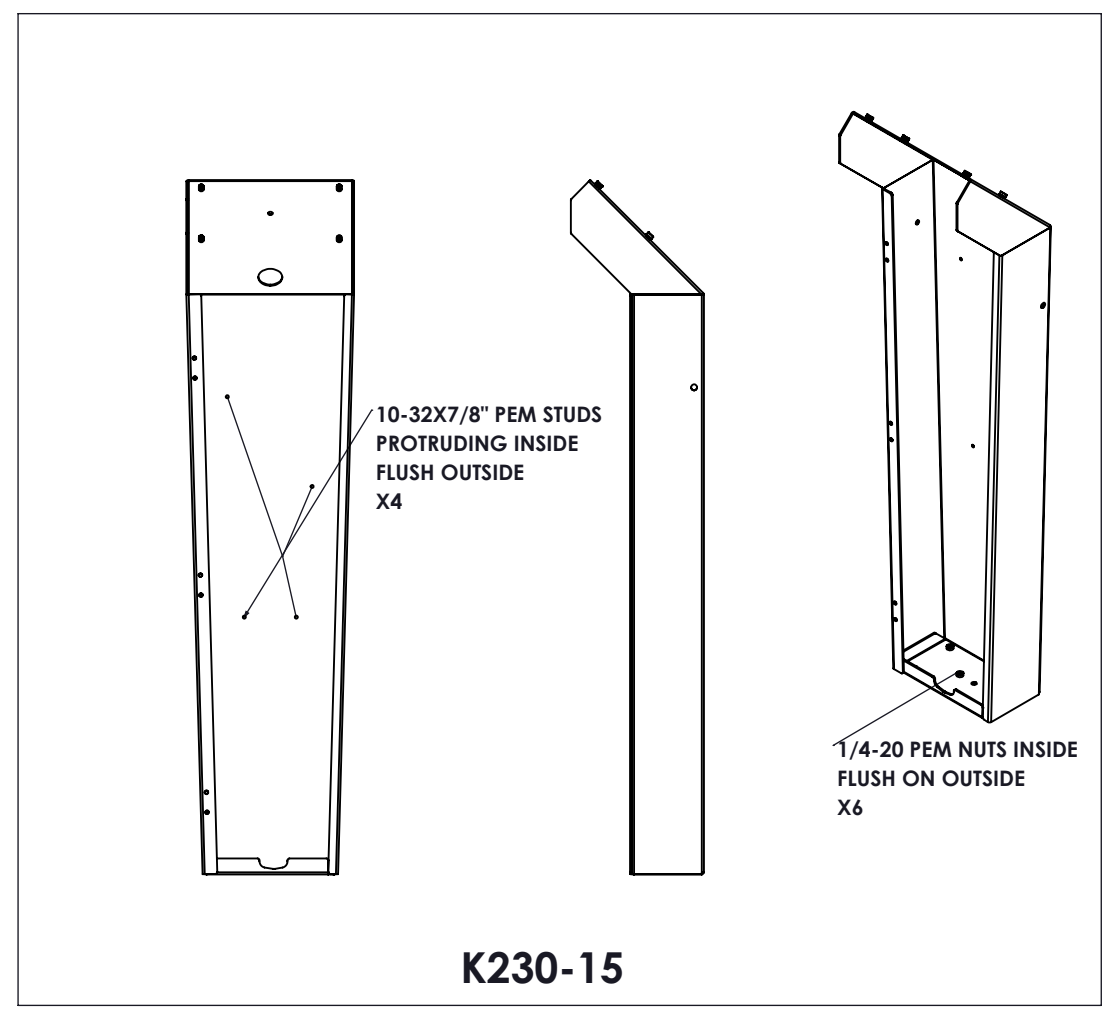
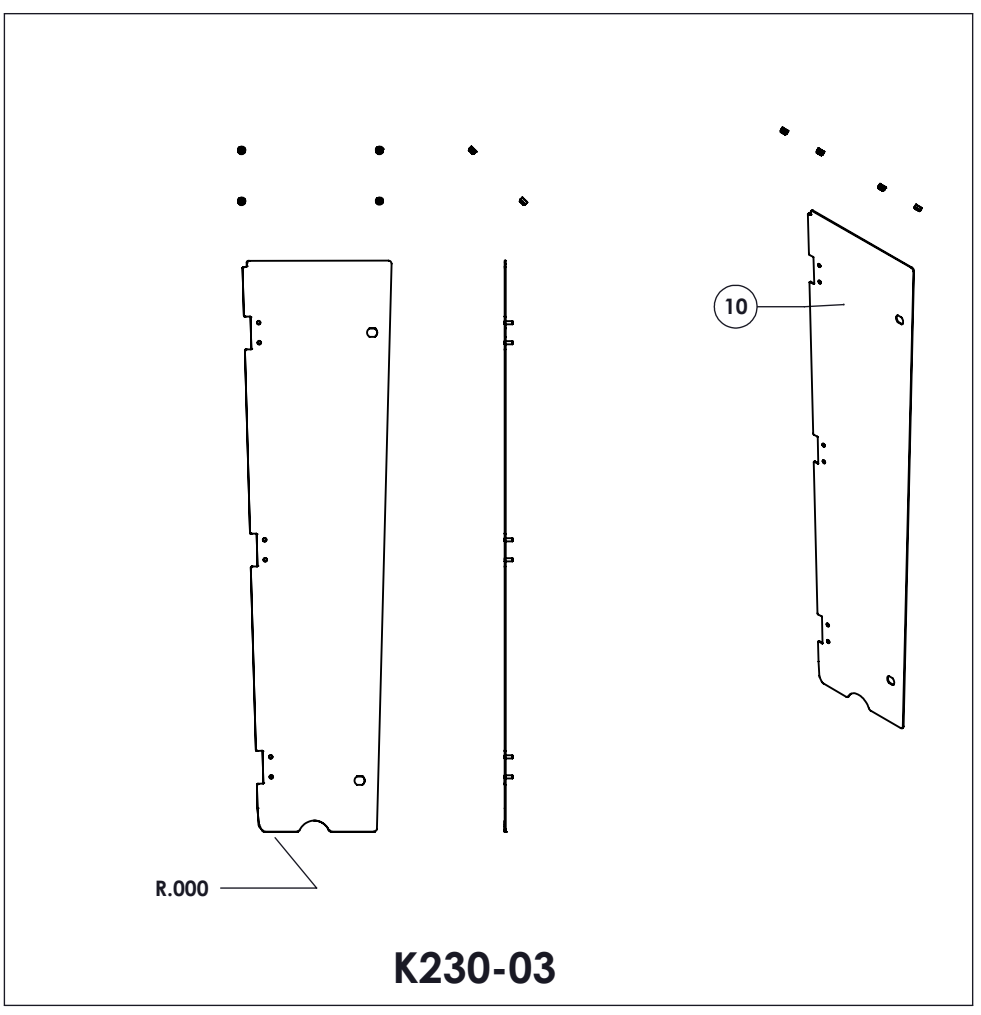
D

C

C

B

B



A

A

DigitalTouch

SIZE B	DWG. NO. K230	REV 02
SCALE: NONE LBS:		SHEET 3 OF 3