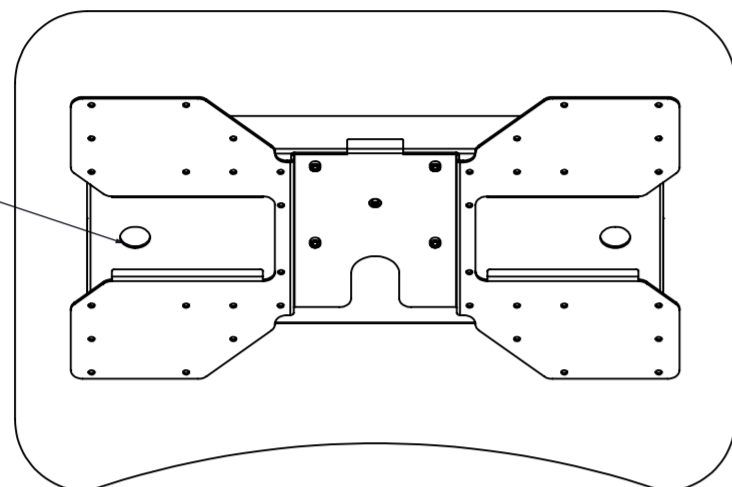


ITEM NO.	PART NUMBER	DESCRIPTION	QTY.
1	3-13BK01	STANDARD DIGITAL TOUCH LOCK	2
2	10-32-5-PEMSTUD	10-32X.5" SS PEM STUD	2
3	K450-01	.25" CRS	1
4	K450-03	12GA CRS MONITOR TO STAND MNT	1
5	K450-04	16GA CRS	1
6	K450-05	16GA CRS REAR COVER DOOR	1
7	K450-06	12GA CRS SUPPORT SHELF	2
8	K450-07	16GA CRS	1
9	K450-11	16GA CRS	1
10	S-0420-2ZI	1/4"-20 ZINC PEM NUT	12
11	SS-032-2ZI	10-32 ZINC PEM NUT	4
12	SS200-85-02	2" SS HINGE 8.5" LONG	1
13	SS200-115-02	2" SS HINGE 11.5" LONG	1

UNLESS OTHERWISE SPECIFIED: DIMENSIONS ARE IN INCHES SURFACE FINISH: TOLERANCES: LINEAR: .01 ANGULAR: .5		FINISH:	DEBUR AND BREAK SHARP EDGES	DO NOT SCALE DRAWING	REVISION
				Digital Touch Systems	
DRAWN:		NAME	SIGNATURE	DATE	TITLE:
CHK'D:					
APP'V'D:					
MFG:					
Q.A. 1					
		MATERIAL:		DWG NO.	K450
		WEIGHT:		SCALE: 1:6	A2
				SHEET 1 OF 4	

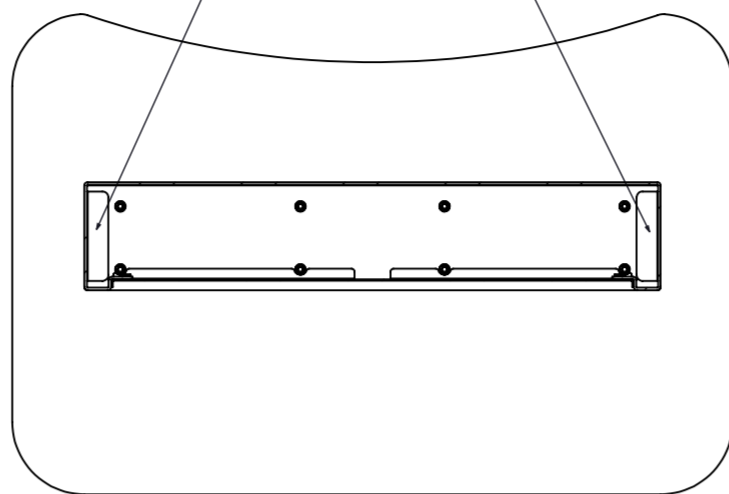


TWO 1/-1/4" HOLES
IN TOP FACE FOR
HDMI CABLE

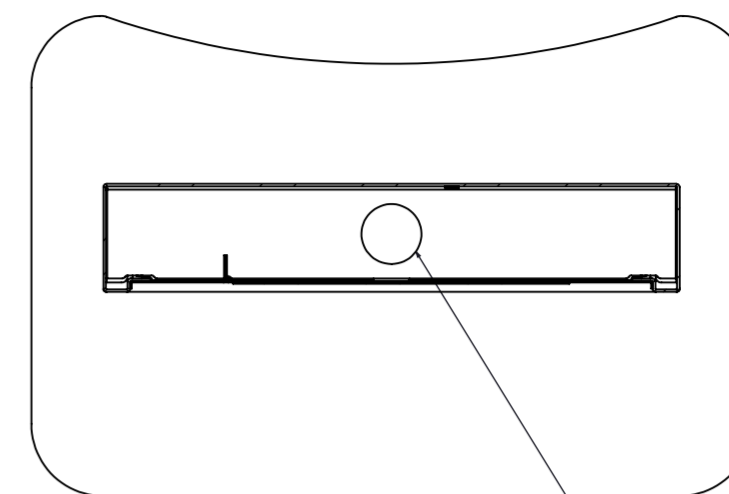


TOUCH SCREEN HIDDEN FOR CLARITY

SPOT WELD FLANGES BOTH
SIDES IN BOTTOM
ALSO ADD 1" STITCH WELD
TO THESE FLANGES



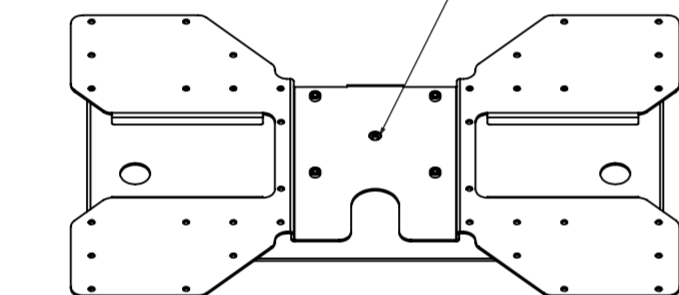
SECTION D-D



SECTION C-C

12GA SUPPORT SHELF INSIDE
HAS 2-1/2" HOLE FOR WIRING

HOLE FOR ANTENNA



10-32X.5" SS PEM STUD
FLUSH OUTSIDE
X2

24.000

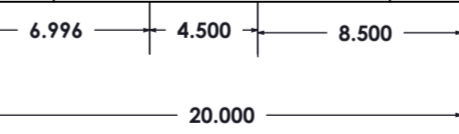
3.000

30.000

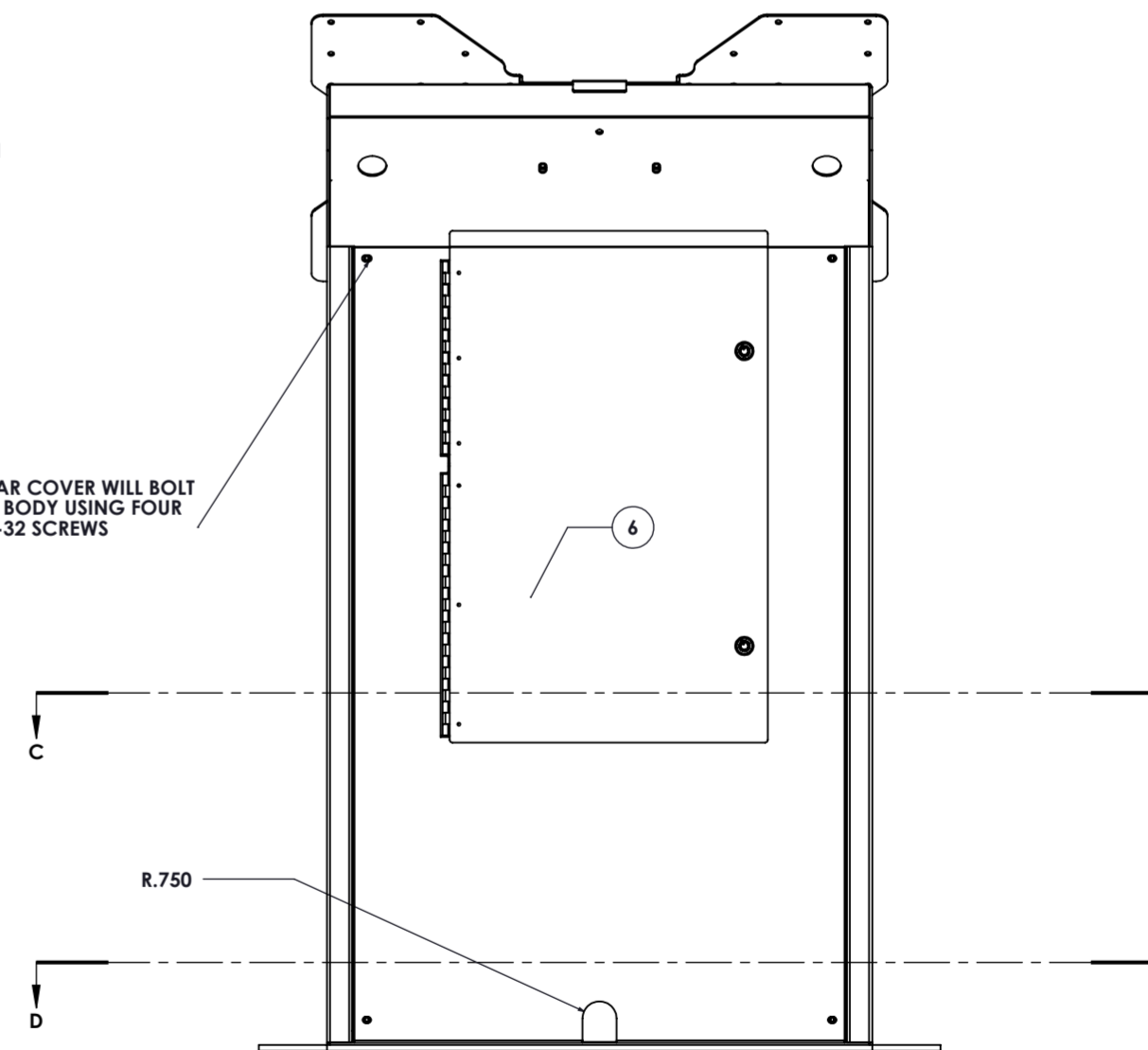
SEAL WELD AND
GRIND SMOOTH
X2

135.00°

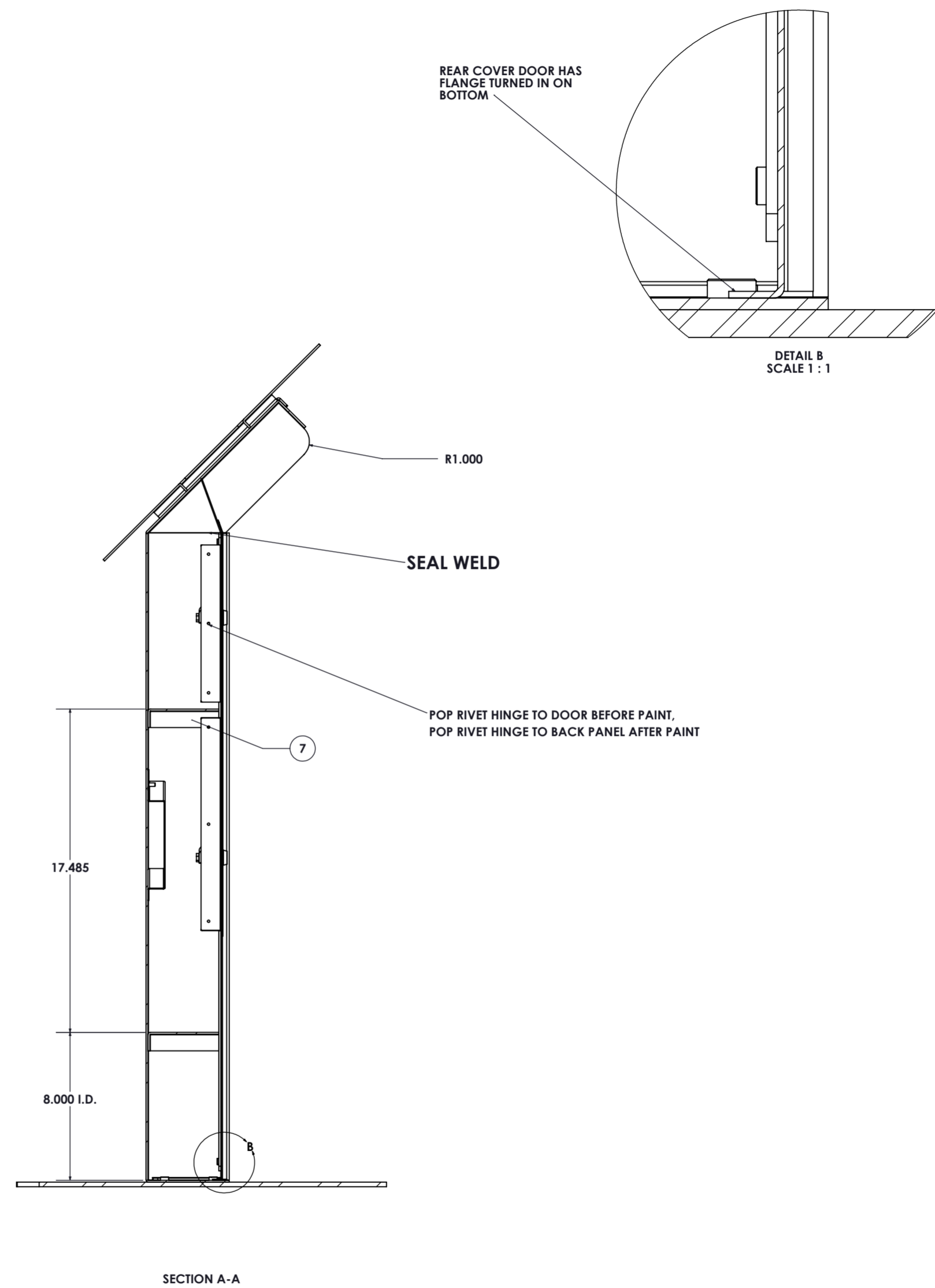
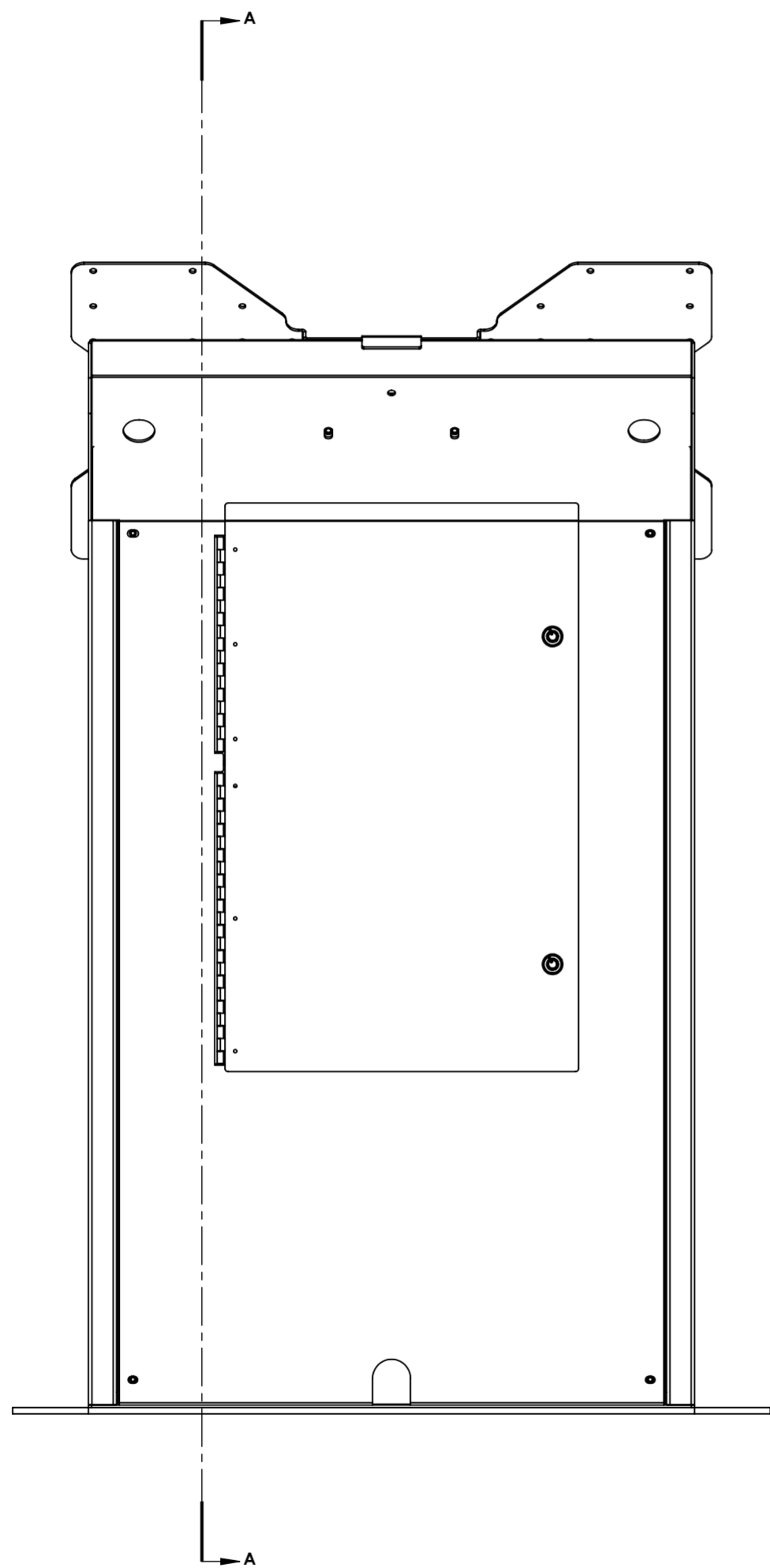
35.000



REAR COVER WILL BOLT
TO BODY USING FOUR
10-32 SCREWS



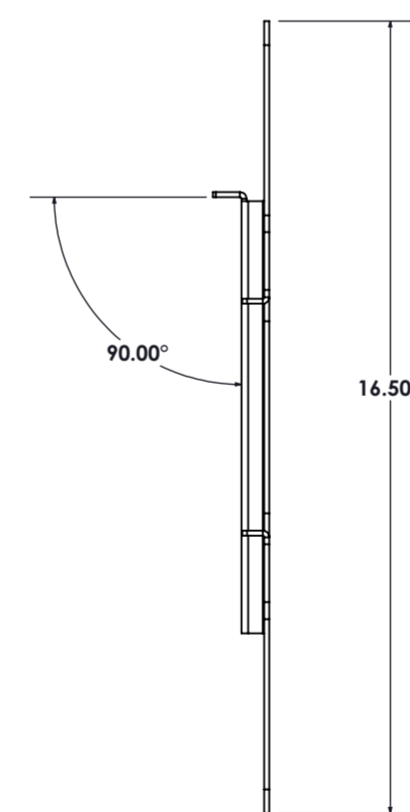
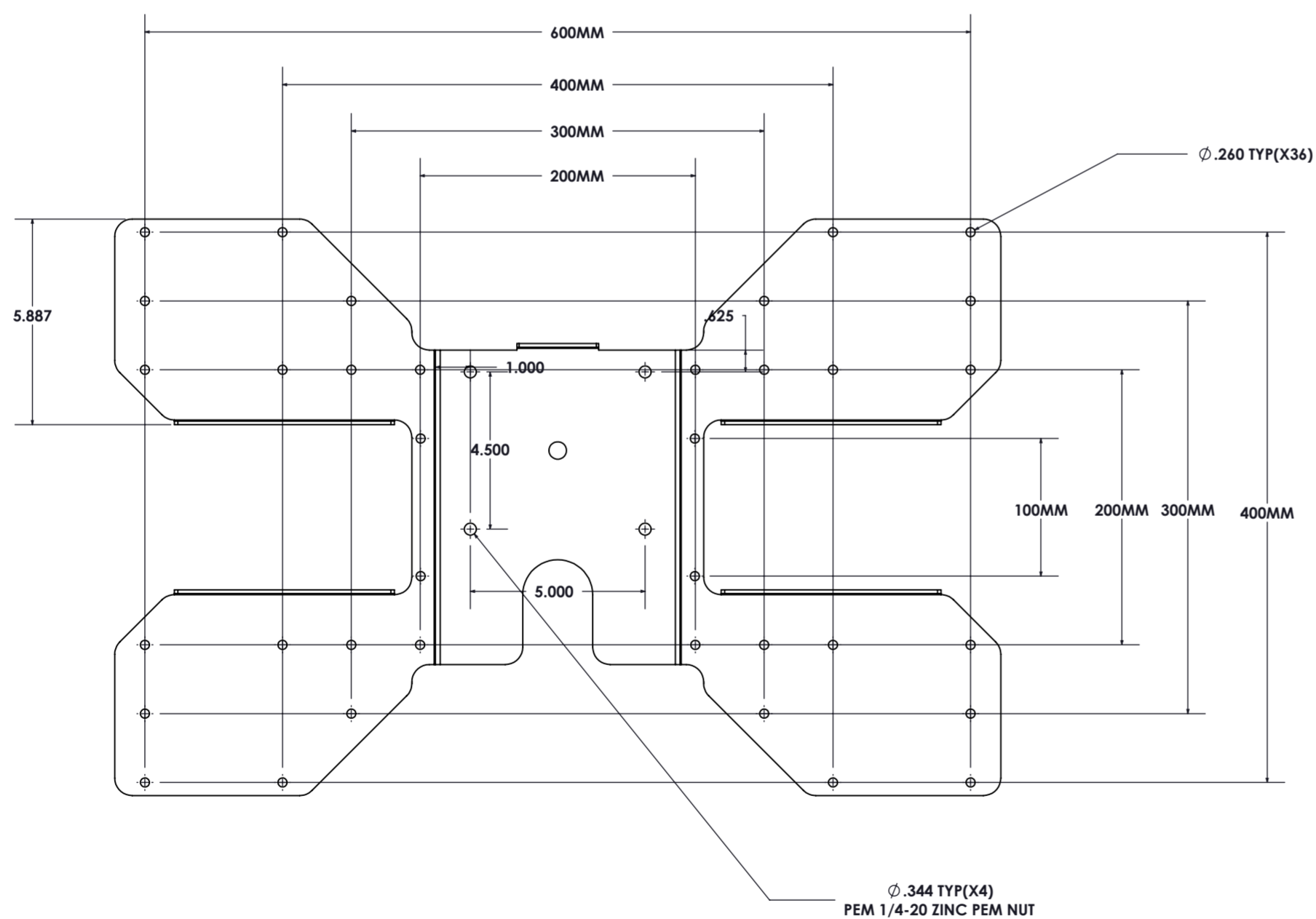
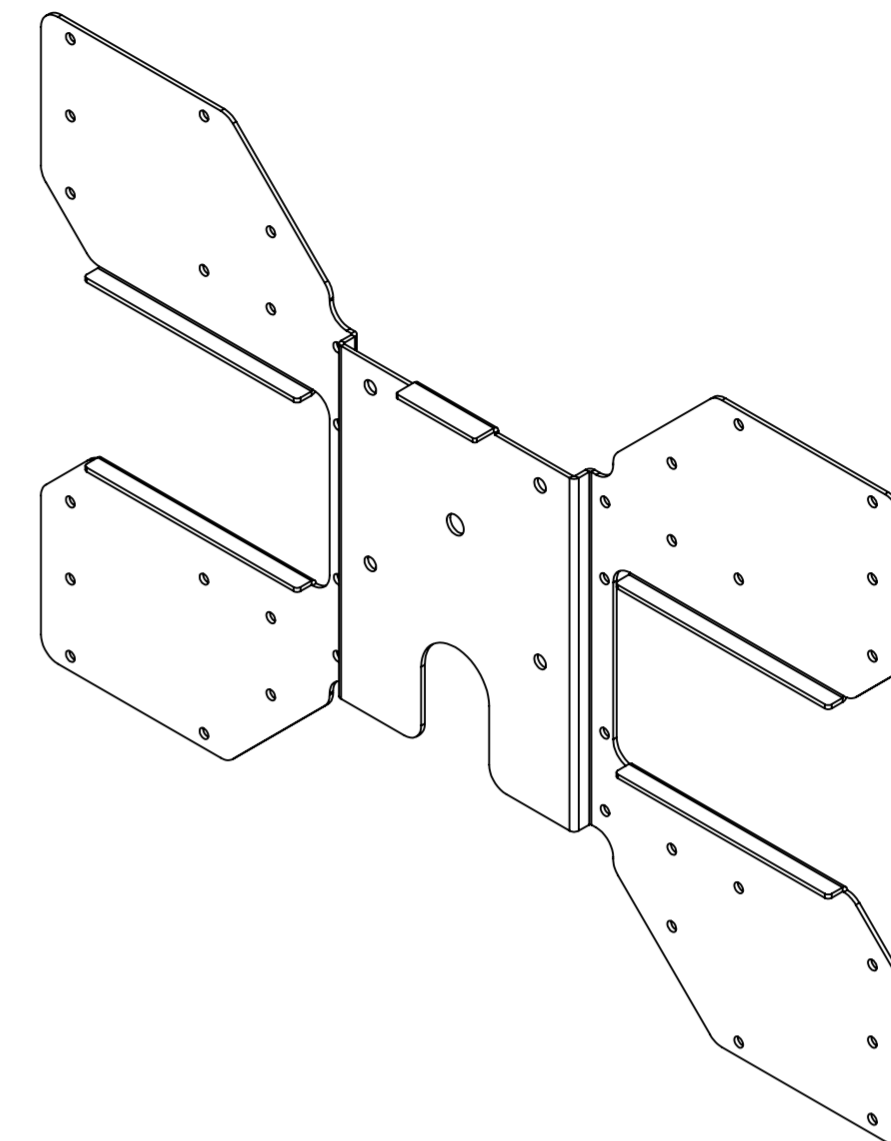
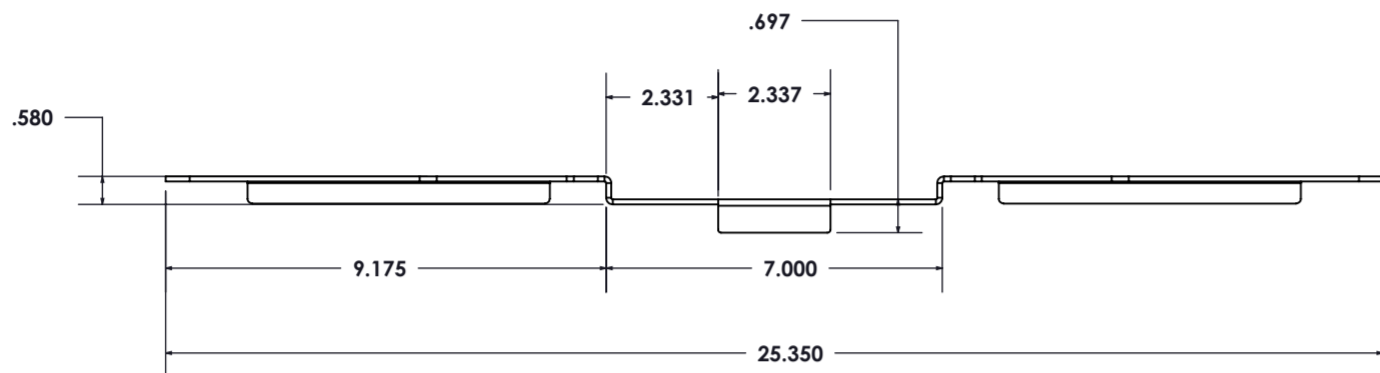
UNLESS OTHERWISE SPECIFIED: DIMENSIONS ARE IN INCHES SURFACE FINISH: TOLERANCES: LINEAR: .01 ANGULAR: .5			FINISH:	DEBUR AND BREAK SHARP EDGES	DO NOT SCALE DRAWING	REVISION
Digital Touch Systems						TITLE:
DRAWN:	NAME	SIGNATURE	DATE	MATERIAL:	DWG NO.	A2
CHK'D:					K450	
APP'VD:						
MFG:				WEIGHT:	SCALE: 1:8	SHEET 2 OF 4
Q.A.:						



UNLESS OTHERWISE SPECIFIED: DIMENSIONS ARE IN INCHES SURFACE FINISH: TOLERANCES: LINEAR: .01 ANGULAR: .5		FINISH:	DEBUR AND BREAK SHARP EDGES	DO NOT SCALE DRAWING	REVISION
				Digital Touch Systems	
DRAWN:		NAME	SIGNATURE	DATE	TITLE:
CHK'D:					
APP'VD:					
MFG:					
Q.A. <input checked="" type="checkbox"/>					
			MATERIAL:	DWG NO.	K450
			WEIGHT:	SCALE: 1:4	A2
				SHEET 3 OF 4	



ITEM NO.	PART NUMBER	DESCRIPTION	QTY.
1	K450-03	12GA CRS MONITOR TO STAND MNT	1



- NOTES:**
- MOUNTING BRACKET FITS THE FOLLOWING VESA HOLE PATTERNS
- | WIDTH | HEIGHT |
|-----------------|--------|
| • 200MM X 100MM | |
| • 200MM X 200MM | |
| • 300MM X 200MM | |
| • 300MM X 300MM | |
| • 400MM X 200MM | |
| • 400MM X 400MM | |
| • 600MM X 200MM | |
| • 600MM X 300MM | |
| • 600MM X 400MM | |

UNLESS OTHERWISE SPECIFIED: DIMENSIONS ARE IN INCHES SURFACE FINISH: TOLERANCES: LINEAR: .01 ANGULAR: .5		FINISH:	DEBUR AND BREAK SHARP EDGES	DO NOT SCALE DRAWING	REVISION
				Digital Touch Systems	
DRAWN:	NAME	SIGNATURE	DATE	TITLE:	
CHK'D:					
APP'V'D:					
MFG:					
Q.A. 1				MATERIAL: CS Gauge	DWG NO. K450
				WEIGHT:	A2
				SCALE: 1:4	SHEET 4 OF 4