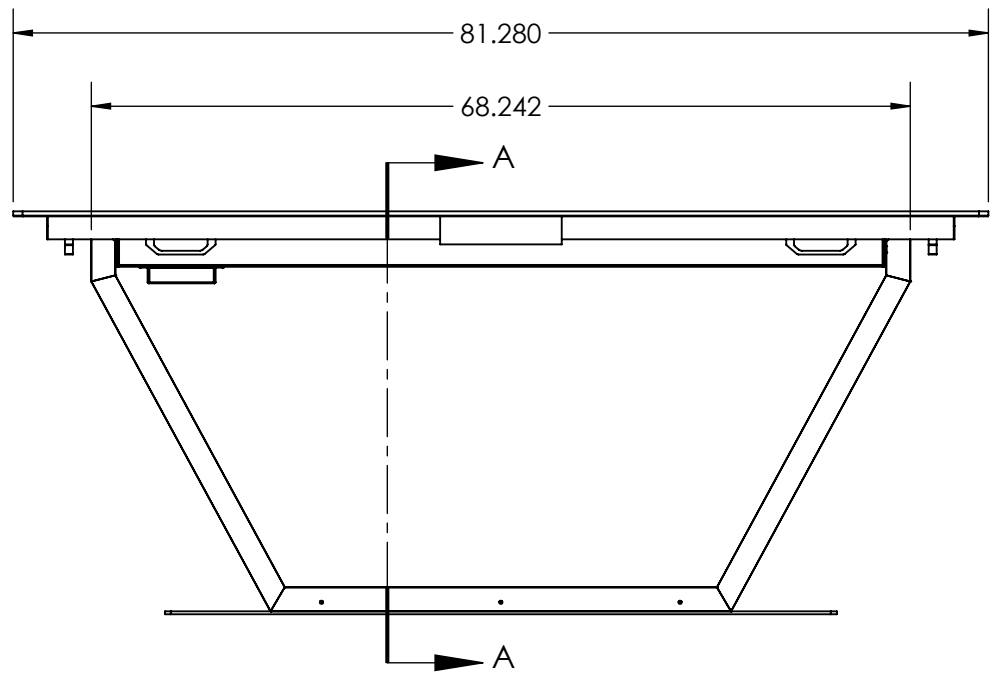


BILL OF MATERIAL			
ITEM	PART NUMBER	DESCRIPTION	QTY
1	DTS-84-LK-BASE	.25" CRS	1
2	84 PCT	84" PCAP SCREEN	1
3	DTS-84-LK-LEGS	2X6X1/8 AL RECT TUBING	1
4	DTS-84-LK-PAN	11GA CRS	1
5	FH-632-20ZI	6-32X1.25" ZINC PEM STUD	4
6	DTS-84-LK-FANCOVER	.06 CRS	1
7	20160627-141142-03547594	8-32 SS PEM NUT	4
8	AEHS8-420-184	1/4-20 HEX RIVNUT	8
9	DTS-84-LK-LEGS2	2X6X1/8 AL RECT TUBING	1

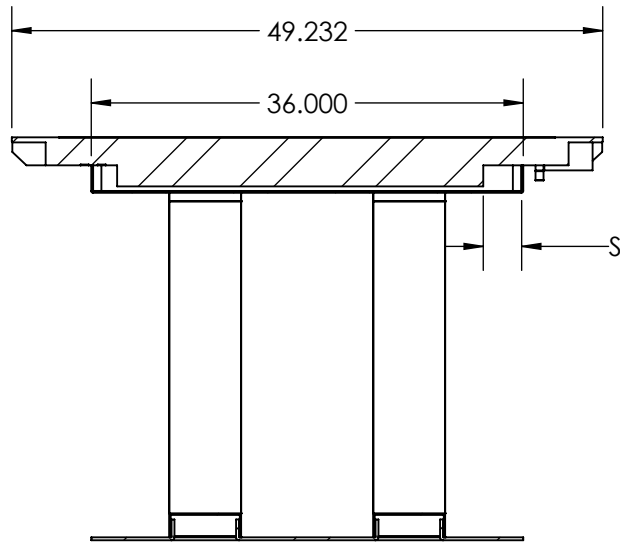
PROPRIETARY AND CONFIDENTIAL		TOLERANCE - UNLESS OTHERWISE SPECIFIED		NAME	DATE	TITLE: DigitalTouch <i>Syama</i>	
THE INFORMATION CONTAINED IN THIS DRAWING IS THE SOLE PROPERTY OF DIGITAL TOUCH SYSTEMS. ANY REPRODUCTION IN PART OR AS A WHOLE WITHOUT THE WRITTEN PERMISSION OF DIGITAL TOUCH SYSTEMS IS PROHIBITED.		FABRICATION (IN)	MACHINING (IN)	DRAWN	BCP		4/10/2017
		0" - 24" ± 1/16"	.X ± .030"	CHECKED	XX		XX/XX/XXXX
		24" - 120" ± 1/8"	.XX ± .015"	ENG APPR.			
10" - 20" ± 1/4"	.XXX ± .005"	MFG APPR.				SCALE: NONE	
20" & OVER ± 1/2"		Q.A.					LBS:
INTERPRET GEOMETRIC TOLERANCING PER: ANSI STANDARDS		**REMOVE ALL SHARP CORNERS AND BURRS**		COMMENTS:		REV 1	
MATERIAL:		FINISH:				1	
IF IN DOUBT, ASK!!!		DO NOT SCALE DRAWING				SHEET 1 OF 2	

8 7 6 5 4 3 2 1

D



D



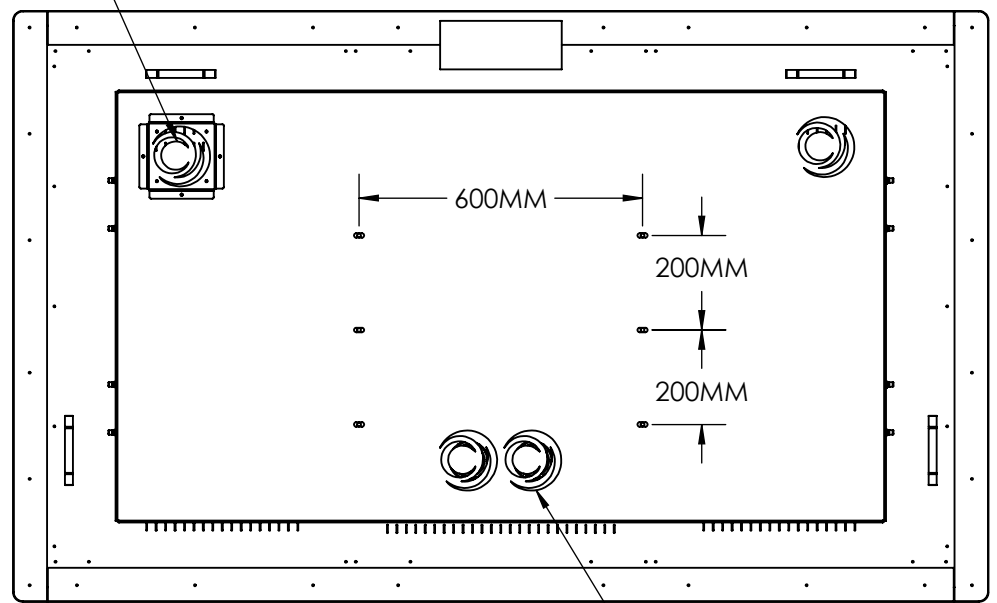
SECTION A-A

C

C

FAN MOUNT LOCATION

LEGS AND BASE HIDDEN FOR CLARITY



DTS LOGO LOCATED UNDER PCAP SCREEN FAN LOCATIONS

B

B

A

A

TITLE:		
DigitalTouch <i>Systems</i>		
SIZE	DWG. NO.	REV
B	DTS-84-LK	
SCALE: NONE	LBS:	SHEET 2 OF 2

8 7 6 5 4 3 2 1