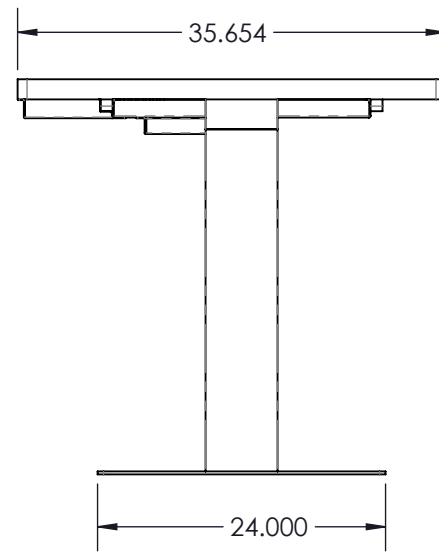
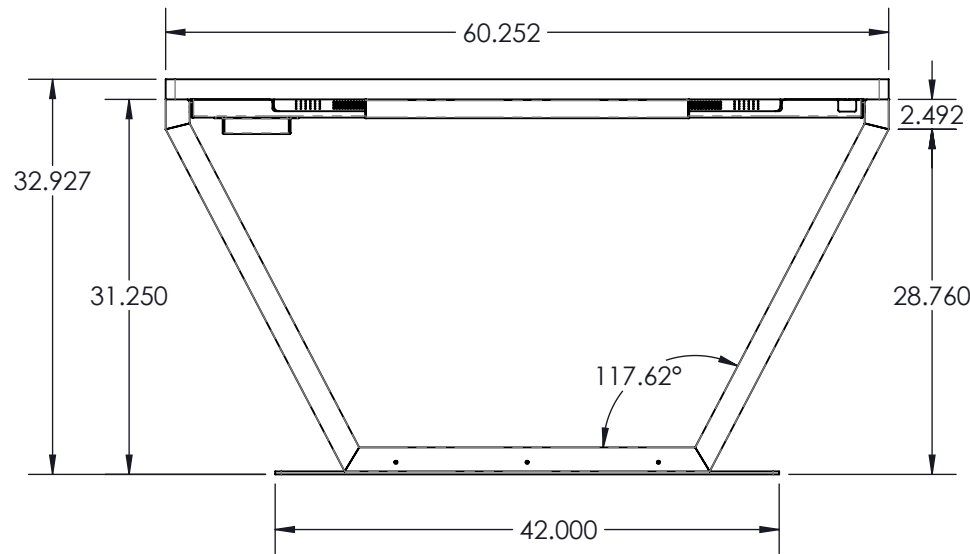
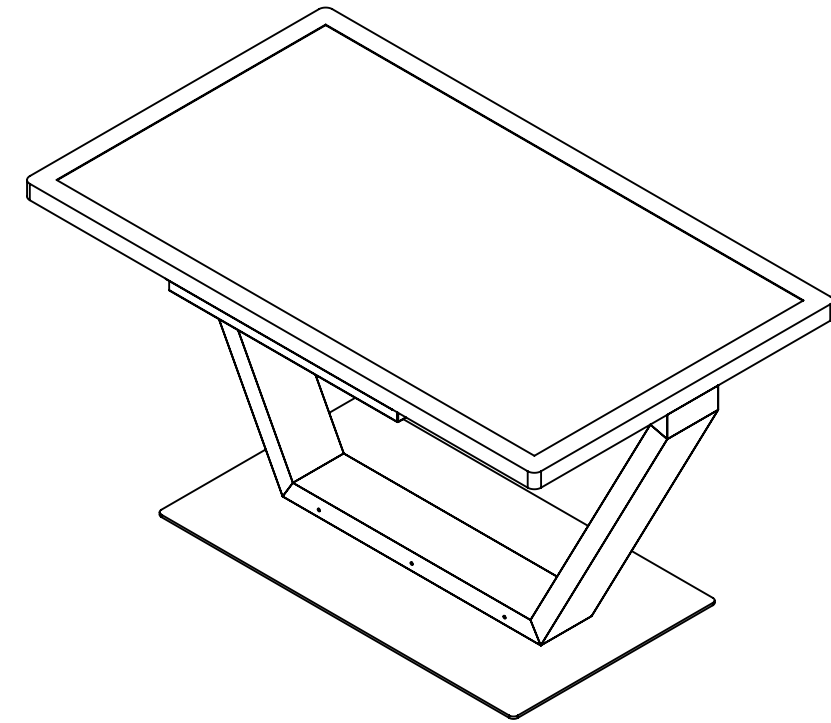
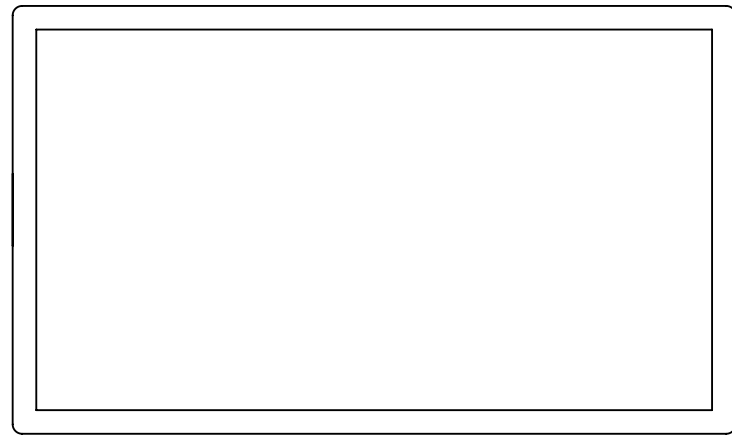

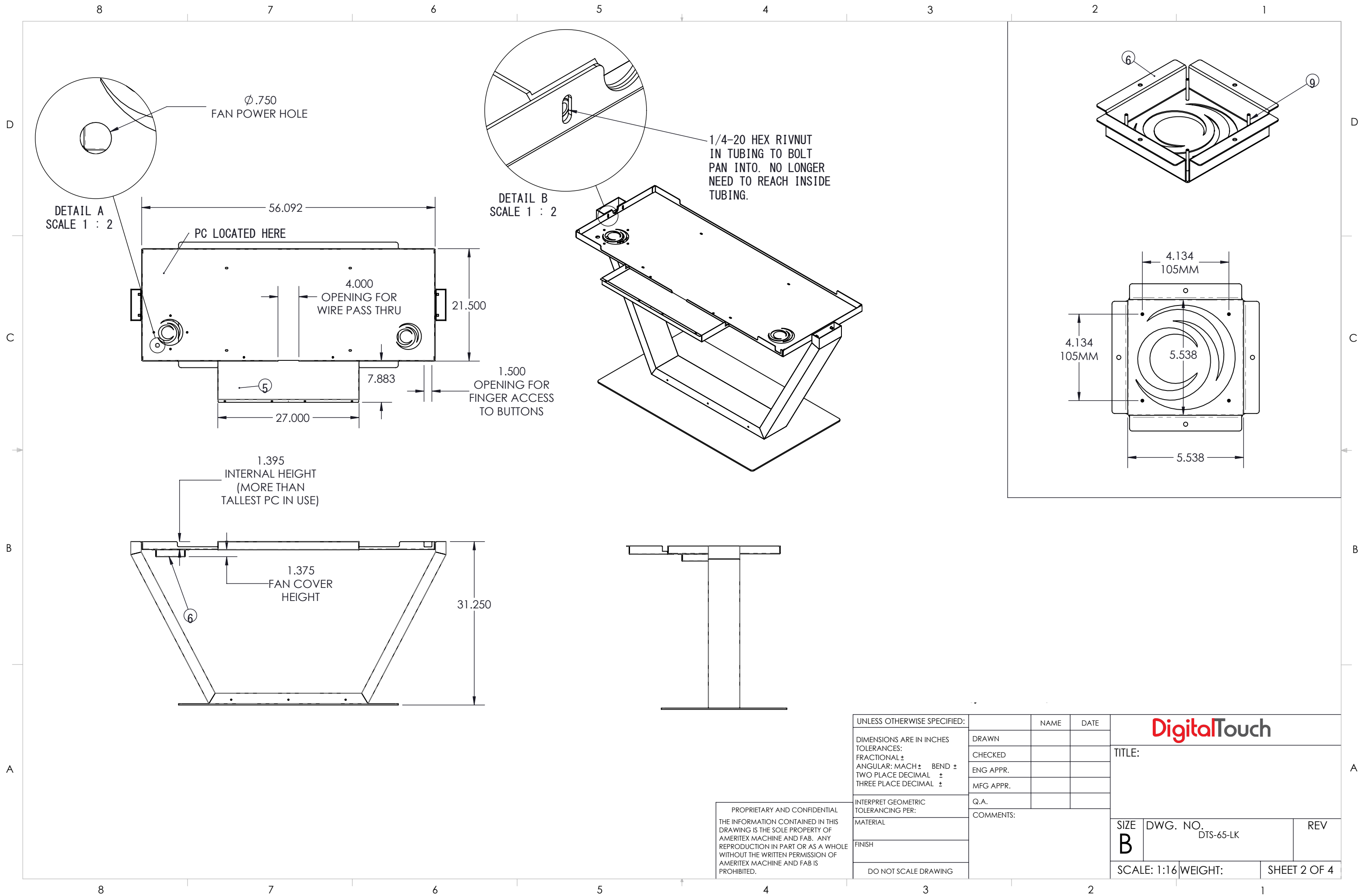


ITEM NO.	PART NUMBER	DESCRIPTION	QTY.
1	65 PCT	REFERENCE PCAP SCREEN	1
2	20160627-141142-03547594	10-32 SS PEM NUT	6
3	AEHS8-420-165	1/4-20 HEX RIVNUT	4
4	DTS-65-LK-BASE	.25" CRS	1
5	DTS-65-LK-COVER	.06 CRS	1
6	DTS-65-LK-FANCOVER	.06 CRS	1
7	DTS-65-LK-LEGS	2X6X1/8 AL RECT TUBING	1
8	DTS-65-LK-PAN	12GA CRS	1
9	FH-632-20ZI	6-32X1.25" ZINC PEM STUD	4

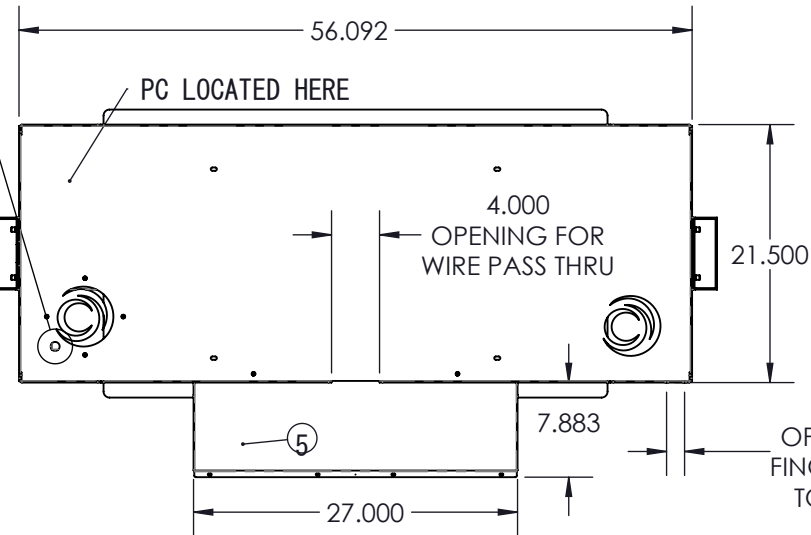


UNLESS OTHERWISE SPECIFIED: DIMENSIONS ARE IN INCHES TOLERANCES: FRACTIONAL ± ANGULAR: MACH ± BEND ± TWO PLACE DECIMAL ± THREE PLACE DECIMAL ±	DRAWN	BCP	7/31/2017	 TITLE:
	CHECKED	XXX	XX-XX-XX	
	ENG APPR.	XXX	XX-XX-XX	
	MFG APPR.			
INTERPRET GEOMETRIC TOLERANCING PER:	Q.A.			SIZE DWG. NO. REV B DTS-65-LK 1
MATERIAL	COMMENTS:		SCALE: 1:16 LBS: SHEET 1 OF 4	
FINISH				
DO NOT SCALE DRAWING				



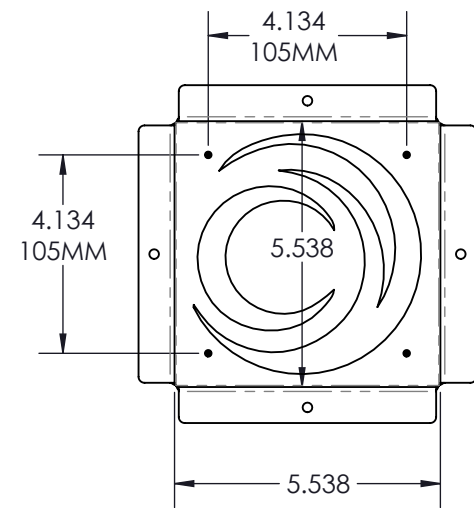
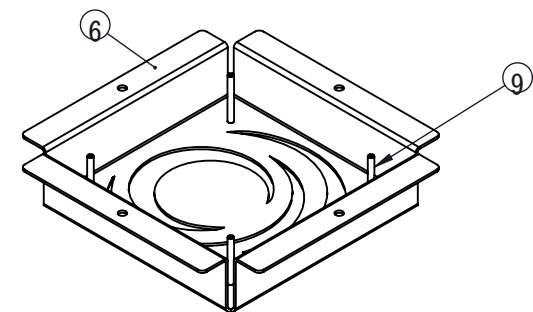
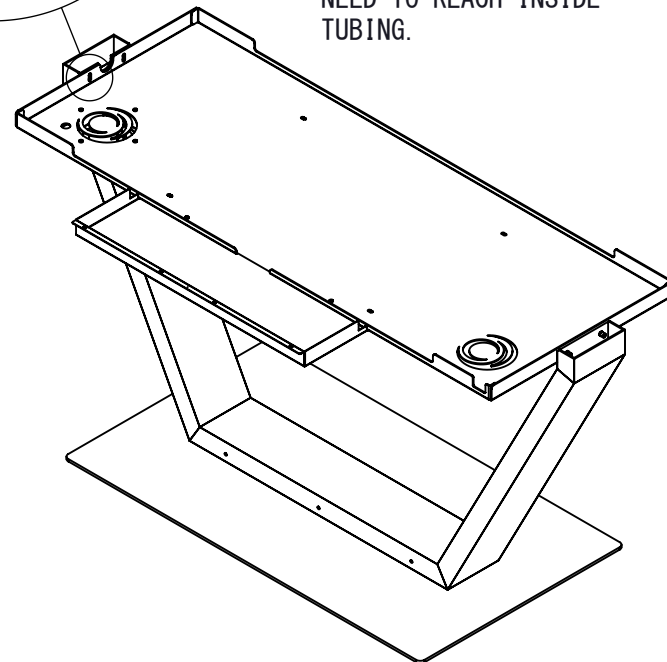
Ø.750
FAN POWER HOLE

DETAIL A
SCALE 1 : 2

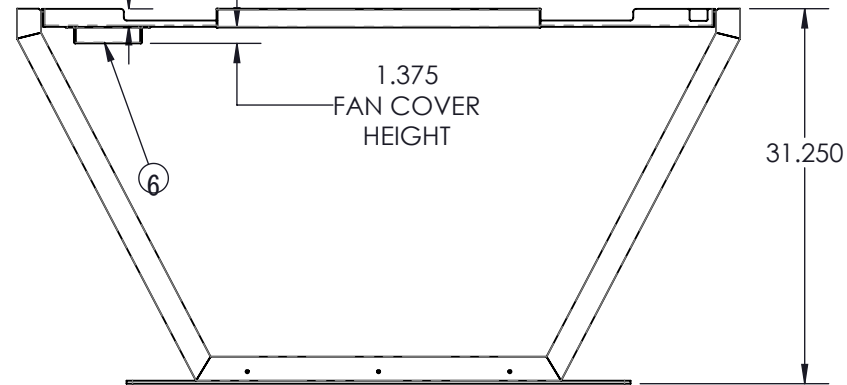


DETAIL B
SCALE 1 : 2

1/4-20 HEX RIVNUT
IN TUBING TO BOLT
PAN INTO. NO LONGER
NEED TO REACH INSIDE
TUBING.



1.395
INTERNAL HEIGHT
(MORE THAN
TALLEST PC IN USE)



PROPRIETARY AND CONFIDENTIAL
THE INFORMATION CONTAINED IN THIS
DRAWING IS THE SOLE PROPERTY OF
AMERITEX MACHINE AND FAB. ANY
REPRODUCTION IN PART OR AS A WHOLE
WITHOUT THE WRITTEN PERMISSION OF
AMERITEX MACHINE AND FAB IS
PROHIBITED.

UNLESS OTHERWISE SPECIFIED:

DIMENSIONS ARE IN INCHES
TOLERANCES:
FRACTIONAL ±
ANGULAR: MACH ± BEND ±
TWO PLACE DECIMAL ±
THREE PLACE DECIMAL ±

INTERPRET GEOMETRIC
TOLERANCING PER:

MATERIAL

FINISH

DO NOT SCALE DRAWING

NAME

DATE

DRAWN

CHECKED

ENG APPR.

MFG APPR.

Q.A.

COMMENTS:

DigitalTouch

TITLE:

SIZE

B

DWG. NO.

DTS-65-LK

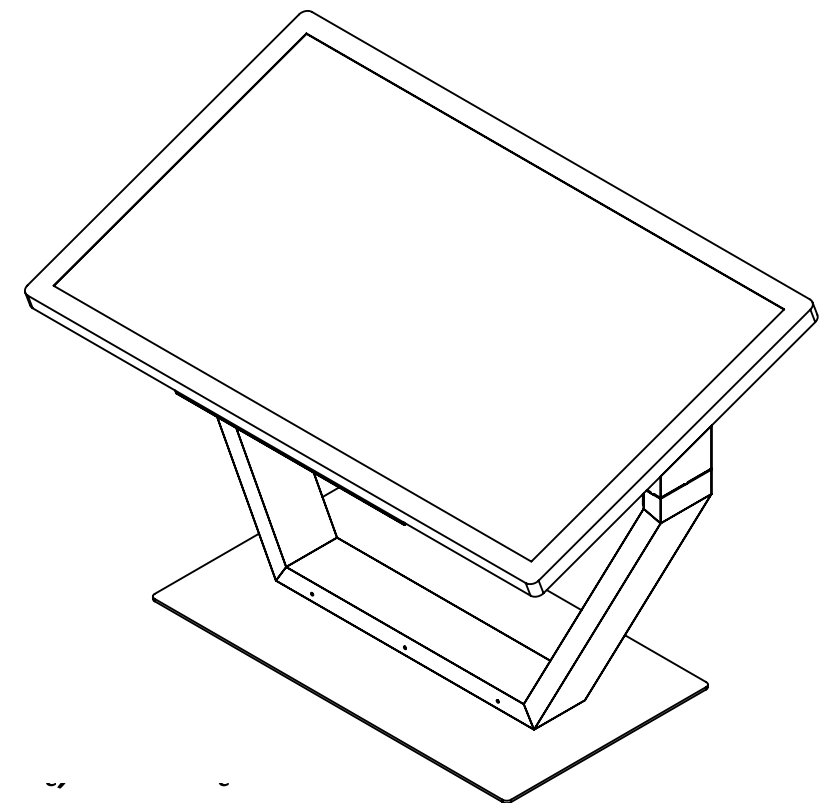
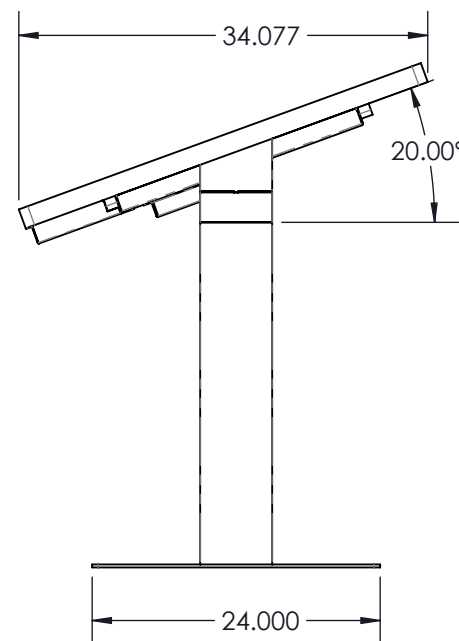
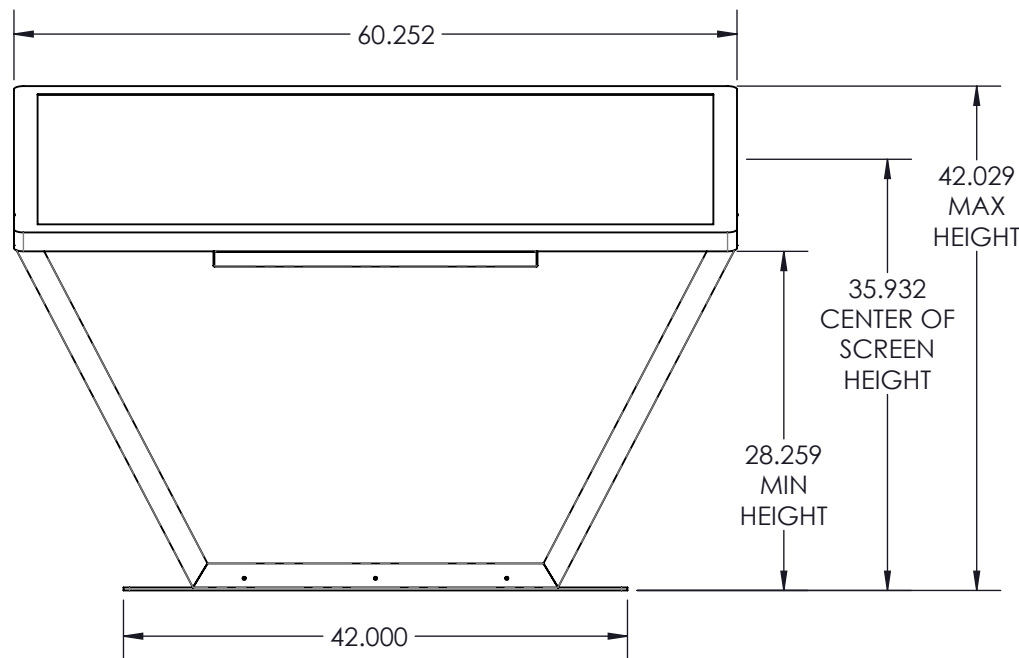
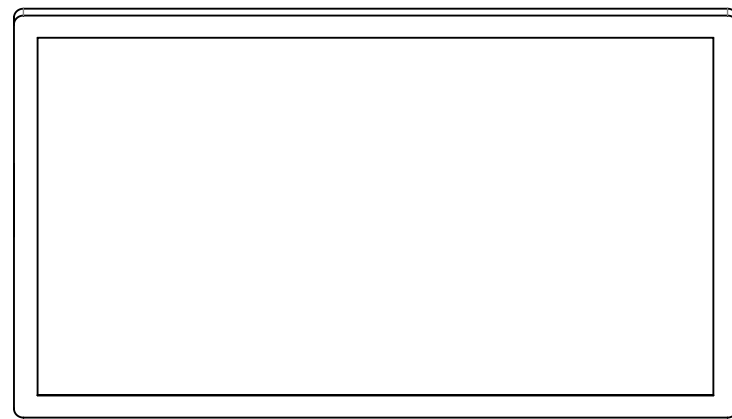
REV

SCALE: 1:16

WEIGHT:

SHEET 2 OF 4

ITEM NO.	PART NUMBER	DESCRIPTION	QTY.
1	65 PCT	REFERENCE PCAP SCREEN	1
2	20160627-141142-03547594	10-32 SS PEM NUT	6
3	AEHS8-420-165	1/4-20 HEX RIVNUT	8
4	DTS-65-LK-BASE	.25" CRS	1
5	DTS-65-LK-COVER	.06 CRS	1
6	DTS-65-LK-FANCOVER	.06 CRS	1
7	DTS-65-LK-LEGS	2X6X1/8 AL RECT TUBING	1
8	DTS-65-LK-PAN	12GA CRS	1
9	DTS-65-LK-SLANT-1	1/8" AL	1
10	DTS-65-LK-SLANT-2	2X6X1/8 AL RECT TUBING	1
11	DTS-65-LK-SLANT-3	2X6X1/8 AL RECT TUBING	1
12	DTS-65-LK-SLANT-4	1/8" AL	1
13	FH-632-20ZI	6-32X1.25" ZINC PEM STUD	4

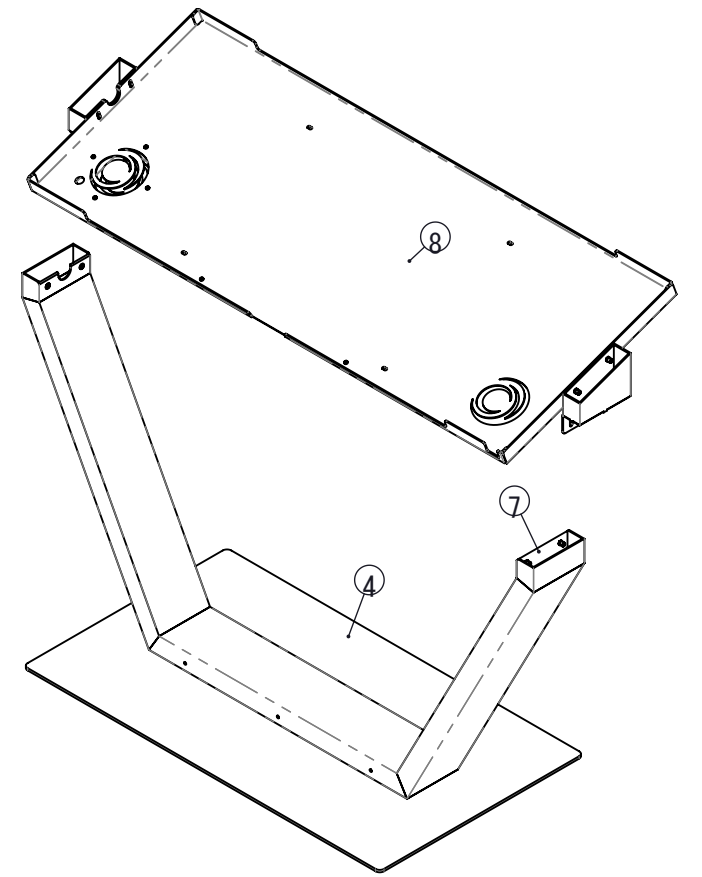
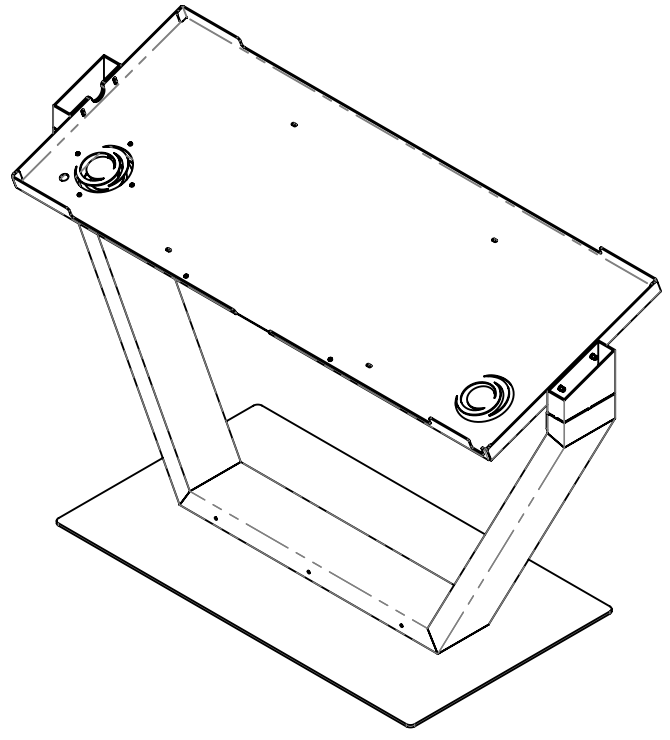
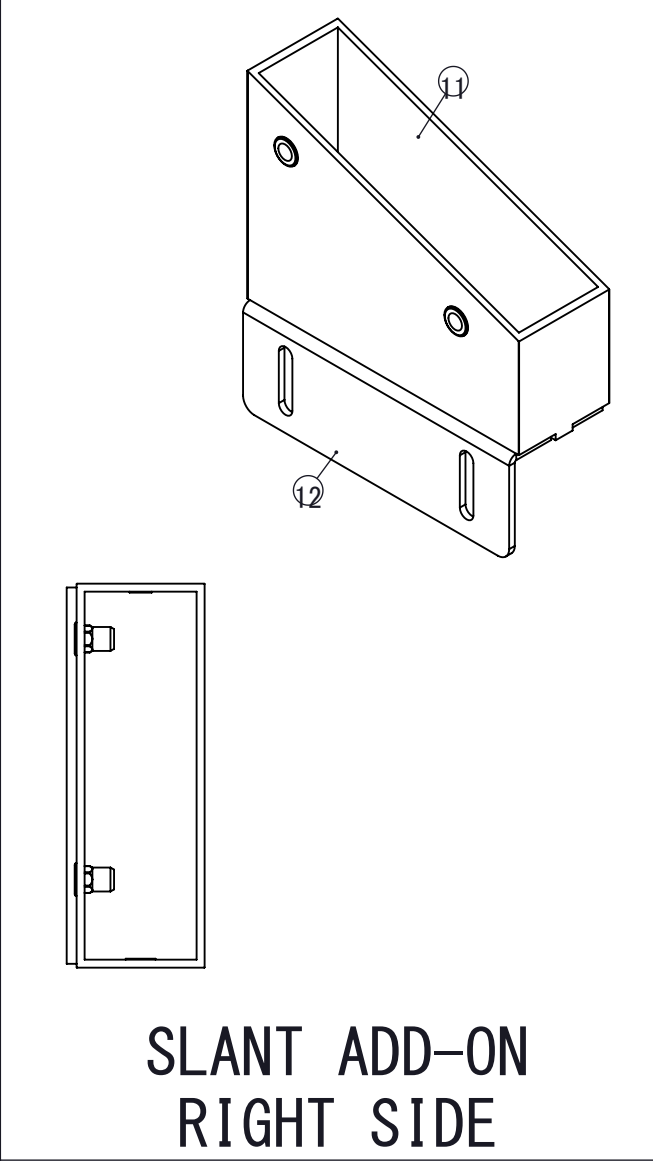
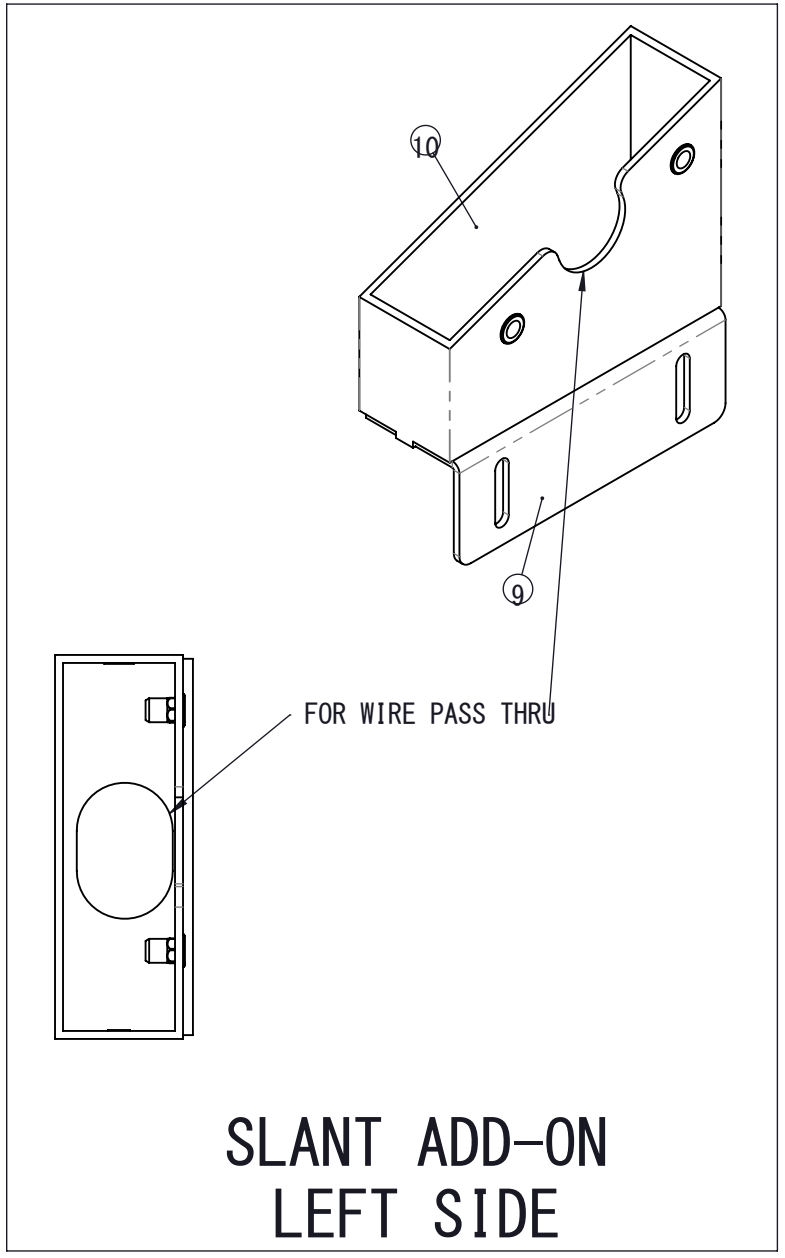


UNLESS OTHERWISE SPECIFIED:		NAME	DATE	DigitalTouch
DIMENSIONS ARE IN INCHES TOLERANCES: FRACTIONAL ± ANGULAR: MACH ± BEND ± TWO PLACE DECIMAL ± THREE PLACE DECIMAL ±		DRAWN		
INTERPRET GEOMETRIC TOLERANCING PER:		CHECKED		SIZE B DWG. NO. DTS-65-LK REV
MATERIAL		ENG APPR.		
FINISH		MFG APPR.		
DO NOT SCALE DRAWING		Q.A.		
		COMMENTS:		

8 7 6 5 4 3 2 1

D
C
B
A

D
C
B
A



UNLESS OTHERWISE SPECIFIED:		NAME	DATE	DigitalTouch
DIMENSIONS ARE IN INCHES		DRAWN		
TOLERANCES:		CHECKED		TITLE:
FRACTIONAL ±		ENG APPR.		
ANGULAR: MACH ± BEND ±		MFG APPR.		
TWO PLACE DECIMAL ±		Q.A.		
THREE PLACE DECIMAL ±		COMMENTS:		
INTERPRET GEOMETRIC TOLERANCING PER:	MATERIAL			SIZE
FINISH				B
DO NOT SCALE DRAWING				DWG. NO. DTS-65-LK
				REV
				SCALE: 1:16
				WEIGHT:
				SHEET 4 OF 4

8 7 6 5 4 3 2 1