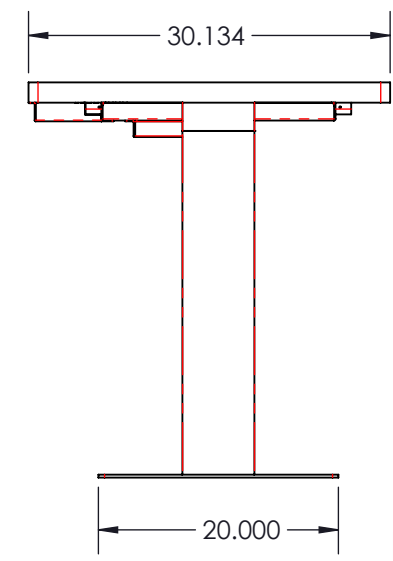
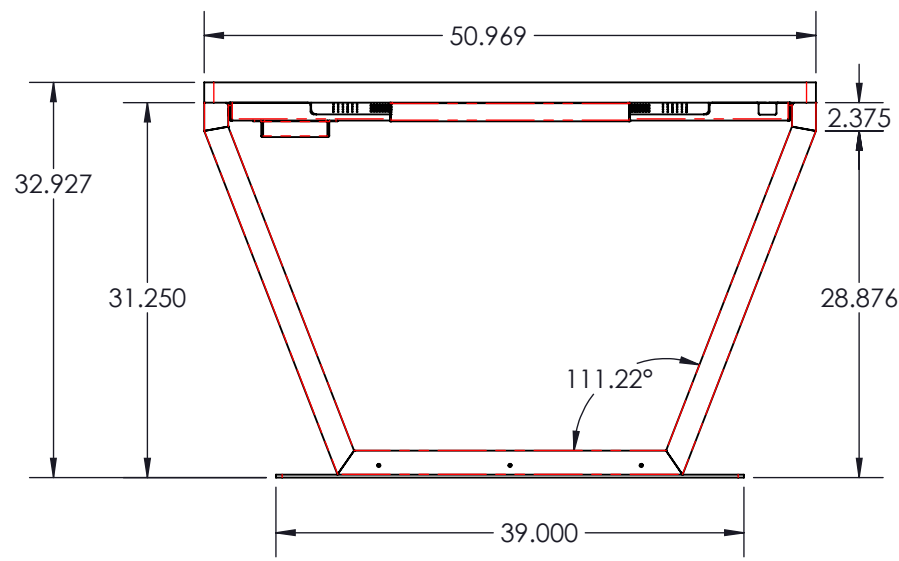
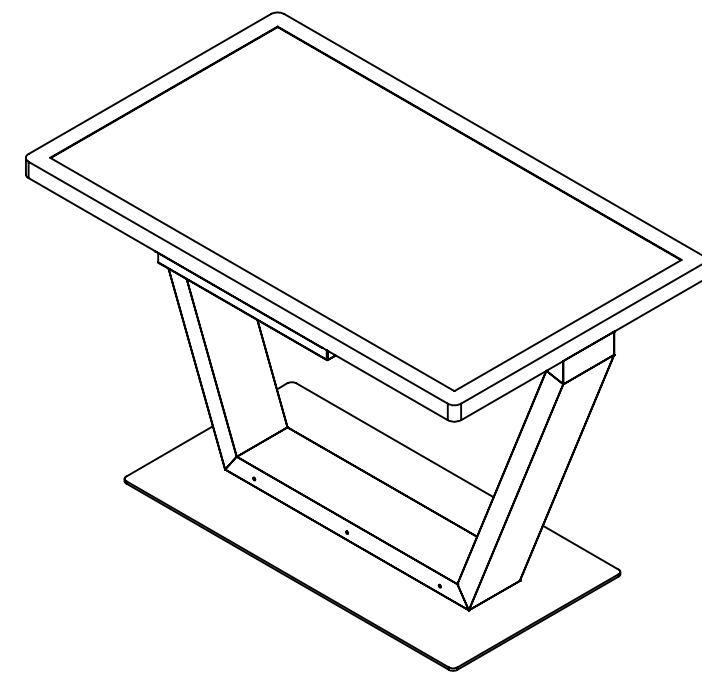
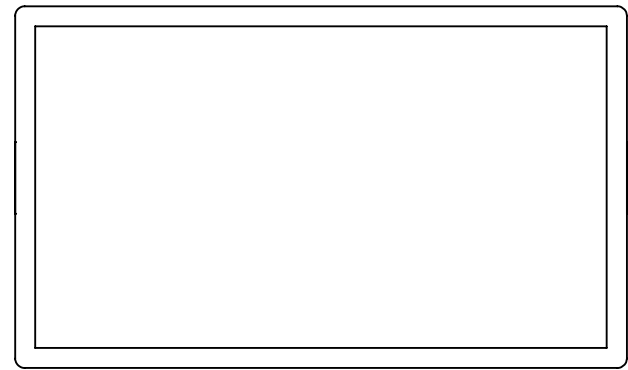


8 7 6 5 4 3 2 1

ITEM NO.	PART NUMBER	DESCRIPTION	QTY.
1	55 PCT	SCREEN FOR REFERENCE	1
2	20160627-141142-03547594	8-32 SS PEM NUT	6
3	AEHS8-420-165	1/4-20 HEX RIVNUT	4
4	DTS-55-LK-BASE	.25" CRS	1
5	DTS-55-LK-COVER	.06 CRS	1
6	DTS-55-LK-FANCOVER	.06 CRS	1
7	DTS-55-LK-LEGS	2X6X1/8 AL RECT TUBING	1
8	DTS-55-LK-PAN	12GA CRS	1
9	FH-632-20Z1	6-32X1.25" ZINC PEM STUD	4

D  
C  
B  
A



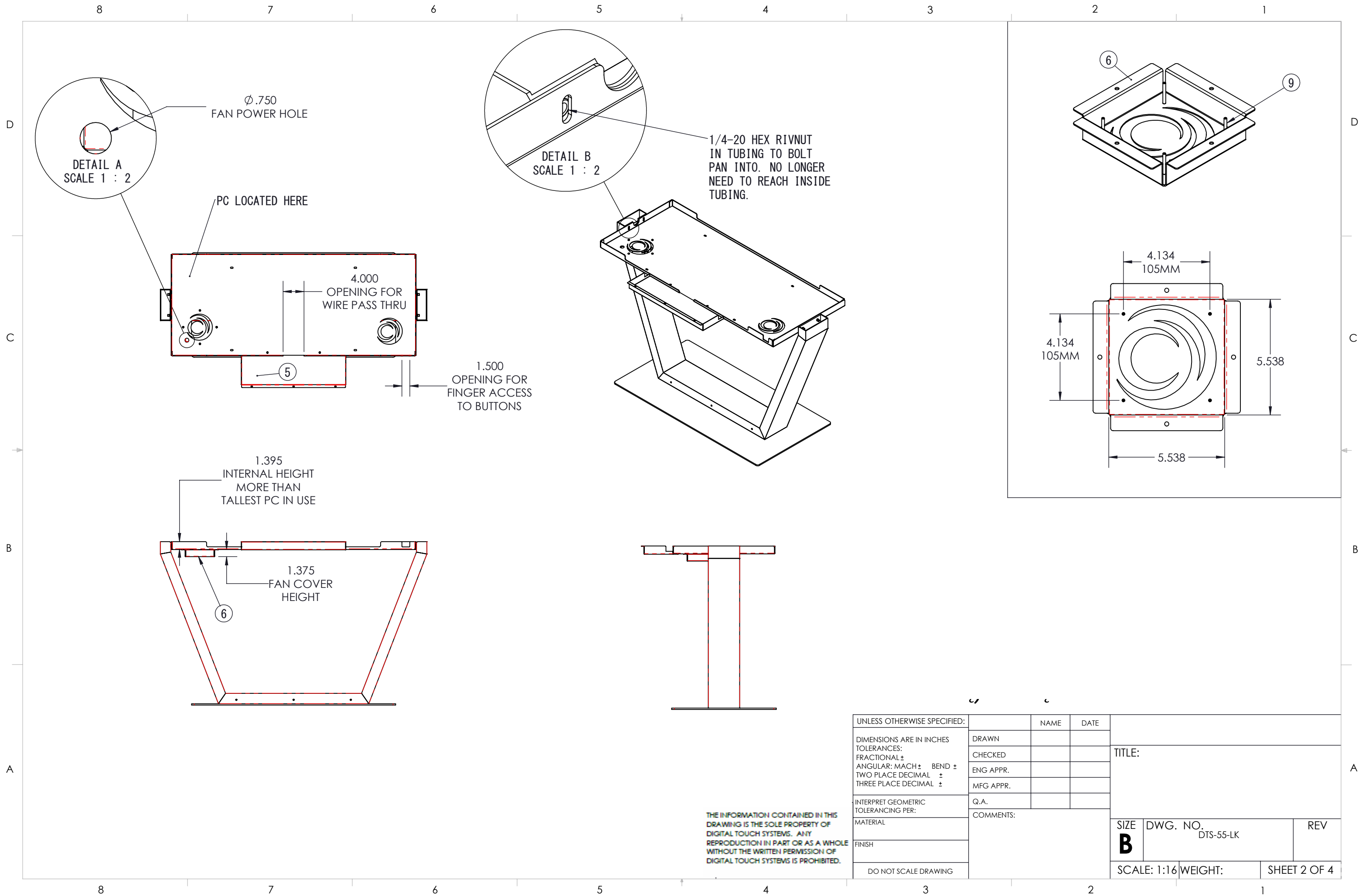
THE INFORMATION CONTAINED IN THIS DRAWING IS THE SOLE PROPERTY OF DIGITAL TOUCH SYSTEMS. ANY REPRODUCTION IN PART OR AS A WHOLE WITHOUT THE WRITTEN PERMISSION OF DIGITAL TOUCH SYSTEMS IS PROHIBITED.

UNLESS OTHERWISE SPECIFIED:	NAME	DATE
DIMENSIONS ARE IN INCHES	DRAWN	BCP 1/23/2017
TOLERANCES:	CHECKED	XXX XX-XX-XX
FRACTIONAL ±	ENG APPR.	XXX XX-XX-XX
ANGULAR: MACH ± BEND ±	MFG APPR.	
TWO PLACE DECIMAL ±	Q.A.	
THREE PLACE DECIMAL ±	COMMENTS:	
INTERPRET GEOMETRIC TOLERANCING PER:		
MATERIAL		
FINISH		
DO NOT SCALE DRAWING		



TITLE:	DWG. NO.	REV
	DTS-55-LK	1
SIZE	SCALE: 1:16 LBS:	SHEET 1 OF 4
<b>B</b>		

8 7 6 5 4 3 2 1



UNLESS OTHERWISE SPECIFIED:		NAME	DATE
DIMENSIONS ARE IN INCHES	DRAWN		
TOLERANCES:	CHECKED		
FRACTIONAL $\pm$	ENG APPR.		
ANGULAR: MACH $\pm$ BEND $\pm$	MFG APPR.		
TWO PLACE DECIMAL $\pm$	Q.A.		
THREE PLACE DECIMAL $\pm$	COMMENTS:		
INTERPRET GEOMETRIC TOLERANCING PER:			
MATERIAL			
FINISH			
DO NOT SCALE DRAWING			

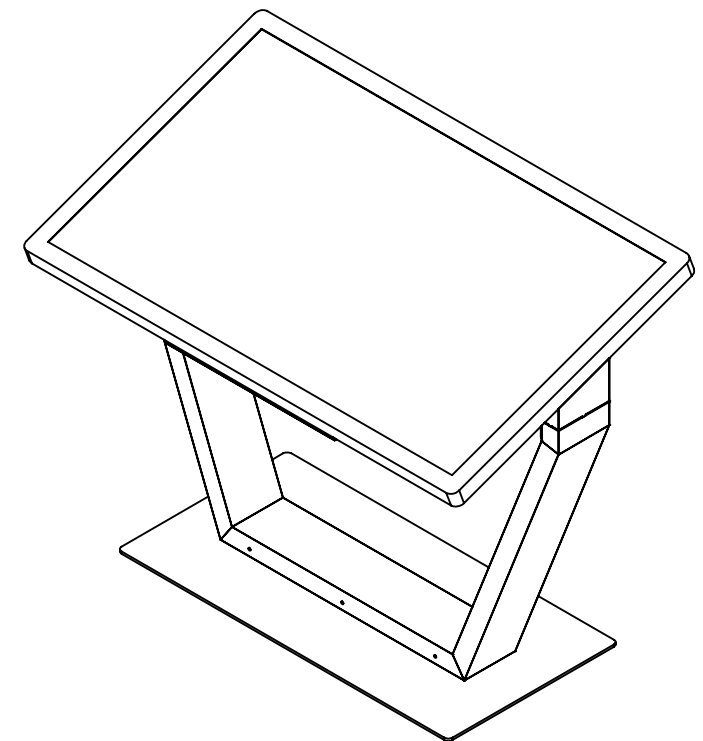
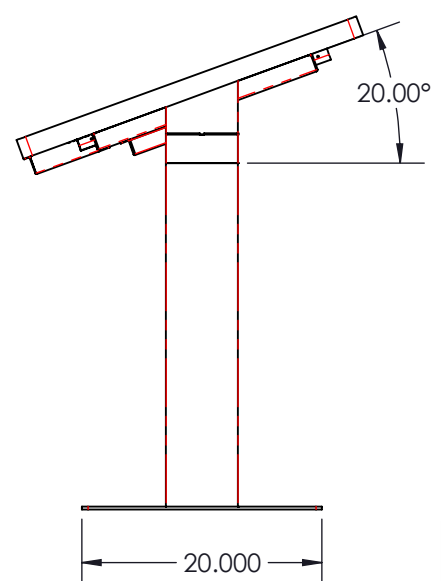
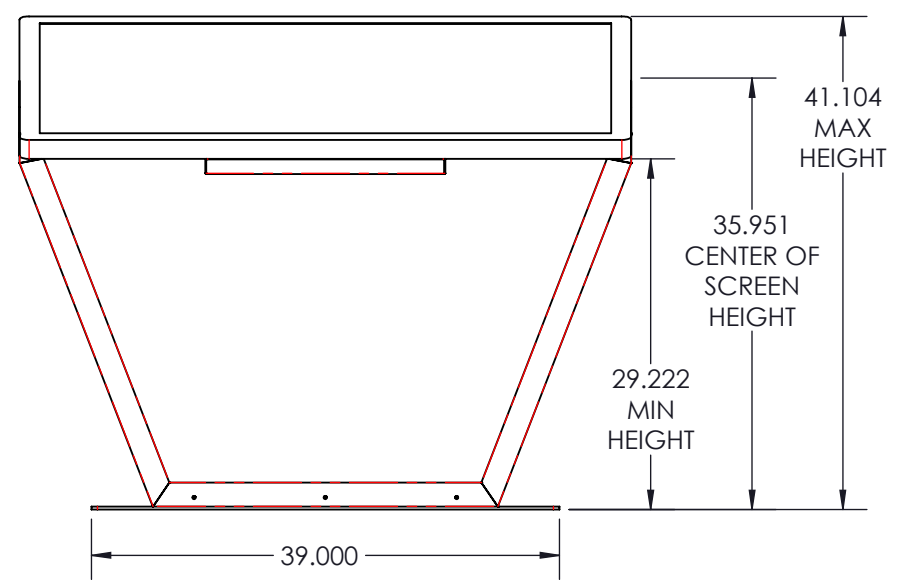
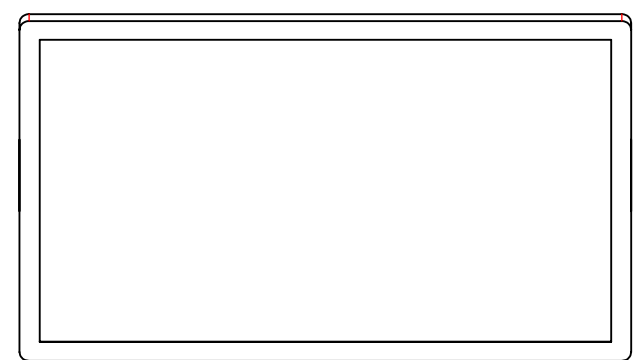
TITLE:		
SIZE <b>B</b>	DWG. NO. DTS-55-LK	REV
SCALE: 1:16	WEIGHT:	SHEET 2 OF 4

THE INFORMATION CONTAINED IN THIS DRAWING IS THE SOLE PROPERTY OF DIGITAL TOUCH SYSTEMS. ANY REPRODUCTION IN PART OR AS A WHOLE WITHOUT THE WRITTEN PERMISSION OF DIGITAL TOUCH SYSTEMS IS PROHIBITED.

8 7 6 5 4 3 2 1

ITEM NO.	PART NUMBER	DESCRIPTION	QTY.
1	55 PCT	SCREEN FOR REFERENCE	1
2	20160627-141142-03547594	8-32 SS PEM NUT	6
3	AEHS8-420-165	1/4-20 HEX RIVNUT	8
4	DTS-55-LK-BASE	.25" CRS	1
5	DTS-55-LK-COVER	.06 CRS	1
6	DTS-55-LK-FANCOVER	.06 CRS	1
7	DTS-55-LK-LEGS	2X6X1/8 AL RECT TUBING	1
8	DTS-55-LK-PAN	12GA CRS	1
9	DTS-55-LK-SLANT-1	1/8" AL	1
10	DTS-55-LK-SLANT-2	2X6X1/8 AL RECT TUBING	1
11	DTS-55-LK-SLANT-3	2X6X1/8 AL RECT TUBING	1
12	DTS-55-LK-SLANT-4	1/8" AL	1
13	FH-632-20ZI	6-32X1.25" ZINC PEM STUD	4

D  
C  
B  
A



THE INFORMATION CONTAINED IN THIS DRAWING IS THE SOLE PROPERTY OF DIGITAL TOUCH SYSTEMS. ANY REPRODUCTION IN PART OR AS A WHOLE WITHOUT THE WRITTEN PERMISSION OF DIGITAL TOUCH SYSTEMS IS PROHIBITED.

UNLESS OTHERWISE SPECIFIED:  
 DIMENSIONS ARE IN INCHES  
 TOLERANCES:  
 FRACTIONAL ±  
 ANGULAR: MACH ± BEND ±  
 TWO PLACE DECIMAL ±  
 THREE PLACE DECIMAL ±  
 INTERPRET GEOMETRIC TOLERANCING PER:  
 MATERIAL  
 FINISH  
 DO NOT SCALE DRAWING

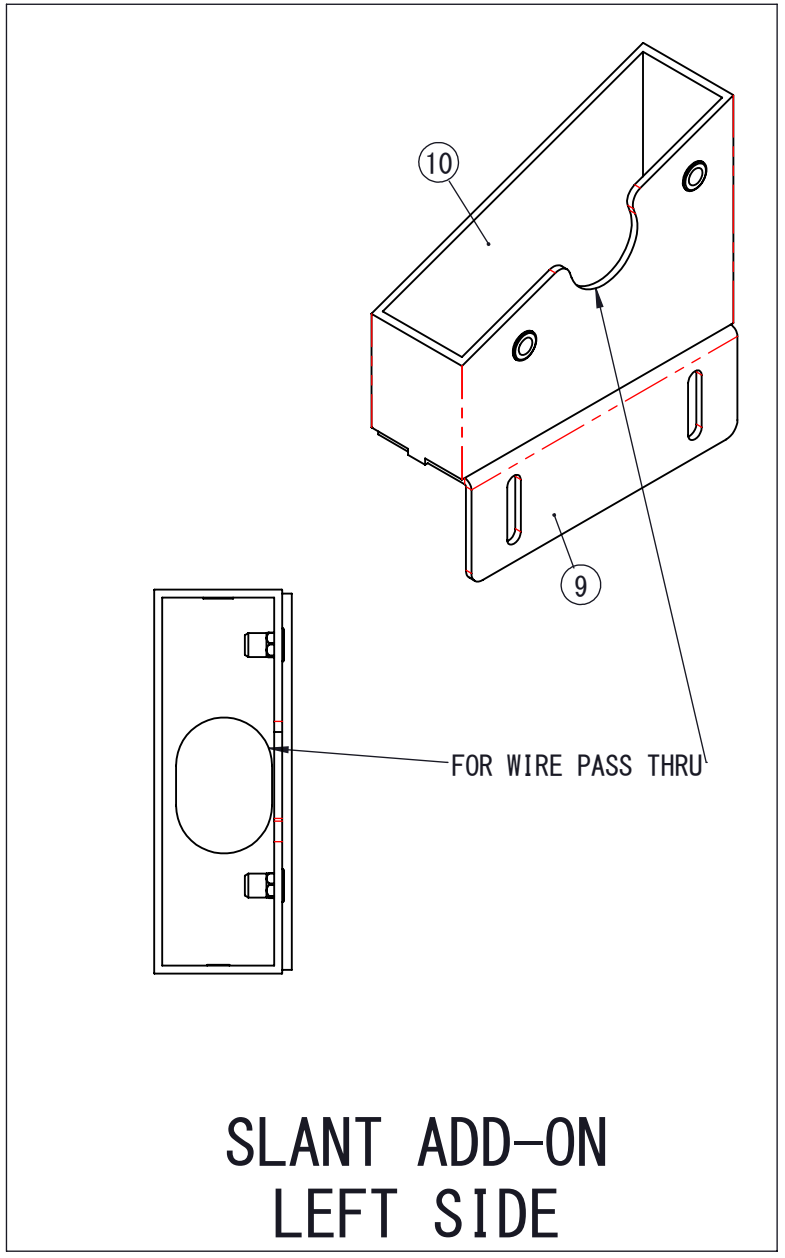
	NAME	DATE
DRAWN		
CHECKED		
ENG APPR.		
MFG APPR.		
Q.A.		
COMMENTS:		

TITLE:

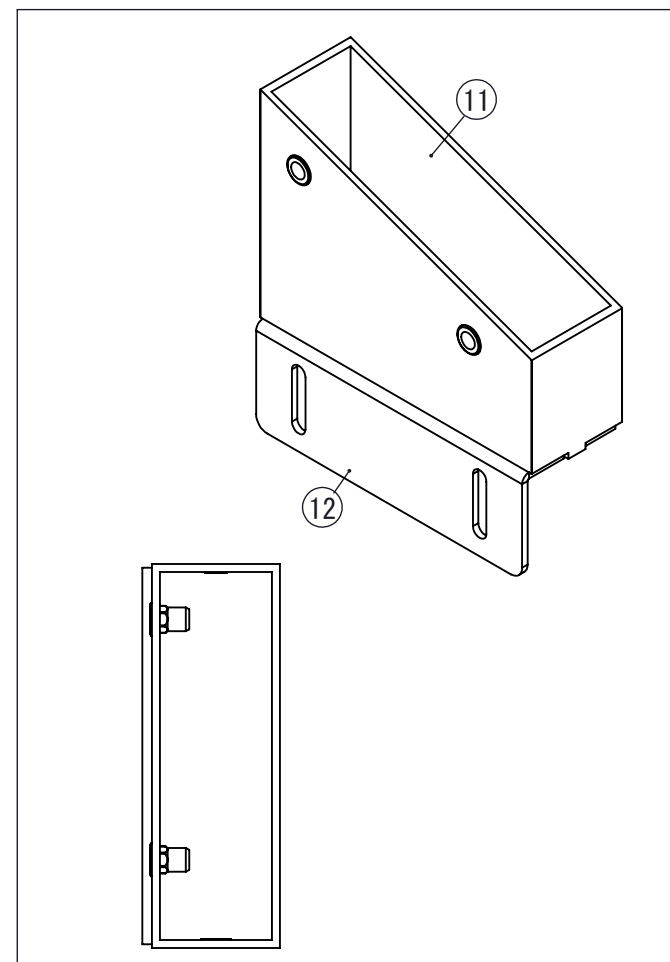
SIZE **B** DWG. NO. DTS-55-LK REV

SCALE: 1:16 WEIGHT: SHEET 3 OF 4

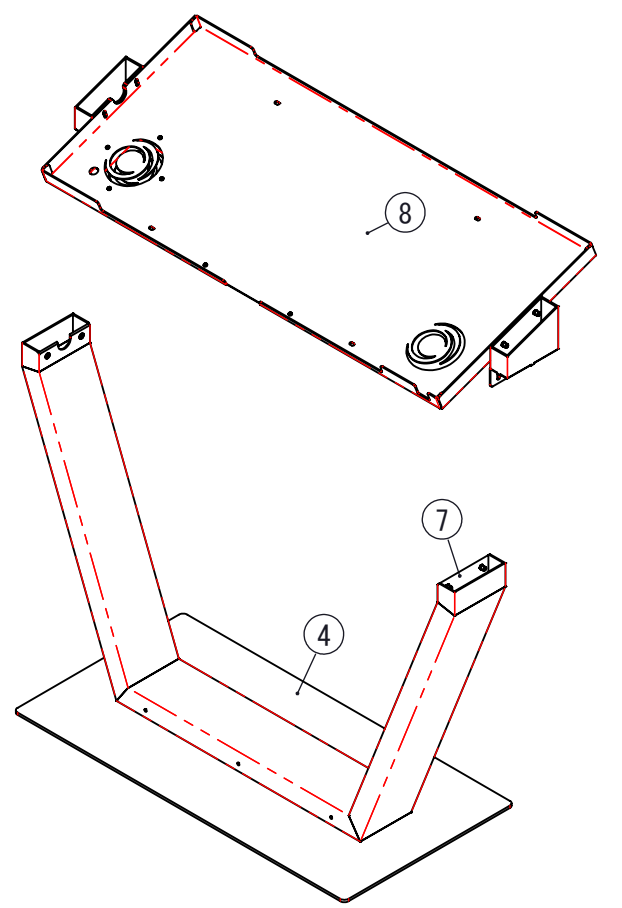
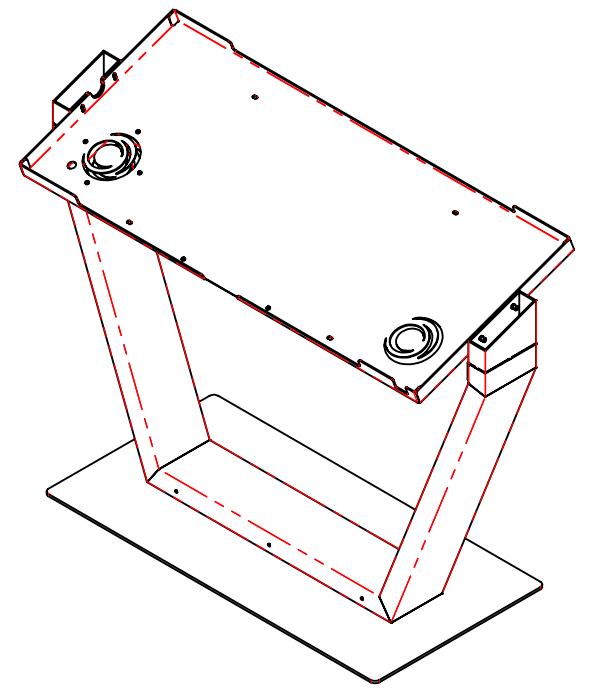
8 7 6 5 4 3 2 1



**SLANT ADD-ON  
LEFT SIDE**



**SLANT ADD-ON  
RIGHT SIDE**



THE INFORMATION CONTAINED IN THIS DRAWING IS THE SOLE PROPERTY OF DIGITAL TOUCH SYSTEMS. ANY REPRODUCTION IN PART OR AS A WHOLE WITHOUT THE WRITTEN PERMISSION OF DIGITAL TOUCH SYSTEMS IS PROHIBITED.

UNLESS OTHERWISE SPECIFIED:		NAME	DATE
DIMENSIONS ARE IN INCHES		DRAWN	
TOLERANCES:		CHECKED	
FRACTIONAL ±		ENG APPR.	
ANGULAR: MACH ± BEND ±		MFG APPR.	
TWO PLACE DECIMAL ±		Q.A.	
THREE PLACE DECIMAL ±		COMMENTS:	
INTERPRET GEOMETRIC TOLERANCING PER:			
MATERIAL			
FINISH			
DO NOT SCALE DRAWING			
TITLE:			
SIZE	DWG. NO.	REV	
<b>B</b>	DTS-55-LK		
SCALE: 1:16	WEIGHT:	SHEET 4 OF 4	