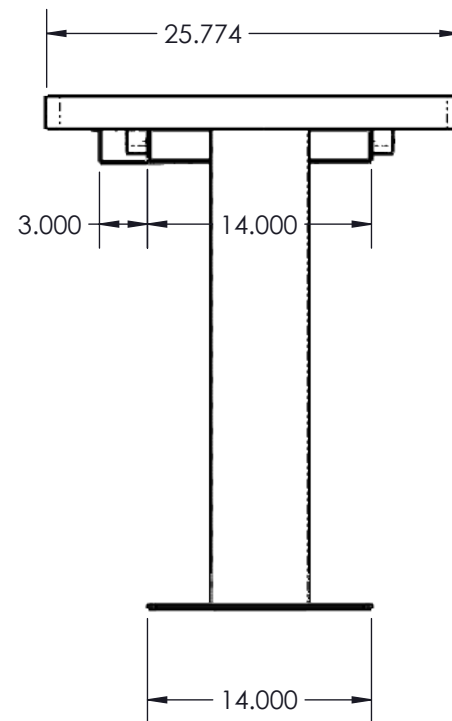
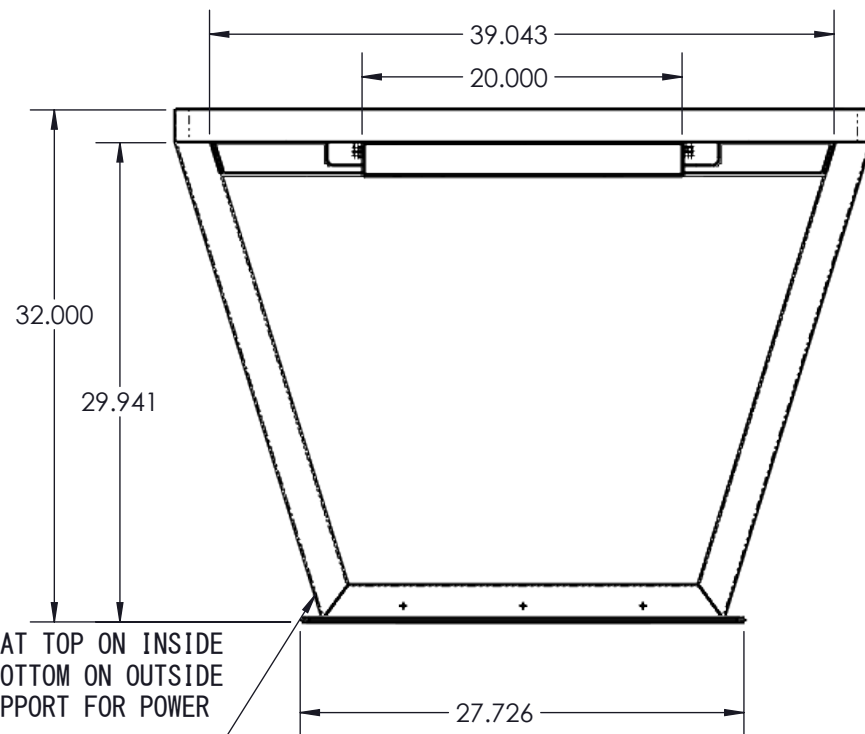
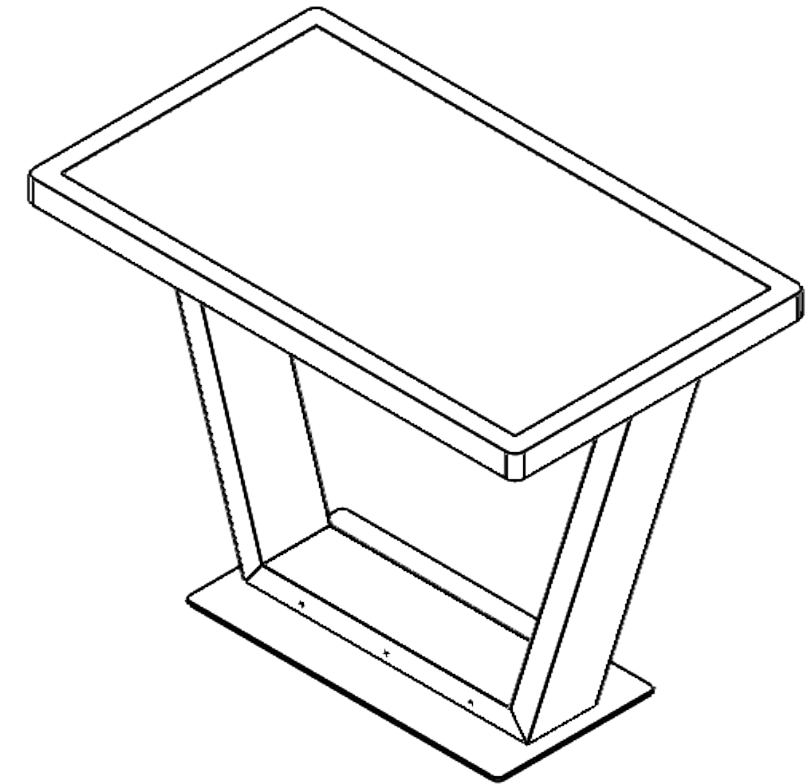
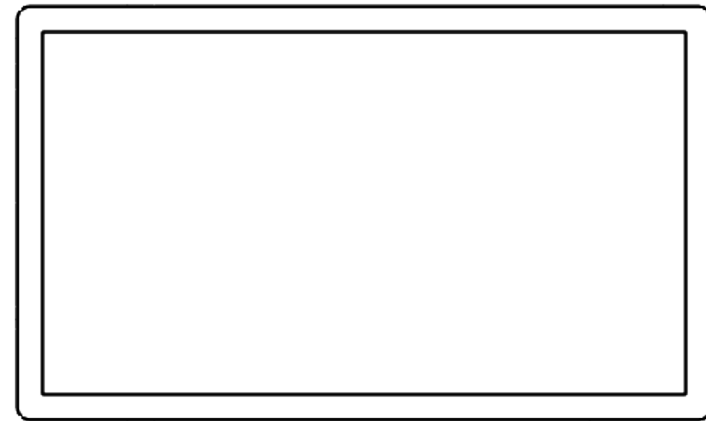


ITEM NO.	PART NUMBER	DESCRIPTION	QTY.
1	DTS-46-LK-BASE	.25" CRS	1
2	DTS-46-LK-COVER	.06 CRS	1
3	DTS-46-LK-HOLDER	12GA CRS	1
4	46 PCT	46" PCAP SCREEN FOR REFERENCE	1
5	DTS-46-LK-LEGS	2X6X1/8 AL RECT TUBING	1
6	20160627-141142-03547594	8-32 SS PEM NUT	2



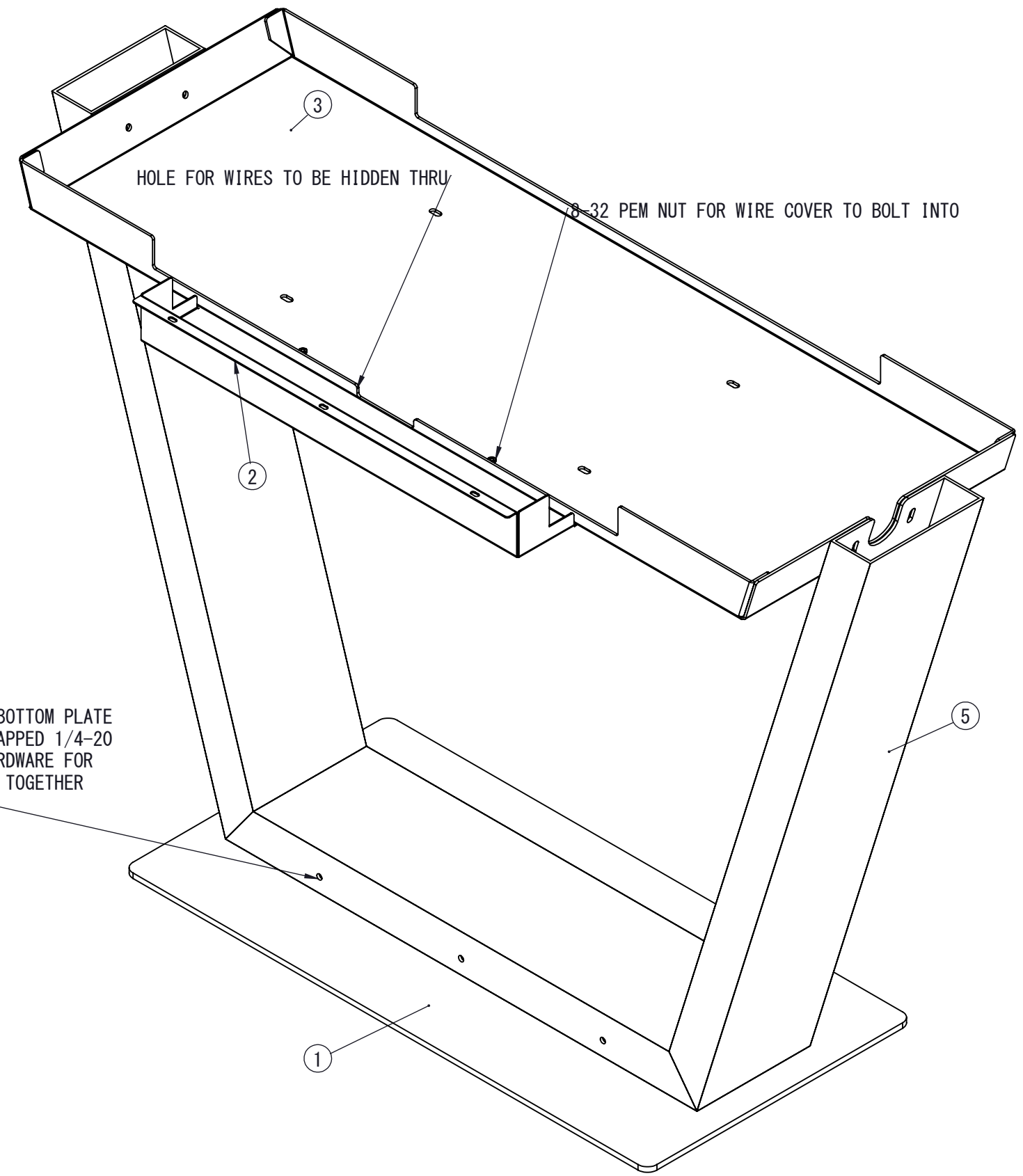
HOLE AT TOP ON INSIDE AND BOTTOM ON OUTSIDE OF SUPPORT FOR POWER CABLE

UNLESS OTHERWISE SPECIFIED:		NAME	DATE	TITLE:	
DIMENSIONS ARE IN INCHES		DRAWN	XXX		7/6/2016
TOLERANCES:		CHECKED	XXX		XX-XX-XX
FRACTIONAL ±		ENG APPR.	XXX		XX-XX-XX
ANGULAR: MACH ± BEND ±		MFG APPR.			
TWO PLACE DECIMAL ±		Q.A.			
THREE PLACE DECIMAL ±		COMMENTS:			
INTERPRET GEOMETRIC TOLERANCING PER:					
MATERIAL					
FINISH					
DO NOT SCALE DRAWING	SIZE	DWG. NO.	REV		
	<b>B</b>	DTS-46-LK	XX		
	SCALE: 1:12	WEIGHT:	SHEET 1 OF 2		

8 7 6 5 4 3 2 1

D  
C  
B  
A

D  
C  
B  
A



HOLE FOR WIRES TO BE HIDDEN THRU

Ø 3/8-32 PEM NUT FOR WIRE COVER TO BOLT INTO

-HOLES IN BOTTOM PLATE  
TO BE TAPPED 1/4-20  
-1/4-20 HARDWARE FOR  
BOLTING TOGETHER  
TABLE

UNLESS OTHERWISE SPECIFIED:		NAME	DATE	
DIMENSIONS ARE IN INCHES	DRAWN			TITLE:
TOLERANCES:	CHECKED			
FRACTIONAL ±	ENG APPR.			
ANGULAR: MACH ± BEND ±	MFG APPR.			
TWO PLACE DECIMAL ±	Q.A.			SIZE DWG. NO. REV
THREE PLACE DECIMAL ±	COMMENTS:			
INTERPRET GEOMETRIC TOLERANCING PER:				SCALE: 1:12 WEIGHT: SHEET 2 OF 2
MATERIAL				
FINISH				
DO NOT SCALE DRAWING				

8 7 6 5 4 3 2 1